



Detalles de producto **64781**



Nombre: 64781  
 Nro de Producto: 4050300229997  
 Cantidad solicitada: Estuche de cartón (FS) contiene 1 Unidad (ST)

Aplicaciones	
Posición de funcionamiento	p 15

Categorizations	
Código ANSI	FEX
LIF	P2/27

Descripción general	
Casquillo (denominación estándar)	RX7s

Datos logísticos	
Peso del producto	95,800 g

Datos técnicos eléctricos	
Potencia de construcción	2000
Tensión de construcción	230 V
Tensión de funcionamiento	230 V

Geometrías	
Diámetro	30 mm
Longitud del filamento	38.00 mm
Longitud	138.10 mm

Duración	
Duración	300 h

Datos técnicos de iluminación	
Flujo luminoso en lm	50000 lm
Temperatura de color	3200 K

Temperaturas	
Temperatura máx. admisible en la tempera	350 °C

Opciones de embalaje				
Product code	Tipo de embalaje y contenido	Dimensión en a x a x l	Peso bruto	Volumen
4050300229997	Estuche de cartón contiene 1 Unidad	58,000 mm x 58,000 mm x 164,000 mm	68,667 g (0,000 g)	0,552 dm <sup>3</sup>
4050300365961	Embalaje de envío contiene 12 Unidad	260,000 mm x 250,000 mm x 320,000 mm	1.402,500 g (0,000 g)	20,800 dm <sup>3</sup>

From their designs, halogen mains voltage lamps can be categorized as single-ended and double-ended lamps. Depending on the application, they are designed to operate on 230 V, 240 V or 120 V. The color temperature of the lamps varies according to the application: 3,400 K for maximum luminous efficacy, 3,200 K for professional film and TV work, 3,000 K or 2,900 K for applications where long life is important.

**Safety**

To prevent personal injury or damage to property, halogen lamps may only be operated in suitable luminaires designed with suitable mechanisms (protective shields, grids, etc.) to ensure that in the event of a lamp bursting no parts/shards can escape and that during operation no ultraviolet radiation can escape. There must also be a warning sign to indicate that the lamps give off high levels of heat. Detailed information is available on request.



# Technical Information

No. DO-5373



Detalles de producto **64781**

**Tungsten Halogen  
double ended**

Edition: 04/06 - subject to change

Supersedes: /  
Status: valid

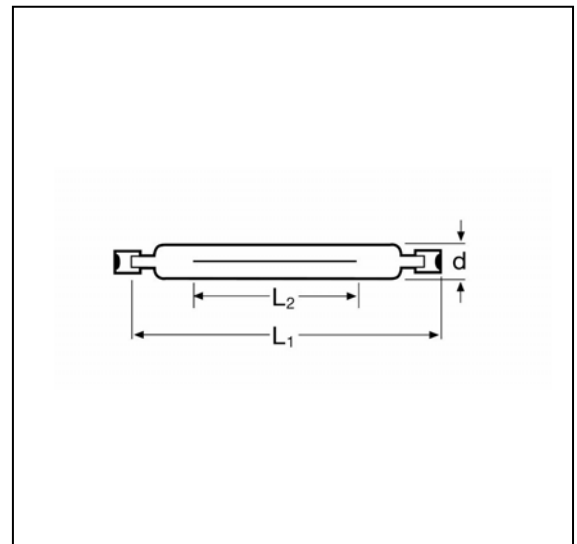
# 64781(230/240V)

## ■ Product description

The OSRAM 64781 is a double ended Tungsten halogen lamp with a RX7s socket. It is often used in open face luminaires for studio and film production.

## ■ Technical Data

Lamp / order reference		64781
ANSI		FEX
LIF		P2/27
Rated lamp wattage	W	2000
Rated lamp voltage	V	230/240
Average life-time	h	300
Color temperature	K	3200
Luminous flux	lm	50000
Base		RX7s
Diameter d	mm	30 max.
Lamp length L <sub>1</sub>	mm	138.1
Length of coil L <sub>2</sub>	mm	38
Type of coil		CC-8



## ■ Lamp operation

Max. pinch seal temperature	°C	350
Burning position		p15