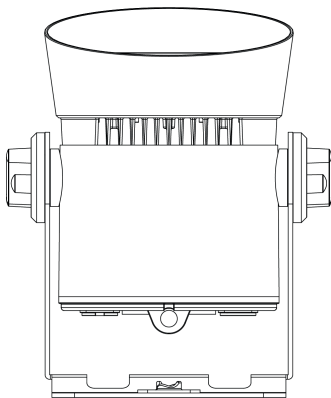




TRITON BLUE

HYDRO B140

LED BATTERY POWERED WDMX
WDMX ALIMENTADO POR BATERÍA LED



MANUAL DE USUARIO USER'S MANUAL

Este manual contiene información importante: léalo antes de poner el dispositivo en funcionamiento.

This manual contains important information: read it before operating the device.



MADE IN PRC

Digital Audimagén BQ S.L. C/Río Almazora, 1C, Getafe, 28906, Madrid, Spain

www.triton-blue.com

VERSION 2 - ABR 2025

INDEX / ÍNDICE

ENGLISH

WELCOME TO TRITON BLUE.....	1
SAFETY INSTRUCTIONS.....	1
IMPORTANT INFORMATION.....	2
PACKAGE CONTENT.....	3
SPECIFICATION.....	3
DATA SHEET.....	4
MENU STRUCTURE.....	5
ILLUMINATION DIAGRAM.....	6
DISPLAY.....	7
DMX ADDRESS MENU.....	7
OPERATE MODE MENU.....	7
CHANNELS MENU.....	8
SETTINGS MENU.....	8
WHITE BALANCE MENU.....	10
SYSTEM INFO MENU.....	10
DISPOSAL.....	10

ESPAÑOL

BIENVENIDOS A TRITON BLUE.....	11
INSTRUCCIONES DE SEGURIDAD.....	11
INFORMACIÓN IMPORTANTE.....	12
CONTENIDO DEL PAQUETE.....	13
ESPECIFICACIONES.....	13
DATA SHEET.....	14
ESTRUCTURA DEL MENÚ.....	15
DIAGRAMA DE ILUMINACIÓN.....	16
PANTALLA.....	17
MENÚ DE DIRECCIÓN DMX.....	17
MENÚ DEL MODO DE OPERACIÓN.....	17
MENÚ DE CANALES.....	18
MENÚ DE CONFIGURACIÓN.....	18
MENÚ DE BALANCE DE BLANCOS.....	20
MENÚ DE INFORMACIÓN DEL SISTEMA.....	20
RECICLAJE.....	20

DMX

DMX.....	21
----------	----

WELCOME TO TRITON BLUE

Thank you very much for choosing Triton Blue. We hope you enjoy your new product.

It has been developed and designed paying attention to the smallest details, with quality control with European standards supervised by our great team of professional technicians, who work every day to offer our customers the best quality.

We make sure that every Triton Blue product is built to last long. All our references are made with long lasting materials and our specialists are dedicated to constantly doing quality controls to guarantee the best result.

Please read carefully this manual in order to use your Triton Blue product in the best way. Do not hesitate to visit our website for further information: www.triton-blue.com

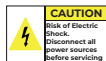
SAFETY INSTRUCTIONS

GENERAL INFORMATION

- It is important to read and follow the instructions carefully.
- Keep all information and instructions in a secure location.
- Always follow the instructions provided.
- Take note of all safety warnings and never remove them from the equipment.
- Use the equipment only as intended and for its intended purpose.
- Ensure that the stands and/or mounts used are sufficiently stable and compatible for fixed installations. Wall mounts should be properly installed and secured, and the equipment should be installed securely to prevent falls.
- When installing the equipment, be sure to observe the relevant safety regulations in your country.
- Do not install or operate the equipment near sources of heat, such as radiators, heat registers, or ovens, and ensure that it is always cooled sufficiently and cannot overheat.
- Do not place sources of ignition, such as burning candles, on the equipment.
- Keep ventilation slits unobstructed.
- Ensure that no dripping or splashed water can enter the equipment and do not place containers filled with liquids on the equipment.
- Prevent objects from falling into the equipment.
- Use the equipment only with recommended accessories intended by the manufacturer.
- Do not attempt to open or modify the equipment.
- Check all cables after connecting the equipment to prevent accidents or damage due to tripping hazards.
- During transport, take steps to prevent the equipment from falling and causing damage or injury.
- If the equipment is not functioning properly, fluids or objects have gotten inside, or is otherwise damaged, switch it off immediately and unplug it from the power outlet (if applicable). Only authorized, qualified personnel should repair the equipment.
- Clean the equipment with a dry cloth.
- Comply with all applicable disposal laws and separate plastic and paper/cardboard during packaging disposal.
- Keep plastic bags out of the reach of children.

FOR DEVICES DESIGNED TO BE CONNECTED TO THE MAIN POWER SUPPLY:

- ATTENTION: If your equipment has a power cord with a grounding plug, it must be connected to a wall outlet with a ground connection. Never remove the grounding plug from the power cord.
 - If your equipment has been exposed to extreme temperature changes, allow it to reach room temperature before turning it on. Otherwise, moisture and condensation may damage the equipment.
 - Before plugging in the equipment, make sure that the voltage and frequency of the power outlet match the specifications of the equipment. If the equipment has a voltage selector, only connect it to the power outlet if the values match. If the power cord or adapter does not fit your outlet, contact an electrician.
 - Do not step on the power cord. Make sure it is not pinched at the outlet, adapter, or equipment connection.
 - Keep the power cord or adapter within reach and disconnect the equipment from the power supply when not in use or when cleaning it. Always unplug the cord or adapter by pulling the plug or adapter, not the cord. Never touch the cord or adapter with wet hands.
 - Avoid frequently turning the equipment on and off, as this can reduce its useful life.
 - IMPORTANT: Only replace fuses with those of the same type and rating. If a fuse repeatedly blows, contact an authorized service center.
 - To completely disconnect the equipment from the power mains, unplug the power cord or adapter from the outlet.
 - If your device has a Volex power connector, the mating PowerCon connector must be unlocked before it can be removed. Be careful when laying cables, as the equipment can slide or fall if the power cord is pulled.
 - Unplug the power cord or adapter before an extended period of disuse or in case of lightning strike risk.
 - Only install the equipment when it is disconnected from the power source.
 - To prevent damage and overheating, qualified personnel should regularly clean and service the equipment depending on ambient conditions like dust, nicotine, and fog.
- If the product contains the following symbols, please, read carefully:



CAUTION: To reduce the risk of electric shock, do not remove cover (or back). There are no user serviceable parts inside. Maintenance and repairs should be exclusively carried out by qualified service personnel.



The warning triangle with lightning symbol indicates dangerous uninsulated voltage inside the unit, which may cause an electrical shock.



The warning triangle with exclamation mark indicates important operating and maintenance instructions.

IMPORTANT INFORMATION**WARNING! IMPORTANT INFORMATION REGARDING LIGHTING PRODUCTS**

1. This product is specifically designed for use in event technology and is not intended to be used as household lighting.
2. It is important to avoid looking directly at the light beam, even for a short period of time.
3. Optical instruments, such as magnifiers, should not be used to look directly at the beam.
4. If you are sensitive to strobe effects, it is possible that they could cause an epileptic seizure. If you have epilepsy, it is important to avoid places where strobe lights are being used.

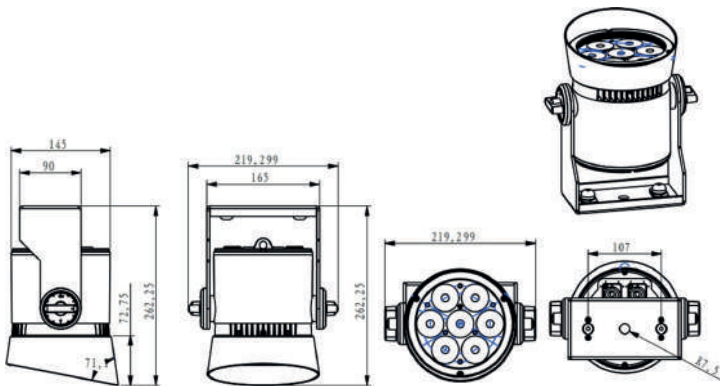
PACKAGE CONTENT

- 1 x Hydro B140
- 1 x Power cable
- 1 x XRL 5 pin cable
- 1 x Remote Control
- 1 x User Manual

SPECIFICATIONS

- 7 x 20W RGB + Lime Led Optic 10°
- 3600 Lux @5m / 10° Wireless DMX
- IR Remote control
- Auto / Static / WDMX/IRC
- DMX: 6/9/10ch Master-Slave /Audio/
- Dimensions: 213.8x 145 x 256.7 mm
- Weight: 4.2Kg
- IP65
- Compatible G3/G4 WDMX mode
- Operating time:

Colors	Battery Running Mode	Battery Running time
RGB FULL	Full mode	4 Hours + 30 minutes
RGB FULL	Med mode	6 Hours
RGB FULL	Eco mode	8 Hours



DATA SHEET

GENERAL INFO

Brand	Triton Blue
Model Name	Hydro B140
Code Number	10297601
EAN Number	7427254442524

LIGHT SOURCE

Source	7 LED 20w RGLB
Source Life Expectancy	20000 hours
Optical aperture degrees	10 °

OPTICS

Lens Diameter	41mm
Lens Type	PMMAL
Focus	No

COLOUR SYSTEM

Colour Mixing	RGLB
Colour Wheel	No

DYNAMIC EFFECTS

Animation Wheel	No
Rotation Gobos	No
Gobo Size	No
Fixed Gobos	No
FX Generator	No
Circular Prism	No
Linear Prism	No
Frost	No

BODY

Hardware on-board	Yes
Pan	No
Tilt	No
Pan/Tilt Resolution	No
Body Colour	Black

NOISE LEVEL

SLN Fan Mode	NO FAN
Auto Fan Mode	NO FAN
Theatre Fan Mode	NO FAN
Constant Fan Mode	NO FAN

CONTROL

Protocols	DMX512/ W-DMX/ CRMX(OPTIONAL) 6/9/10 Y
DMX Channels	With CRMX support RDM,With WDMX not support.
Wireless Control	LCD DISPLAY
RDM	Yes
Display	USB XRL LINK UPDATE
Display Invert	Yes
Firmware Upgrade	Yes

ELECTRONICS

Dimmer	0-100% Dimming
Dimmer Curves	Linear,EXP,S,LOG,
Strobe / Shutter	Yes
Display Battery	Yes
Operating Temperature	Yes
Led Control	Yes
Selectable PWM	2400Hz/4800Hz/9600Hz/15kHz

ELECTRICAL

Mains Power Supply	29.5V
Max Power Consumption	140W battery Version
Battery life	Eco Mode Red: 34h Green: 29h Blue: 29h Lima: 29h Full: 8h Med Mode Red: 33h Green: 28h Blue: 28h Lima: 28h Full : 6h Full Mode Red: 21h Green: 17h Blue: 17h Lima: 17h Full: 5h

PHYSICAL

IP Rating	IP65
Cooling	Aluminum cooling
Pan / Tilt Lock	No
Signal Connection	REAN XRL
Data Connection	REAN XRL
Power Connection	POWER CON TRUE ONE
Dimensions Inner Box	26.5 x 25.5 x 32
Weight	2KG
Dimensions Master Carton	55 x 53 x 33
QTY Master Carton	4
Working temperature range	-15 - 45 °C

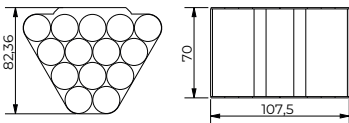
CERTIFICATIONS / APPROVALS

Certifications	CE, RoHS
----------------	----------

ACCESSORIES

Accessories Included	XRL cables, Power cables, Omega bracket
Accessories Optional	Battery Hydro B140 AB140-001

Battery Hydro B140 AB140-001



MENU STRUCTURE

The **RED** values are the default values.

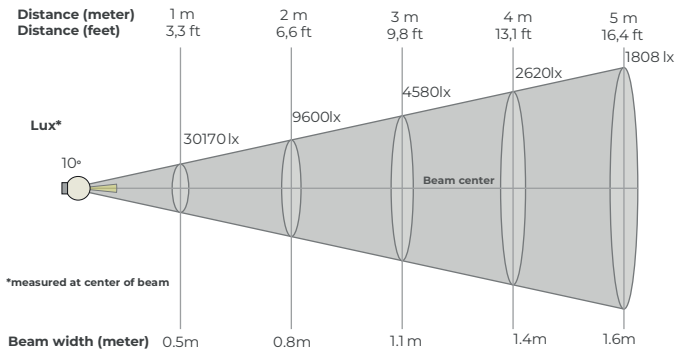
DMX Adress	xxx			
Operate Mode	Control Mode	W-DMX		
		IRC		
	Auto Mode		OFF	
			Auto01	
			Auto02	
			Auto03	
			Auto04	
			Auto05	
			Auto06	
		Auto07		
	Auto SP	000 > 100 - (50)		
	Master/Slave	Master		
		Slave		
	Sound	000 > 100% - (60)		
	Static Control	Dimmer	000-255	
		Strobe	000-255	
		Effect Macro	000-255	
		Speed	000-255	
		Color macros		
		Red	000-255	
Green		000-255		
Blue		000-255		
Lime	000-255			
Dimmer Speed		Dim0 (0s)		
		Dim1 (0,25s)		
		Dim2 (050s)		
		Dim3 (075s)		
		Dim4 (1s)		
Channels	6CH/9CH/10CH			
Setting	Hold	On		
	Blackout	Off		
	Display reverse	On/Off		
	Battery:	Eco./Med./Full		
	Dimmer Curve		Linear	
			Exp	
			Log	
			S_Curv	
	PWM Rate		600Hz	
			1200Hz	
			2400Hz	
			4800Hz	
			9600Hz	
		15K Hz		
	Black light	ON/OFF		
	Screen time	10-60S		
	Current ADJ Code: 0006	Red	XXX	
Green		XXX		
Blue		XXX		
Lime		XXX		
Temp:	60°C			
W-DMX Setting	Link/Reset			
Factory Reset	ON/OFF			

White balance	Reserved for service		
	Red	050-255	
	Green	050-255	
	Blue	050-255	
	Lime	050-255	
System info	SoftwareV:	1.00	
	DMX Level	Red	XXX
		Green	XXX
		Blue	XXX
		Lime	XXX
	Temp	XX°C	
	Operate time	XXXH	
RDM	00A6hXXXXX		

ILLUMINATION DIAGRAM

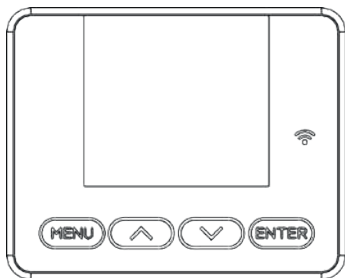
Battery Mode:

Full Mode: RGLB =255



Angle	Distance									
Beam Angle 10°	1m/3.3ft		2m/6.6ft		3m/9.8ft		4m/13.1ft		5m/16.4ft	
	Lux	Diameter M/feet	Lux	Diameter M/feet	Lux	Diameter M/feet	Lux	Diameter M/feet	Lux	Diameter M/feet
	30170Lx	0.5m	9600Lx	0.8m	4580Lx	1.1m	2620Lx	1.4m	1808Lx	1.6m

DISPLAY



Menu : To exit active submenu.

Enter : To enter the menu or confirm the active function or value.

UP: To scroll up in the menu or increase the value of the active function.

DOWN : To scroll down in the menu or decrease the value of the active function.

DMX ADDRESS MENU

DMX ADDRESS:

- Modify the DMX address using the [UP] et [DOWN] keys then validate using the [ENTER] key.

OPERATE MODE MENU

CONTROL MODE:

- Choose the control mode between W-DMX (wireless DMX) and IRC (Infrared remote control). Using the [UP] et [DOWN] keys then validate using the [ENTER] key.

To select W-DMX mode, ensure that AUTO mode is OFF and MASTER/SLAVE mode is set to SLAVE.

AUTO MODE:

- Choose one of the automatic mode options:

- [OFF] : by default.

- [AUTO01] à [AUTO07] : Automatic modes

Using the [UP] et [DOWN] keys then validate using the [ENTER] key.

AUTO SP:

- Choose the running speed of automatic programs from 0 to 100 using the [UP] and [DOWN] keys then validate using the [ENTER] key.

SOUND:

Choose the audio mode and adjust the audio sensitivity from 0 to 100 using the [UP] and [DOWN] keys then validate using the [ENTER] key.

MASTER / SLAVE:

- [MASTER] In this mode, The projector defines the W-DMX module as a transmitter and transmits the RGB Lime parameters to all the projectors connected to it. Refer to the section [W-DMX Setting] to pair the projectors [MASTER] to the [SLAVE] projectors

NOTE : In [MASTER] mode the DMX value reception function is disabled. To use unit via wireless Dmx switch projector to [SLAVE] mode.

Do not forget to validate any changes using the [UP] and [DOWN] keys and the [ENTER] key.

- [SLAVE] In this mode, The projector defines the W-DMX module as a receiver and receives all DMX information wirelessly.

STATIC CONTROL:

Define to use the projector in STATIC mode. You can adjust the different parameters such as Dimmer, Strobe, Red, Green, Blue and Lime and thus create a light state or activate automatic programs or color macros (described in the different DMX modes)

- Choose the different values from 0 to 255 using the [UP] and [DOWN] keys then validate using the [ENTER] key.

DIMMER SPEED:

In order to smooth the dimmer it is possible to implement a DIMMER SPEED to the Projector

- Choose one of the dimmer speed values using the [UP] and [DOWN] keys then validate using the [ENTER] key.

- [DIM0] : 0 seconds.

- [DIM1] : 0.25 seconds.

- [DIM2] : 0.50 seconds.

- [DIM3] : 0.75 seconds.

- [DIM4] : 1 seconds.

CHANNELS MENU

CHANNELS:

- Choose the DMX mode from 6 CH, 9 CH, 10 CH. using the [UP] and [DOWN] keys then validate using the [ENTER] key.

SETTINGS MENU

HOLD:

Choose one of these two options to set the behavior when losing the W-DMX signal using the [UP] or [DOWN] keys then validate using the [ENTER] key.

- [ON]: keeps the last value in case of loss of the W-DMX signal

- [OFF]: goes into blackout mode when losing the W-DMX signal

RDM:

- WDMX MODE Not implemented
- XLR MODE implemented

DISPLAY REVERSE

Choose one of these two options to reverse the direction of the display using the [UP] et [DOWN] keys then validate using the [ENTER] key.

- [ON]: Inverted.
- [OFF]: Normal.

BATTERY

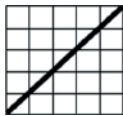
Enter this submenu to define the battery management mode using the [UP] et [DOWN] keys then validate using the [ENTER] key.

- Choose [Eco.]
- Choose [Med.]
- Choose [Full]

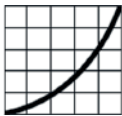
DIMMER CURVE

Enter this submenu to define the Dimmer curve using the [UP] et [DOWN] keys then validate using the [ENTER] key.

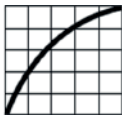
- [Linear] - The increase in light intensity is linear as the DMX value increases.
- [Exp] - Light intensity control is finer at low levels and coarser at high levels
- [Log] - Light intensity control is coarser at low levels and finer at high levels.
- [S-Curve] - Light intensity control is finer at low and high levels and coarser at medium levels.



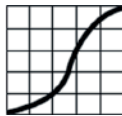
Linear Curve



Exp Curve



Log Curve



S Curve

BACKLIGHT :

- Not implemented

SCREEN TIME

Enter this submenu to define the duration before the display turns off (between 10 seconds and 60 seconds), à l'aide des touches [UP] and [DOWN] puis valider à l'aide de la touche [ENTER].

CURRENT ADJ

- Reserved for service.

TEMP

- Reserved for service.

W-DMX SETTINGS

Enter this submenu to configure Wireless DMX signal reception, using the [UP] and [DOWN] keys then validate using the [ENTER] key.

- [LINK] Enter this submenu to pair the projector with the Wireless DMX transmitter. Switch the transmitter to pairing mode then activate the [LINK] mode on the projector by validating using the [ENTER] key.

[LINK] also allows pairing to a master projector. Follow the same procedure as pairing to a wireless DMX transmitter.

- [RESET] This submenu allows you to unpair the projector from a previous wireless connection. validate using the [ENTER] key.

Note: It is mandatory to unpair the projector before pairing again.

WHITE BALANCE MENU

- Reserved for service.

SYSTEM INFO MENU

Enter this submenu to get the projector's system information:

- [Software V] To view the projector firmware version.
- [DMX Level] To display DMX values for Red, Green, Blue and Lime channels.
- [Temp] To display the projector temperature in Celsius.
- [RDM] Not applicable

DISPOSAL



Packaging:

1. The packaging can be recycled using standard disposal methods and reintroduced into the reusable material cycle.
2. Please follow the laws and regulations regarding disposal and recycling of packaging in your country.



Device:

1. This device is subject to the Waste Electrical and Electronic Equipment (WEEE) Directive of the European Union. Used appliances should not be disposed of with household waste. Used device must be disposed of through an approved disposal company or a municipal disposal facility. Please comply with the applicable regulations in your country.
2. Please follow all the disposal laws and regulations in your country.
3. As a customer, you can obtain information on environmentally-friendly disposal options from the product seller or the appropriate regional authorities.

BIENVENIDO A TRITON BLUE

Muchas gracias por elegir Triton Blue. Esperamos que disfrute de su nuevo producto. Ha sido desarrollado y diseñado cuidando hasta el más mínimo detalle, con un control de calidad con estándares europeos supervisado por nuestro gran equipo de técnicos profesionales, que trabajan día a día para ofrecer a nuestros clientes la mejor calidad.

Nos aseguramos de que cada producto Triton Blue esté diseñado para durar mucho tiempo. Todas nuestras referencias están fabricadas con materiales de larga duración y nuestros especialistas se dedican a realizar constantemente controles de calidad para garantizar el mejor resultado.

Lea atentamente este manual para utilizar su producto Triton Blue de la mejor manera. No dude en visitar nuestra web para más información: www.triton-blue.com

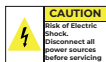
INSTRUCCIONES DE SEGURIDAD**INFORMACIÓN GENERAL**

- Es importante leer y seguir las instrucciones cuidadosamente.
- Guarde toda la información y las instrucciones en un lugar seguro.
- Siga siempre las instrucciones de este manual antes de cualquier operación con el aparato.
- Tome nota de todas las advertencias de seguridad y nunca las elimine del equipo.
- Utilice el equipo únicamente según lo previsto y para el fin previsto.
- Asegúrese de que los soportes y/o soportes utilizados sean lo suficientemente estables y compatibles para instalaciones fijas. Los soportes de pared deben asegurarse correctamente, y el equipo debe instalarse de forma segura para evitar caídas.
- Al instalar el equipo, asegúrese de observar las normas de seguridad pertinentes de su entorno legal (CE, nación, comunidad).
- No instale ni utilice el equipo cerca de fuentes de calor, como radiadores, rejillas de calor u hornos, y asegúrese de que siempre se enfríe lo suficiente y no se sobrecaliente.
- No coloque fuentes de ignición sobre el equipo, como velas encendidas y mantenga las ranuras de ventilación despejadas.
- Asegúrese de que no entren gotas o salpicaduras de agua en el equipo y no coloque recipientes llenos de líquidos sobre el equipo.
- Evite que caigan objetos dentro del equipo.
- Utilice el equipo únicamente con los accesorios recomendados por el fabricante.
- No intente abrir o modificar el equipo.
- Verifique que todos los cables estén perfectamente colocados después de conectar el equipo, para evitar accidentes o daños debido a riesgo de tropiezos.
- Durante el transporte, tome medidas para evitar que el equipo se caiga y cause daños o lesiones.
- Si el equipo no funciona correctamente, han caído líquidos u objetos en su interior o está dañado, apáguelo inmediatamente y desenchúfelo de la toma de corriente (si corresponde). Solo personal autorizado y cualificado debe reparar el equipo.
- Limpie el equipo con un paño seco.
- Cumpla con las leyes y recomendaciones de eliminación de residuos aplicables, separe el plástico y el papel/cartón para desechar el embalaje.
- Mantenga las bolsas de plástico fuera del alcance de los niños.

PARA DISPOSITIVOS DISEÑADOS PARA SER CONECTADOS A LA FUENTE DE ALIMENTACIÓN PRINCIPAL:

- ATENCIÓN: Si su equipo tiene un cable de alimentación con un enchufe con conexión a tierra, debe conectarse a la red eléctrica con conexión a tierra. Nunca retire la conexión a tierra del cable de alimentación.
- Si su equipo ha estado expuesto a cambios extremos de temperatura, permita que alcance la temperatura ambiente antes de encenderlo. De lo contrario, la humedad y la condensación pueden dañar el equipo.
- Antes de enchufar el equipo, asegúrese de que el voltaje y la frecuencia coincidan con las especificaciones del equipo. Si el equipo dispone de selector de tensión, sólo conéctelo a la toma de corriente si los valores coinciden. Si el cable de alimentación o el adaptador no se ajustan a su toma de corriente, comuníquese con un electricista.
- No pise el cable de alimentación. Asegúrese de que no esté doblado en la toma de corriente, el adaptador o la conexión del equipo.
- Mantenga el cable de alimentación o el adaptador al alcance de la mano y desconecte el equipo de la fuente de alimentación cuando no esté en uso o cuando lo esté limpiando. Desenchufe siempre el cable o el adaptador tirando del enchufe o del adaptador, no del cable. Nunca toque el cable o el adaptador con las manos mojadas.
- Evite encender y apagar el equipo con frecuencia, ya que esto puede reducir su vida útil.
- IMPORTANTE: Solo reemplace los fusibles con aquellos del mismo tipo y clasificación. Si un fusible se quema repetidamente, comuníquese con un centro de servicio autorizado.
- Para desconectar completamente el equipo de la red eléctrica, desenchufe el cable de alimentación o el adaptador de la toma de corriente.
- Si su dispositivo tiene un conector de alimentación PowerCon, el conector correspondiente debe desbloquearse antes de poder retirarlo. Tenga cuidado al tender los cables, ya que el equipo puede deslizarse o caerse si se tira del cable de alimentación.
- Desenchufe el cable de alimentación o el adaptador antes de un período prolongado de desuso o en caso de riesgo de tormenta eléctrica y/o caída de rayos.
- Instale el equipo únicamente cuando esté desconectado de la fuente de alimentación.
- Para evitar daños y sobrecalentamiento, personal cualificado debe limpiar el equipo con regularidad según las condiciones ambientales, como polvo, nicotina y niebla.

Si el producto contiene los siguientes símbolos, lea atentamente:



PRECAUCIÓN: Para reducir el riesgo de descarga eléctrica, no retire la tapa (o la parte trasera). No hay partes reparables por el usuario en el interior del aparato. El mantenimiento y las reparaciones deben ser realizados exclusivamente por personal de servicio cualificado.



El triángulo de advertencia con el símbolo de un rayo indica un voltaje no aislado peligroso dentro de la unidad, que puede causar una descarga eléctrica.



El triángulo de advertencia con signo de exclamación indica instrucciones importantes de operación y mantenimiento.

INFORMACIÓN IMPORTANTE

¡ADVERTENCIA! INFORMACIÓN IMPORTANTE SOBRE PRODUCTOS DE ILUMINACIÓN

1. Este producto está diseñado específicamente para su uso profesional y no está diseñado para usarse como iluminación doméstica.
2. Es importante evitar mirar directamente al haz de luz, incluso durante un breve período de tiempo.
3. No se deben utilizar instrumentos ópticos, como lentes, para mirar directamente al haz.
4. Si es sensible a los efectos estroboscópicos, es posible que le provoquen un ataque epiléptico. Si tiene epilepsia, es importante evitar los lugares donde se usan luces estroboscópicas.

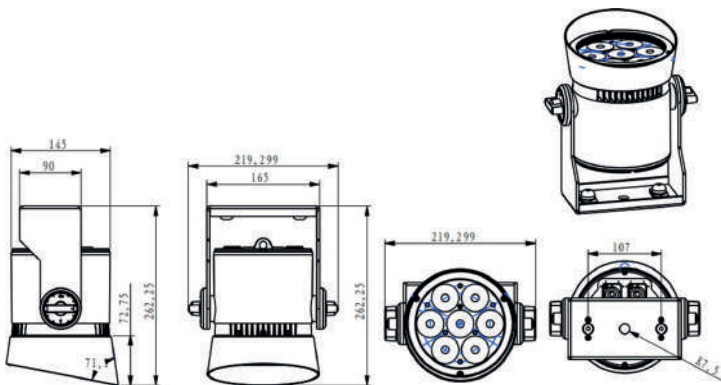
CONTENIDO DEL PAQUETE

- 1 x Hydro B140
- 1 x Cable de alimentación
- 1 x Cable XLR de 5 pines
- 1 x Control remoto
- 1 x Manual de usuario

ESPECIFICACIONES

- 7 x 20W RGB + Óptica Led Lime 10°
- 3600 Lux @5m / 10° DMX inalámbrico
- Control remoto IR
- Auto / Estático / WDMX/IRC
- DMX: 6/9/10ch Master-Slave /Audio/
- Dimensiones: 213,8x 145 x 256,7 mm
- Peso: 4,2Kg
- IP65
- Compatible con modo WDMX G3/G4
- Tiempo de funcionamiento: hasta 20H con un color

Colores	Modo de funcionamiento de la batería	Duración de la batería
RGB COMPLETO	Modo completo	4 horas + 30 minutos
RGB COMPLETO	Modo medio	6 horas
RGB COMPLETO	Modo eco	8 horas



DATA SHEET

INFORMACIÓN GENERAL

Marca	Triton Blue
Nombre del modelo	Hydro B140
Número de código	10297601
Número EAN	7427254442524

FUENTE DE LUZ

Fuente	7 LEDX 20w RGBL
Fuente Esperanza de vida	20000 horas
Grados de apertura óptica	10 °

ÓPTICA

Diámetro de la lente	41mm
Tipo de lente	PMMAL
Enfoque	No

SISTEMA DE COLOR

Mezcla de colores	RGBL
Rueda de colores	No

EFECTOS DINÁMICOS

Rueda de animación	No
Gobos de rotación	No
Tamaño de gobo	No
Gobos fijos	No
Generador de efectos	No
Prisma circular	No
Prisma lineal	No
Escarcha	No

CUERPO

Hardware integrado	Sí
Pan	No
Inclinación	No
Resolución de giro e inclinación	No
Color del cuerpo	Negro

NIVEL DE RUIDO

Modo de ventilador SLN	SIN VENTILADOR
Modo de ventilador automático	SIN VENTILADOR
Modo de ventilador de cine	SIN VENTILADOR
Modo de ventilador constante	SIN VENTILADOR

CONTROL

Protocolos	DMX512/ W-DMX/ CRMX (OPCIONAL)
Canales DMX	6/9/10
Control inalámbrico	Y
RDM	Con CRMX, compatible con RDM; con WDMX, no compatible.
Pantalla	PANTALLA LCD
Inversión de pantalla	Sí
Actualización de firmware	ACTUALIZACIÓN DEL ENLACE USB XRL

ELECTRÓNICA

Dimmer	0-100% Dimming
Curvas dimmer	Linear,EXP,S,LOG,
Luz estroboscópica/obturador	Yes
Pantalla Batería	Yes

Temperatura de funcionamiento	Yes
Control de LED	Yes
PWM seleccionable	2400Hz/4800Hz/9600Hz/15kHZ

ELÉCTRICO

Alimentación de red	29.5V
Consumo máximo de energía	140W battery Version
Duración batería	Eco Mode Red: 34h Green: 29h Blue: 29h Lima: 29h Full: 8h Med Mode Red: 33h Green: 28h Blue: 28h Lima: 28h Full : 6h Full Mode Red: 21h Green: 17h Blue: 17h Lima: 17h Full: 5h

FÍSICO

Clasificación IP	IP65
Refrigeración	Aluminum cooling
Bloqueo de giro/inclinación	No
Conexión de señal	REAN XRL
Conexión de datos	REAN XRL
Conexión de alimentación	POWER CON TRUE ONE
Dimensiones de la caja interior	26.5 x 25.5 x 32
Peso	2KG
Dimensiones de la caja principal	55 x 53 x 33
Cantidad en la caja principal	4
Rango de temperatura de funcionamiento	-15 - 45 °C

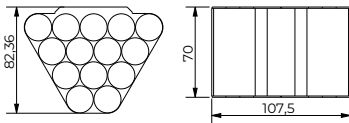
CERTIFICACIONES / APROBACIONES

Certificaciones	CE, RoHS
-----------------	----------

ACCESORIOS

Accesorios incluidos	Accesorios incluidos Cables XRL, cables de alimentación, soporte Omega
Accesorios opcionales	Battery Hydro B140

Battery Hydro B140 AB140-001



ESTRUCTURA DEL MENÚ

Los valores **ROJOS** son los valores predeterminados.

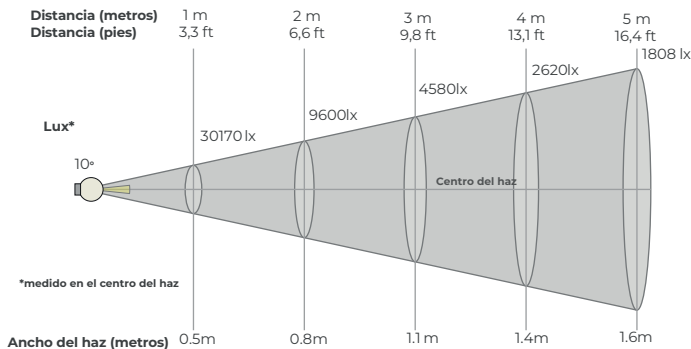
Dirección DMX	xxx			
Modo de funcionamiento	Modo de control	W-DMX		
	Modo automático	IRC		
		OFF		
		Auto01		
		Auto02		
		Auto03		
		Auto04		
		Auto05		
		Auto06		
	Auto07			
	SP automático	000 > 100 - (50)		
	Maestro/esclavo	esclavo		
	Sonido	000 > 100% - (60)		
	Control estático	Dimmer		000-255
		Estroboscópico		000-255
		Efecto macro		000-255
		Velocidad		000-255
		Macros de color		
Rojo			000-255	
Verde			000-255	
Azul			000-255	
Velocidad del regulador de intensidad	Lima		000-255	
	Dim0 (0s)			
	Dim1 (0,25s)			
	Dim2 (050s)			
	Dim3 (075s)			
	Dim4 (1s)			
Canales	6CH/9CH/10CH			
Configuración	Sostener	On		
	Apagón	Off		
	Reproducir en reverso	On/Off		
	Batería:	Eco./Med./Full		
	Curva de atenuación	Linear		
		Exp		
		Log		
		S_Curv		
	Tasa PWM	600Hz		
		1200Hz		
		2400Hz		
		4800Hz		
		9600Hz		
		15K Hz		
	Luz negra	ON/OFF		
	Tiempo frente a la pantalla	10-60S		
	ADJ código actual: 0006	Rojo		XXX
		Verde		XXX
Azul			XXX	
Lima			XXX	
Temperatura:	60°C			
Configuración W-DMX	Enlace/Restablecer			
Restablecimiento de fábrica	ON/OFF			

		Reservado para el servicio	
Balance de blancos	Rojo	050-255	
	Verde	050-255	
	Azul	050-255	
	Lima	050-255	
		050-255	
Información del sistema	Software:	1.00	
	Nivel DMX	Rojo	XXX
		Verde	XXX
		Azul	XXX
		Lima	XXX
	Temp	XX°C	
	Tiempo de funcionamiento	XXXH	
RDM	00A6hXXXXX		

DIAGRAMA DE ILUMINACIÓN

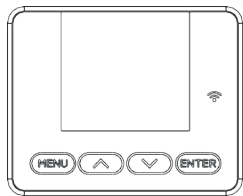
Modo de batería:

Modo completo: RGLB = 255



Ángulo	Distancia									
Ángulo del haz 10°	1m/3.3ft		2m/6.6ft		3m/9.8ft		4m/13.1ft		5m/16.4ft	
	Lux	Diámetro M/ft	Lux	Distancia M/ft	Lux	Distancia M/ft	Lux	Distancia M/ft	Lux	Distancia M/ft
	30170Lx	0.5m	9600Lx	0.8m	4580Lx	1.1m	2620Lx	1.4m	1808Lx	1.6m

PANTALLA



Menú: para salir del submenú activo.

Enter: para ingresar al menú o confirmar la función o el valor activo.

UP: para desplazarse hacia arriba en el menú o aumentar el valor de la función activa.

DOWN: para desplazarse hacia abajo en el menú o disminuir el valor de la función activa.

MENÚ DE DIRECCIÓN DMX

DIRECCIÓN DMX:

- Modifique la dirección DMX mediante las teclas [UP] y [DOWN] y luego valide mediante la tecla [ENTER].

MENÚ DEL MODO DE OPERACIÓN

MODO DE CONTROL:

- Elija el modo de control entre W-DMX (DMX inalámbrico) e IRC (mando a distancia por infrarrojos). Utilice las teclas [UP] y [DOWN] y luego valide con la tecla [ENTER].

Para seleccionar el modo W-DMX, asegúrese de que el modo AUTO esté en OFF y el modo MASTER/SLAVE esté configurado en SLAVE.

MODO AUTOMÁTICO:

- Elija una de las opciones de modo automático:

- [OFF]: por defecto.

- [AUTO01] a [AUTO07]: modos automáticos

Utilice las teclas [UP] y [DOWN] y luego valide con la tecla [ENTER].

AUTO SP:

- Seleccione la velocidad de funcionamiento de los programas automáticos de 0 a 100 con las teclas [UP] y [DOWN] y luego valide con la tecla [ENTER].

SOUND:

Seleccione el modo de audio y ajuste la sensibilidad de audio de 0 a 100 con las teclas [UP] y [DOWN] y luego valide con la tecla [ENTER].

MASTER / SLAVE:

- [MASTER] En este modo, el proyector define el módulo W-DMX como transmisor y transmite los parámetros RGB Lime a todos los proyectores conectados a él. Consulte la sección [W-DMX Setting] para emparejar los proyectores [MASTER] con los proyectores [SLAVE]

NOTA: En el modo [MASTER], la función de recepción de valores DMX está deshabilitada. Para utilizar la unidad a través de Dmx inalámbrico, cambie el proyector al modo [SLAVE]. No olvide validar cualquier cambio utilizando las teclas [UP] y [DOWN] y la tecla [ENTER].

- [SLAVE] En este modo, el proyector define el módulo W-DMX como receptor y recibe toda la información DMX de forma inalámbrica.

CONTROL ESTÁTICO:

Define el uso del proyector en modo ESTÁTICO. Puedes ajustar los diferentes parámetros como Dimmer, Strobe, Red, Green, Blue y Lime y así crear un estado de luz o activar programas automáticos o macros de color (descritos en los diferentes modos DMX)

- Elige los diferentes valores de 0 a 255 usando las teclas [UP] y [DOWN] y luego valida usando la tecla [ENTER].

VELOCIDAD DEL DIMMER:

Para suavizar el dimmer es posible implementar una VELOCIDAD DEL DIMMER en el Proyector

- Elige uno de los valores de velocidad del dimmer usando las teclas [UP] y [DOWN] y luego valida usando la tecla [ENTER].

- [DIM0] : 0 segundos.
- [DIM1] : 0,25 segundos.
- [DIM2] : 0,50 segundos.
- [DIM3] : 0,75 segundos.
- [DIM4] : 1 segundo.

MENÚ DE CANALES

CANALES:

- Elija el modo DMX entre 6 CH,9 CH,10 CH. utilizando las teclas [UP] y [DOWN] luego valide utilizando la tecla [ENTER].

MENÚ DE CONFIGURACIÓN

HOLD:

Elija una de estas dos opciones para configurar el comportamiento del s cuando se pierde la señal W-DMX utilizando las teclas [UP] y [DOWN] y luego valide utilizando la tecla [ENTER].

- [ON]: mantiene el último valor en caso de pérdida de la señal W-DMX
- [OFF]: pasa al modo blackout cuando se pierde la señal W-DMX

RDM:

- MODO WDMX No implementado
- MODO XLR implementado

DISPLAY REVERSE

Elija una de estas dos opciones para invertir la dirección de la pantalla utilizando las teclas [UP] y [DOWN] y luego valide utilizando la tecla [ENTER].

- [ON]: Invertido.
- [OFF]: Normal.

BATTERY

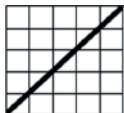
Ingrese a este submenú para definir el modo de gestión de la batería utilizando las teclas [UP] y [DOWN] y luego valide utilizando la tecla [ENTER].

- Seleccione [Eco.]
- Seleccione [Med.]
- Seleccione [Full]

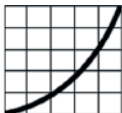
CURVA DE ATENUADOR

Ingrese a este submenú para definir la curva de atenuación utilizando las teclas [UP] y [DOWN] y luego valide utilizando la tecla [ENTER].

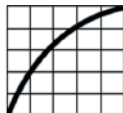
- [Lineal] - El aumento en la intensidad de la luz es lineal a medida que aumenta el valor DMX.
- [Exp] - El control de la intensidad de la luz es más preciso en niveles bajos y más grueso en niveles altos.
- [Log] - El control de la intensidad de la luz es más grueso en niveles bajos y más fino en niveles altos.
- [Curva S] - El control de la intensidad de la luz es más preciso en niveles bajos y altos y más grueso en niveles medios.



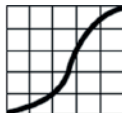
Curva lineal



Curva Exp



Curva logarítmica



Curva S

RETROILUMINACIÓN:

- No implementado

TIEMPO DE PANTALLA

Entra en este submenú para definir el tiempo que debe transcurrir antes de que se apague la pantalla (entre 10 segundos y 60 segundos), pulsando las teclas [UP] y [DOWN] y luego pulsando la tecla [ENTER].

AJUSTE ACTUAL

- Reservado para el servicio.

TEMPERATURA

- Reservado para el servicio.

CONFIGURACIÓN W-DMX

Entra en este submenú para configurar la recepción de la señal DMX inalámbrica, utilizando las teclas [UP] y [DOWN] y luego valida con la tecla [ENTER].

- [LINK] Entra en este submenú para emparejar el proyector con el transmisor DMX inalámbrico. Cambia el transmisor al modo de emparejamiento y luego activa el modo [LINK] en el proyector validando con la tecla [ENTER].

[LINK] también permite el emparejamiento con un proyector maestro. Sigue el mismo procedimiento que para el emparejamiento con un transmisor DMX inalámbrico.

- [RESET] Este submenú le permite desvincular el proyector de una conexión inalámbrica anterior. Valide con la tecla [ENTER].

Nota: Es obligatorio desvincular el proyector antes de volver a vincularlo.

MENÚ DE BALANCE DE BLANCOS

- Reservado para servicio.

MENÚ DE INFORMACIÓN DEL SISTEMA

Ingrese a este submenú para obtener la información del sistema del proyector:

- [Software V] Para ver la versión del firmware del proyector.

- [DMX Level] Para mostrar los valores DMX de los canales Rojo, Verde, Azul y Lima.

- [Temp] Para mostrar la temperatura del proyector en grados Celsius.

- [RDM] No aplicable

RECICLAJE**Embalaje:**

1. El embalaje puede ser reciclado utilizando métodos de eliminación estándar y reintroducido en el ciclo de materiales reutilizables.
2. Por favor, sigue las leyes y regulaciones relativas a la eliminación y el reciclaje del embalaje en tu país.

Dispositivo:

1. Este dispositivo está sujeto a la Directiva de Residuos de Equipos Eléctricos y Electrónicos (WEEE) de la Unión Europea. Los aparatos electrónicos usados no deben ser eliminados con los residuos domésticos. Los dispositivos usados deben ser eliminados a través de una empresa de eliminación aprobada o una instalación de eliminación municipal. Por favor, cumple con las regulaciones aplicables en tu país.
2. Por favor, sigue todas las leyes y regulaciones de eliminación en tu país.
3. Como cliente, puedes obtener información sobre opciones de eliminación respetuosas con el medio ambiente del vendedor del producto o las autoridades regionales apropiadas.

DMX

6 Channel

Channel	Effect	Value
CH1	MASTER DIMMER	000-255
CH2	STROBE	000-255
CH3	RED	000-255
CH4	GREEN	000-255
CH5	BLUE	000-255
CH6	LIME	000-255

9 Channel

Channel	Effect	Value	Description
CH1	DIMMER	000-255	DIMMER FROM 0% TO 100%
CH2	STROBE	000-005	NO STROBE
		006-063	STROBE FROM SLOW TO FAST
		064-191	STROBE LIGHTNING FROM SLOW TO FAST
		192-255	RANDOM STROBE FROM SLOW TO FAST
CH3	EFFECT MACROS	000-005	No EFFECT
		006-041	AUTO 01
		042-077	AUTO 02
		078-112	AUTO 03
		114-147	AUTO 04
		148-182	AUTO 05
		183-217	AUTO 06
		218-255	AUDIO 01
CH4	EFFECT MACROS SPEED	000-255	FROM SLOW TO FAST
CH5	COLOR MACRO	000-007	EMPTY
		008-015	Macro color 1
		016-023	Macro color 2
		024-031	Macro color 3
		032-039	Macro color 4
		040-047	Macro color 5
		048-055	Macro color 6
		056-063	Macro color 7
		064-071	Macro color 8
		072-079	Macro color 9
		080-087	Macro color 10
		088-095	Macro color 11
		096-103	Macro color 12
		104-111	Macro color 13
		112-119	Macro color 14
		120-127	Macro color 15
		128-135	White 2700K
		136-143	White 3200K
		144-151	White 3600K
		152-159	White 4000K
		160-167	White 4500K
		168-175	White 5000K
		176-183	White 5600K
184-191	White 6000K		
192-197	White 6500K		

CH5	COLOR MACRO	192-197	White 6500K
		198-205	White 7000K
		206-213	White 7500K
		214-221	White 8000K
		222-229	White 8500K
		230-243	White 9000K
		244-255	White 10000K
CH6	RED	000-255	INTENSITY FROM 0% TO 100%
CH7	GREEN	000-255	INTENSITY FROM 0% TO 100%
CH8	BLUE	000-255	INTENSITY FROM 0% TO 100%
CH9	LIME	000-255	INTENSITY FROM 0% TO 100%

10 Channel

Channel	Effect	Value	Description
CH1	DIMMER	000-	DIMMER FROM 0% TO 100%
CH2	DIMMER FINE	65535	
CH3	STROBE	000-003	NO STROBE
		004-063	STROBE FROM SLOW TO FAST
		064-150	STROBE LIGHTNING FROM SLOW TO FAST
		151-255	RANDOM STROBE FROM SLOW TO FAST
CH4	AUTO PROGRAMS	000	IDLE
		001-032	AUTO 01
		033-064	AUTO 02
		065-95	AUTO 03
		096-128	AUTO 04
		129-160	AUTO 05
		161-192	AUTO 06
		193-224	AUDIO 01
		225-255	AUDIO 02
CH5	AUTO PROGRAMS SPEED	000-255	FROM SLOW TO FAST
CH6	COLOR MACRO	000-009	IDLE
		010-015	WHITE 10000 °K
		016-021	WHITE 9000 °K
		022-027	WHITE 8500 °K
		028-033	WHITE 8000 °K
		160-167	White 4500K
		168-175	White 5000K
		176-183	White 5600K
		184-191	White 6000K
		192-197	White 6500K
		198-205	White 7000K
		206-213	White 7500K
		214-221	White 8000K
		222-229	White 8500K
		230-243	White 9000K
244-255	White 10000K		
CH6	RED	000-255	INTENSITY FROM 0% TO 100%
CH7	GREEN	000-255	INTENSITY FROM 0% TO 100%
CH8	BLUE	000-255	INTENSITY FROM 0% TO 100%
CH9	LIME	000-255	INTENSITY FROM 0% TO 100%
		244-255	White 10000K

CH10	CONTROL	000-036	No effect
		037-074	BATTERY Full (WAIT 10S+CH2=100)
		075-111	BATTERY MED. (WAIT 10S+CH2=100)
		112-148	BATTERY ECO. (WAIT 10S+CH2=100)
		149-184	UNLINK (WAIT 10S+CH2=100)
		186-222	FACTORY RESET (WAIT 10S+CH2=100)
		223-255	No function

THIS DOCUMENT MAY BE SUBJECT TO MISPRINTS, ERRORS OR TECHNICAL MODIFICATIONS.
 ESTE DOCUMENTO PUEDE ESTAR SUJETO A FALLOS DE IMPRESIÓN, ERRORES O MODIFICACIONES TÉCNICAS

Digital Audimagen BQ S.L. C/Río Almanzora, 1C, Getafe, 28906, Madrid, Spain

Made in PRC

www.triton-blue.com

VERSION 2 ABR 2025





TRITON BLUE

Más Información | More info at
www.triton-blue.com