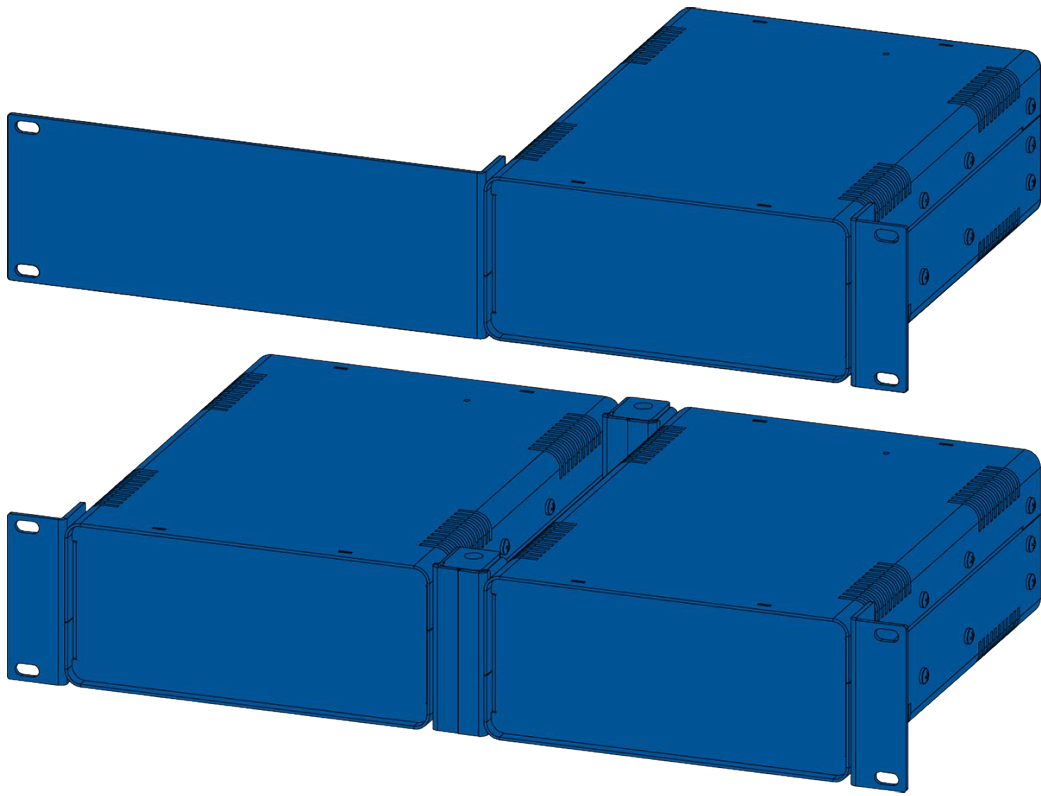


ProPlex[®]

D A T A D I S T R I B U T I O N



RackMount Kits User Guide

Overview

ProPlex RackMount Kits are designed to allow easy rack mounting of ProPlex PortableMount units.

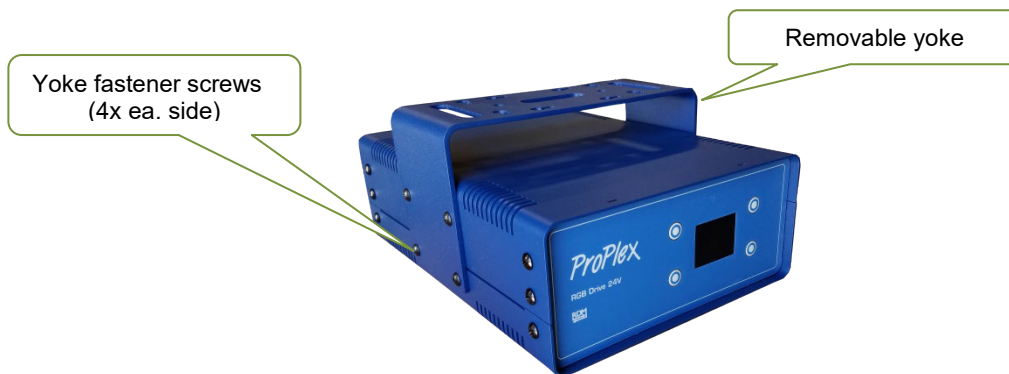
ProPlex RackMount Kits are available in the following formats:

PP1RMKITSS	ProPlex 1U RackMount Kit, Small, Single – IQ Mini, Opto Mini, FOH Friend, LTC Devices
PP1RMKITSD	ProPlex 1U RackMount Kit, Small, Dual – IQ Mini, Opto Mini, FOH Friend, LTC Devices
PP1RMKITMS	ProPlex 1U RackMount Kit, Medium, Single – GBS Mini
PP1RMKITMD	ProPlex 1U RackMount Kit, Medium, Dual – GBS Mini
PP2RMKITLS	ProPlex 2U RackMount Kit, Large, Single – PortableMount: IMS, Mozart, FloppyDrive, IQ Two 66, Opto 2x8
PP2RMKITLD	ProPlex 2U RackMount Kit, Large, Dual – PortableMount: IQ Two 66, Opto 2x8. <i>Note: PortableMount IMS, Mozart, or FloppyDrives must not be coupled together with Dual RackMount Kits (see item 3 below).</i>

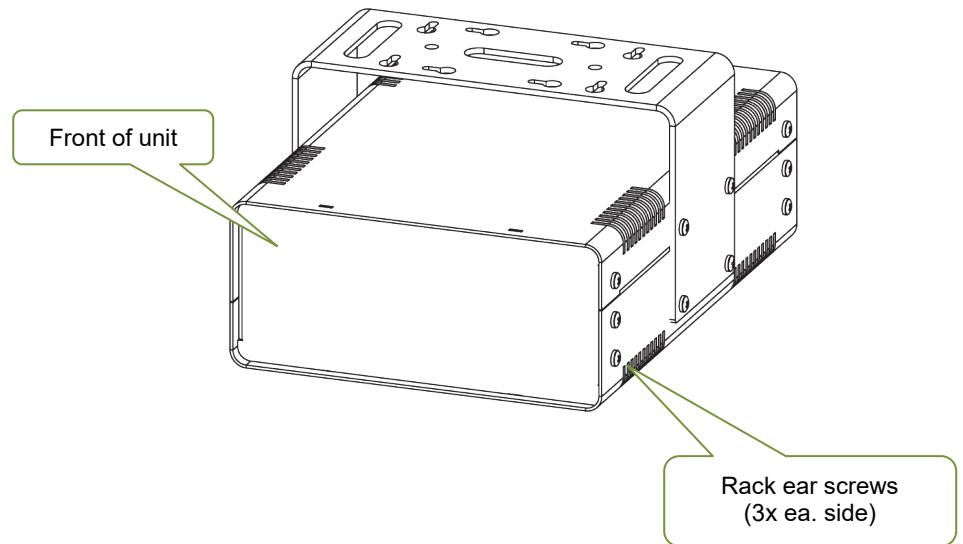
Instructions and Safety Warnings

- 1) ProPlex PortableMount enclosures include a yoke for truss mounting. Before attaching any RackMount Kit, remove the yoke by unscrewing the four Phillips-head screws which fasten the yoke to the chassis.

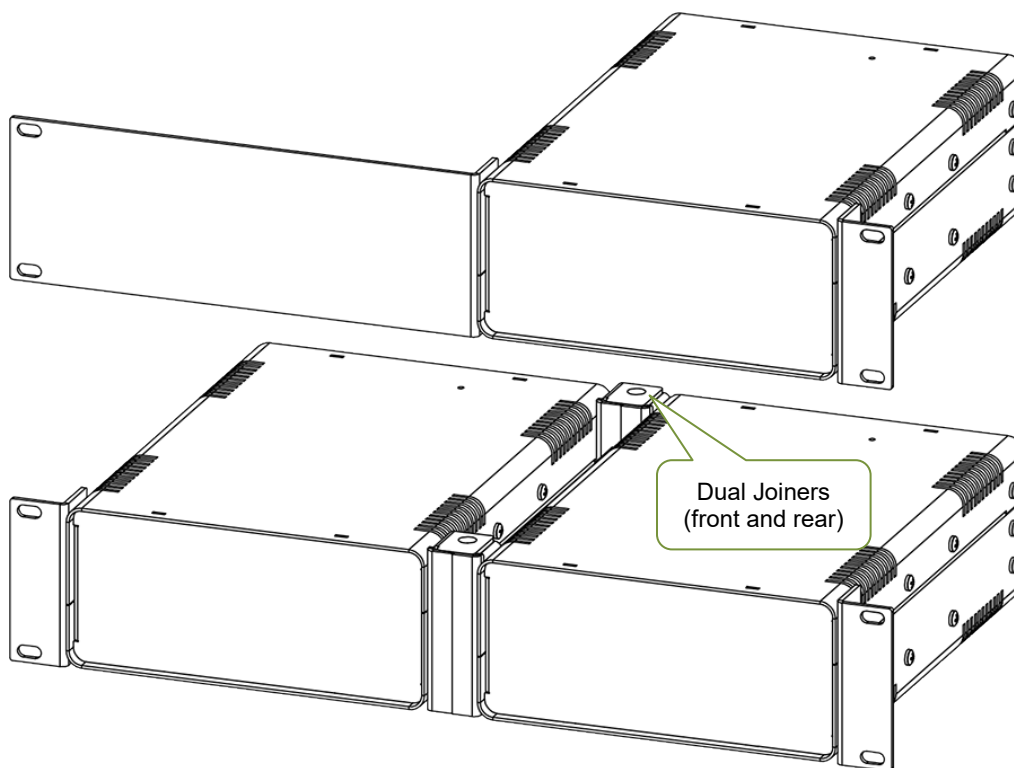
Important: Regardless of the configuration of the specific RackMount Kit being installed, all original yoke screws must be installed back into the ProPlex PortableMount device.



- 2) The 2U RackMount Kit Single is comprised of two rack ears, one long and one short. To fasten the ears to the ProPlex PortableMount chassis, remove the three chassis screws on each side that align with the rack ear mounting holes at the front of the chassis. Then use the same screws to securely fasten the ears to the chassis, per below illustrations. The short and long ears can be mounted to either side of the chassis.

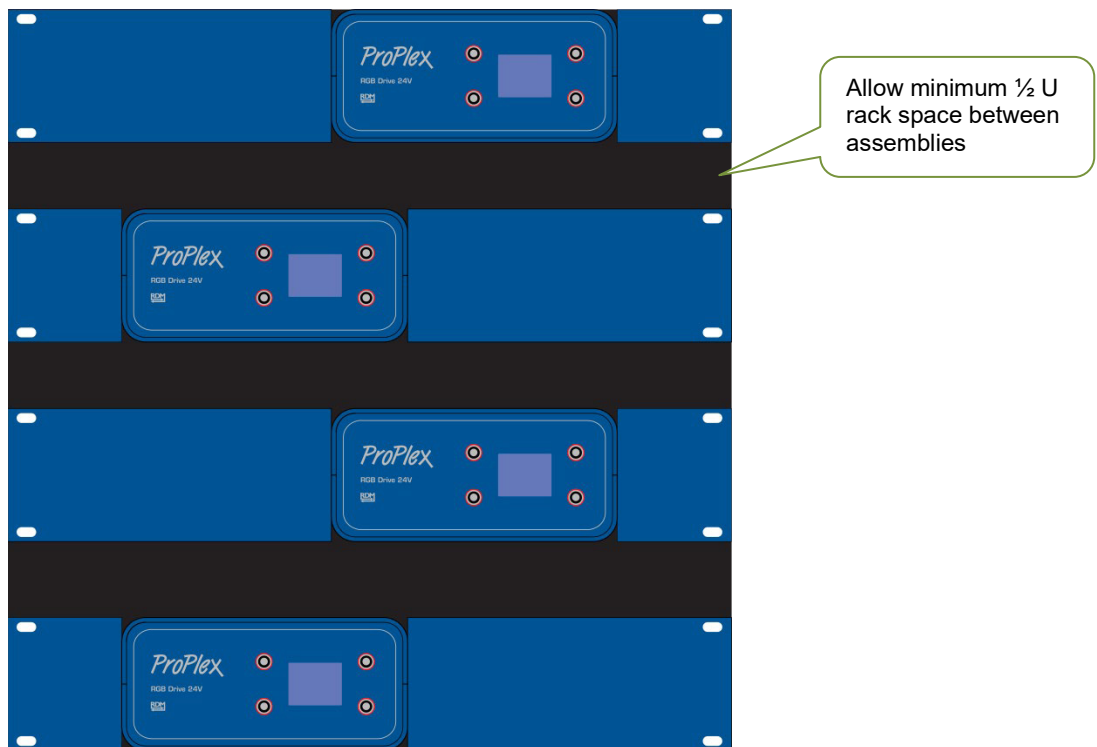


- 3) The drawing below depicts the 2U Large Single (top) and Dual (bottom) RackMount Kits. Note the Dual version requires TWO center Dual Joiners (included in the Kit), attached at the front and rear of the units, enhancing stability in the rack. The same principle applies to Small Dual (for IQ and Opto Mini enclosures), and Medium Dual (for GBS Mini) RackMount Kits.



- 4) **Caution: Mounting ProPlex FloppyDrives, Mozart Drives and IMS Universe Drives.** These LED driver units must have adequate airflow. When installing multiple units, they must be mounted on alternating sides of the rack, so one does NOT reside directly above another, with at least one-half 1U space between each assembly, per below illustration. Other ProPlex PortableMount units – IQ, GBS, Opto-Splitter, etc. – may be mounted adjacent to each other.

Warning: Placing two FloppyDrives or IMS Universe Drives directly next to each other – vertically or horizontally – in a rack or enclosed space will prevent adequate air circulation and may result in overheating of the device. Misapplication will void the warranty of the ProPlex device.



CONTACT INFORMATION

GENERAL INFORMATION

TMB

US Phone: +1 818.899.8818
 Fax: +1 818.899.8813
 UK Phone: +44 (0)20.8574.9700
 Fax: +44 (0)20.8574.9701
 e-mail: tmb-info@tmb.com
 web: www.tmb.com

24/7 TECHNICAL SUPPORT

TMB

US/Canada: +1 818.794.1286
 Toll Free: 1 877.862.3833 (877.TMB.DUDE)
 UK: +44 (0)20.8574.9739
 Toll Free: 0800.652.5418
 email: techsupport@tmb.com