

GENERAL INFO

Brand	Triton Blue
Model Name	Neptune 400 IP65
Code Number	10297619
EAN Number	7427254442685

LIGHT SOURCE

Source	400W WW+400W CW+1200W RGB
CCT	2700K-10000K
Lux	3328lux@2M 3200K
Source Life Expectancy	50000 Hrs
Optical aperture degrees	110°

COLOUR SYSTEM

Colour Mixing	0-100% bits dimming
CCT	2700K-10000K
Colour Modes	CCT/HSI/RGBW

NOISE LEVEL

Auto Fan Mode	Yes
---------------	-----

CONTROL

Protocols	DMX512, RDM, Art-Net, sACN
DMX Channels	8 bit: RGBW(6CH), CCT(6CH), HSI(9CH) 16 bit: RGBW(8CH), CCT(8CH), HSI(15CH)
Wireless Control	Optional
RDM	Yes
Display	LCD
Display Invert	Yes
Firmware Upgrade	Yes

ELECTRONICS

Dimmer	0-100% bits dimming
Dimmer Curves	3 MODO CURVAS LINEAL/SQUAR LAW/ S-CURVE
Strobe / Shutter	Yes
Display Battery	No
Operating Temperature	-20° ~ 40°
Selectable PWM	No

ELECTRICAL

Output (at 230v)	DC / V1:48V. V2 : 12V
Power Factor	AC100V-240V
Inrush Current	12A
Max Power Consumption	800W

PHYSICAL

IP Rating	IP65
Cooling	Fan
Suspension and Fixing	Yes
Signal Connection	5 pins XLR, RJ45
Data Connection	DMX512, RDM, Art-Net, sACN
Power Connection	REAN
Dimensions Inner Box	No inner box
Weight	18 KGS
Dimensions Master Carton	81 x 26 x 47cm
QTY Master Carton	1 piece
Working temperature range	-20° ~ 40°

BODY

Body	Die-casting aluminum
Body Colour	Black

ACCESSORIES

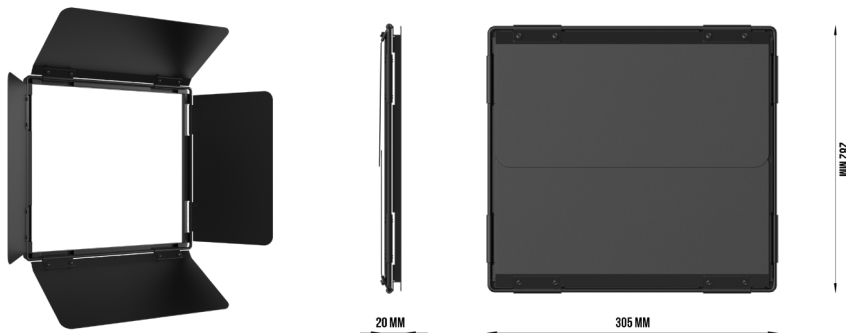
Accessories Included	POWERCON POWER CABLE 3.5 MTS DMX SIGNAL CABLE 5 PIN 3.5MTS
Accessories Optional	Barndoor, Softbox, Flightcase

CERTIFICATIONS / APPROVALS

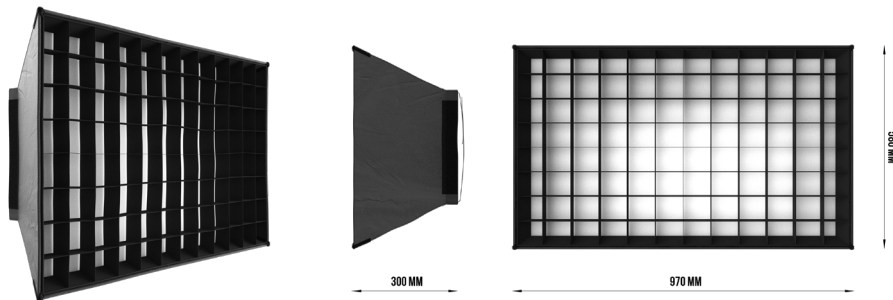
Certifications	CE, RoHs
----------------	----------

ACCESSORIES

NEPTUNE 400 IP65 BARNDOOR



SOFTBOX DIFFUSER



NEPTUNE 400 IP65 FLIGHTCASE

