

GENERAL INFO

| | |
|-------------|------------------|
| Brand | Triton Blue |
| Model Name | Kosmos 1000 IP65 |
| Code Number | 10297855 |
| EAN Number | 7427254442784 |

LIGHT SOURCE

| | |
|--------------------------|-----------------------|
| Source | 40pcs*30W RGBW LED |
| CCT | 2400k-8500k |
| Luminous Flux | ≥28800LM (peak value) |
| Lux | 33320Lux@5m (8°) |
| Source Life Expectancy | 50000H |
| Optical aperture degrees | 6°/ 15°/ 25°/ 45° |

COLOUR SYSTEM

| | |
|---------------|------------|
| Colour Mixing | RGBW |
| CCT | 2800 8000K |

CONTROL

| | |
|------------------|--------------|
| Protocols | DMX512/RDM |
| DMX Channels | 4CH/7CH/20CH |
| Wireless Control | No |
| RDM | Yes |
| Display | TFT |
| Display Invert | Yes |
| Firmware Upgrade | No |

ELECTRONICS

| | |
|-----------------------|-----------------------|
| Dimmer | 0-100% linear dimming |
| Dimmer Curves | 4 dimming |
| Strobe / Shutter | 20HZ |
| Display Battery | NO |
| Operating Temperature | -20°/60° |
| Led Control | 4-segment RGBW |

ELECTRICAL

| | |
|-----------------------|--------------------|
| Mains Power Supply | 100-240VAC,50/60Hz |
| Max Power Consumption | 1000W |
| Output (at 230v) | 1000W |
| Power Factor | ≥0.95 |

PHYSICAL

| | |
|---------------------------|--|
| IP Rating | IP65 |
| Cooling | Low noise fans |
| Suspension and Fixing | Standing on the ground, vertical hanging |
| Pan / Tilt Lock | No |
| Signal Connection | IP DMX IN/OUT 5 PIN |
| Data Connection | IP DMX IN/OUT 5 PIN |
| Power Connection | IP Power IN/OUT |
| Net Weight | 22kg |
| Dimensions Master Carton | 64 x 22 x 55cm |
| QTY Master Carton | 1 |
| Working temperature range | -20°C ~ 60°C |

BODY

| | |
|---------------------|--------------------------------------|
| Tilt | 185° |
| Pan/Tilt Resolution | Manual rotation |
| Body | High-strength casting aluminum alloy |
| Body Colour | Black |

ACCESSORIES

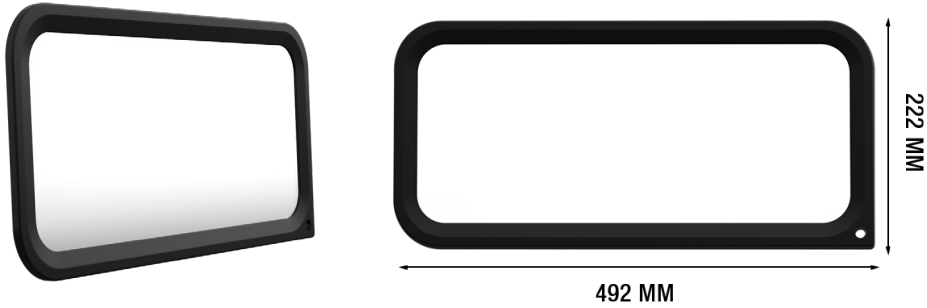
| | |
|----------------------|------------------------------|
| Accessories Included | Seetronic cable, safety rope |
| Accessories Optional | Diffusor, Flightcase |

CERTIFICATIONS / APPROVALS

| | |
|----------------|----------|
| Certifications | CE, RoHs |
|----------------|----------|

ACCESSORIES

DIFFUSOR KOSMOS 1000 IP65



KOSMOS 1000 IP65 FC FLIGHTCASE

