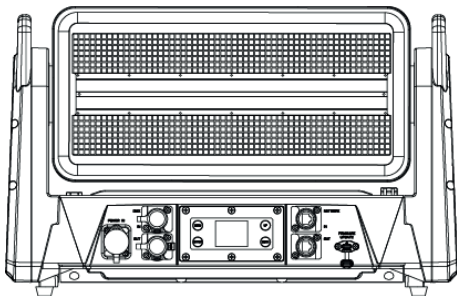




TRITON BLUE

KOSMOS 1200 IP65

MOVING HEAD STROBE



MANUAL DE USUARIO USER'S MANUAL

Este manual contiene información importante: léalo antes de poner el dispositivo en funcionamiento.

This manual contains important information: read it before operating the device.



MADE IN PRC

Siluj Iluminación S.L. C/ La Raya 110 - Polígono Industrial Trabajo del Camino, 24010, León, Spain
www.triton-blue.com
VERSION 1 - OCT 2024

INDEX / ÍNDICE

ENGLISH

WELCOME TO TRITON BLUE.....	1
SAFETY INSTRUCTIONS.....	1
IMPORTANT INFORMATION.....	2
PACKAGE CONTENT.....	3
TECHNICAL SPECIFICATION.....	3
DATA SHEET.....	5
CONTROL PANEL.....	6
MENU FUNCTION.....	6
INSTALLATION AND CONNECTION.....	9
TROUBLESHOOTING.....	12
DISPOSAL.....	13

ESPAÑOL

BIENVENIDOS A TRITON BLUE.....	14
INSTRUCCIONES DE SEGURIDAD.....	14
INFORMACIÓN IMPORTANTE.....	15
CONTENIDO DEL PAQUETE.....	16
ESPECIFICACIONES TÉCNICAS.....	16
DATA SHEET.....	18
PANEL DE CONTROL.....	19
FUNCIÓN DEL MENÚ.....	17
INSTALACIÓN Y CONEXIÓN.....	22
CONEXIÓN DE CABLE.....	18
PANEL DE CONTROL DE WINDOWS.....	19
MENÚ PRINCIPAL.....	20
MANTENIMIENTO.....	22
SOLUCIÓN DE PROBLEMAS.....	25
RECICLAJE.....	26

DMX

DMX.....	27
----------	----

WELCOME TO TRITON BLUE

Thank you very much for choosing Triton Blue. We hope you enjoy your new product.

It has been developed and designed paying attention to the smallest details, with quality control with European standards supervised by our great team of professional technicians, who work every day to offer our customers the best quality.

We make sure that every Triton Blue product is built to last long. All our references are made with long lasting materials and our specialists are dedicated to constantly doing quality controls to guarantee the best result.

Please read carefully this manual in order to use your Triton Blue product in the best way. Do not hesitate to visit our website for further information: www.triton-blue.com

SAFETY INSTRUCTIONS

GENERAL INFORMATION

- It is important to read and follow the instructions carefully.
- Keep all information and instructions in a secure location.
- Always follow the instructions provided.
- Take note of all safety warnings and never remove them from the equipment.
- Use the equipment only as intended and for its intended purpose.
- Ensure that the stands and/or mounts used are sufficiently stable and compatible for fixed installations. Wall mounts should be properly installed and secured, and the equipment should be installed securely to prevent falls.
- When installing the equipment, be sure to observe the relevant safety regulations in your country.
- Do not install or operate the equipment near sources of heat, such as radiators, heat registers, or ovens, and ensure that it is always cooled sufficiently and cannot overheat.
- Do not place sources of ignition, such as burning candles, on the equipment.
- Keep ventilation slits unobstructed.
- For equipment designed for indoor use only should not be used near water, flammable materials, fluids, or gases. Special outdoor equipment should be used in accordance with the manufacturer's instructions.
- Ensure that no dripping or splashed water can enter the equipment and do not place containers filled with liquids on the equipment.
- Prevent objects from falling into the equipment.
- Use the equipment only with recommended accessories intended by the manufacturer.
- Do not attempt to open or modify the equipment.
- Check all cables after connecting the equipment to prevent accidents or damage due to tripping hazards.
- During transport, take steps to prevent the equipment from falling and causing damage or injury.
- If the equipment is not functioning properly, fluids or objects have gotten inside, or is otherwise damaged, switch it off immediately and unplug it from the power outlet (if applicable). Only authorized, qualified personnel should repair the equipment.
- Clean the equipment with a dry cloth.
- Comply with all applicable disposal laws and separate plastic and paper/cardboard during packaging disposal.
- Keep plastic bags out of the reach of children.

FOR DEVICES DESIGNED TO BE CONNECTED TO THE MAIN POWER SUPPLY:

- **ATTENTION:** If your equipment has a power cord with a grounding plug, it must be connected to a wall outlet with a ground connection. Never remove the grounding plug from the power cord.
 - If your equipment has been exposed to extreme temperature changes, allow it to reach room temperature before turning it on. Otherwise, moisture and condensation may damage the equipment.
 - Before plugging in the equipment, make sure that the voltage and frequency of the power outlet match the specifications of the equipment. If the equipment has a voltage selector, only connect it to the power outlet if the values match. If the power cord or adapter does not fit your outlet, contact an electrician.
 - Do not step on the power cord. Make sure it is not pinched at the outlet, adapter, or equipment connection.
 - Keep the power cord or adapter within reach and disconnect the equipment from the power supply when not in use or when cleaning it. Always unplug the cord or adapter by pulling the plug or adapter, not the cord. Never touch the cord or adapter with wet hands.
 - Avoid frequently turning the equipment on and off, as this can reduce its useful life.
 - **IMPORTANT:** Only replace fuses with those of the same type and rating. If a fuse repeatedly blows, contact an authorized service center.
 - To completely disconnect the equipment from the power mains, unplug the power cord or adapter from the outlet.
 - If your device has a Volex power connector, the mating Volex connector must be unlocked before it can be removed. Be careful when laying cables, as the equipment can slide or fall if the power cord is pulled.
 - Unplug the power cord or adapter before an extended period of disuse or in case of lightning strike risk.
 - Only install the equipment when it is disconnected from the power source.
 - To prevent damage and overheating, qualified personnel should regularly clean and service the equipment depending on ambient conditions like dust, nicotine, and fog.
- If the product contains the following symbols, please, read carefully:



CAUTION: To reduce the risk of electric shock, do not remove cover (or back). There are no user serviceable parts inside. Maintenance and repairs should be exclusively carried out by qualified service personnel.



The warning triangle with lightning symbol indicates dangerous uninsulated voltage inside the unit, which may cause an electrical shock.



The warning triangle with exclamation mark indicates important operating and maintenance instructions.

IMPORTANT INFORMATION**WARNING! IMPORTANT INFORMATION REGARDING LIGHTING PRODUCTS**

1. This product is specifically designed for use in event technology and is not intended to be used as household lighting.
2. It is important to avoid looking directly at the light beam, even for a short period of time.
3. Optical instruments, such as magnifiers, should not be used to look directly at the beam.
4. If you are sensitive to strobe effects, it is possible that they could cause an epileptic seizure. If you have epilepsy, it is important to avoid places where strobe lights are being used.

PACKAGE CONTENT

- 1 x Kosmos 1200 IP65
- 1 x Standard power cord
- 1 x User's manual

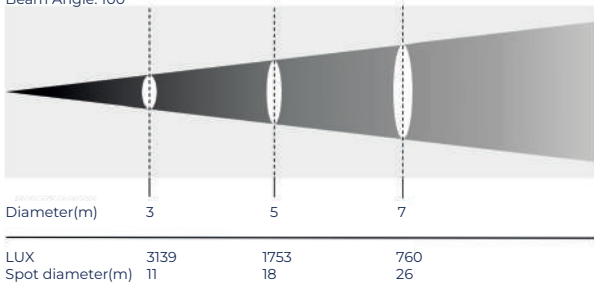
TECHNICAL SPECIFICATION

Optical parameters

- Light source: 1.56W white 392pcs 2835 lamp beams, 1W RGB3 in1 784pc 5050 lamp beams
- Color temperature: 2800K-8000K
- Optical output of the whole machine: R:5480 Lm; G:11760 Lm; B:1560 Lm; W:45000 Lm; ALL:63880 Lm
- Illumination: ALL:/ Lux; R:/ Lux; G:/ Lux; B:/ Lux; W:/ Lux; @5m
- Color rendering index: Ra≥90
- Dominant wavelength: R:622nm; G:525nm; B:457nm
- Light source life: 20000hours
- Beam angle: 100°

ILLUMINATION DIAGRAM

Beam Angle: 100°



Dynamic effect

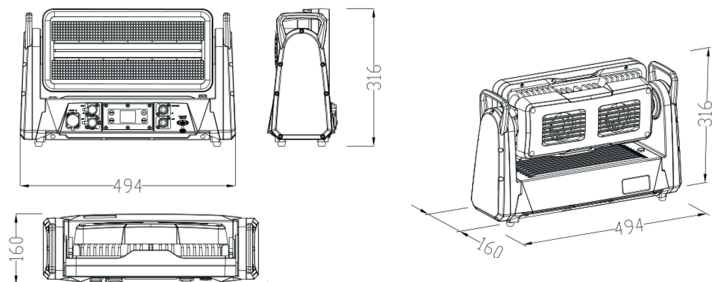
- Strobe: 0~20Hz
- Dimming: 0-100% dimming

Electronic parameters

- Input voltage and frequency: 100~240VAC, 50~60Hz
- Power: Full brightness 700W, Strobe 1200W
- Power connection: Waterproof POWERCORN input;
- Signal connection: Waterproof 3-core DMX signal line input/output, the maximum number of connections is 32; waterproof network signal input and output
- Power Factor: 0.95 @230V
- Working environment: -10°~45°
- Switching power supply: 100~240VAC, 50~60Hz, 28V 800W

Structure parameters

- Size: 494×316×160 mm
- Net Weight: 12.0Kg (Clamps and quick lock not included)
- Protection level: IP65
- Cooling system: Waterproof low noise fan forced cooling
- Shell: Die-cast magnesium + aluminum alloy; black
- Installation mode: side hanging, hanging installation



Control

- Control mode: Art-net/DMX512/RDM
- DMX Access: 8/11/13/24/30/74/97CH
- Display: TFT
- Refresh rate: 600Hz/1200 Hz/2000 Hz/4000 Hz/6000 Hz/25KHz
- Pixel matrix: white light 2*14, rgb 2*7

DATA SHEET

GENERAL INFO

Brand	Triton Blue
Model Name	Kosmos 1200 IP65
Code Number	10297857
EAN Number	7427254442807

LIGHT SOURCE

Source	392pcs*1.5W CW+784pcs*1W RGB
CCT	2700k-8000k
Luminous Flux	≥72600LM(peak value)
Lux	1600Lux@5m(117°)
Source Life Expectancy	50000H
Optical aperture degrees	117°

COLOUR SYSTEM

Colour Mixing	RGB CW
CCT	2800 8000K

BODY

Tilt	180°
Body	cast magnesium + aluminum alloy
Body Colour	Black

NOISE LEVEL

Auto Fan Mode	Yes
---------------	-----

CONTROL

Protocols	DMX512/RDM/Art-Net/sACN
DMX Channels	8CH/11CH/13CH/24CH/30CH/74 CH/97CH
Wireless Control	No
RDM	Yes
Display	TFT
Display Invert	Yes
Firmware Upgrade	Yes

ELECTRONICS

Dimmer	0-100% dimming
Dimmer Curves	4 dimming curves
Strobe / Shutter	0-20HZ
Display Battery	No
Operating Temperature	-10°/45°
Led Control	28-segment strobe white + 14-segment strobe color RGB

ELECTRICAL

Mains Power Supply	100~240VAC,50~60Hz
Max Power Consumption	Full brightness 700W, Strobe 1200W 1900W
Output (at 230v)	1900W
Power Factor	0.95 @230V

PHYSICAL

IP Rating	IP65
Cooling	Low noise fans
Suspension and Fixing	side hanging, hanging installation
Pan / Tilt Lock	No
Signal Connection	IP DMX IN/OUT 5 PIN REAN IP DMX IN/OUT+IP RJ45 + IP USB 5 PIN
Data Connection	IP Powercorn TRUE Input 5 PIN
Power Connection	13kg
Net Weight	61 x 23 x 46cm
Dimensions Master Carton	1
QTY Master Carton	-20°C ~45°C
Working temperature range	

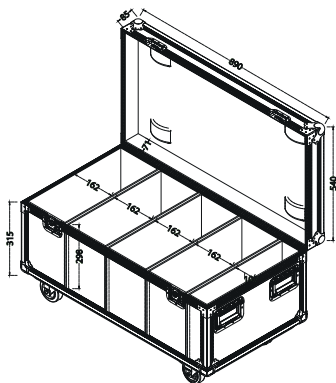
CERTIFICATIONS / APPROVALS

Certifications	CE, RoHS
----------------	----------

ACCESSORIES

Accessories Included	ES 5 PIN REAN, safety rope, manual
Accessories Optional	Flightcase

Kosmos 1200 IP65 FC Flightcase

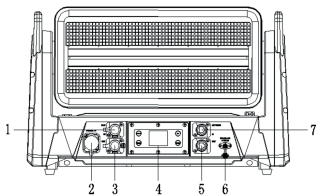


CONTROL PANEL

ENGLISH

ESPAÑOL

DMX



1. Panel operation buttons: mode, UP, Down, Enter
2. power input: IP65 POWER CON cable Input voltage: 100-240V 50/60HZ
3. Power Output: IP65 POWER CON power cable Output voltage: 100-240V 50/60HZ
4. ART-NET input: Connect network input
5. DMX input: 5-core DMX waterproof signal line input
6. DMX output: 5-core DMX waterproof signal line output
7. ART-NET output: Connect network output

The specific operations of the panel functions are as follows:

Display panel function description

Press button UP or DOWN if you want to browse through the various Setup Options.

Press button ENTER to save your settings or enter the next menu.

Press button UP or DOWN to shift.

Press button Menu will return to the upper menu one by one.

MENU FUNCTION

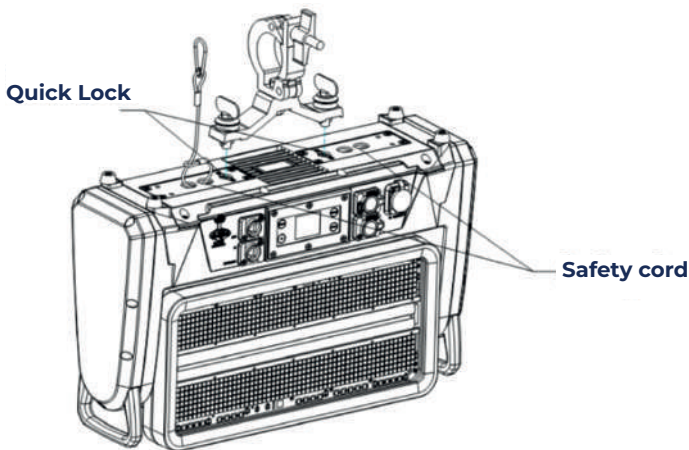
	Main Level	Programming Levels	
1	Protocol	DMX512	
		Art-Net	
		sACN	
2	DMX Address	1-512*	
3	DMX Channel	8CH	
		11CH	
		13CH	
		24CH	
		30CH	
		74CH	
		97CH	
4	Static	Fixed Color	R
			G
			B
			GB
			RB
			RG
			RGB
	Manual Color Mixer	Red	0-255
		Green	
Blue			

4	Static	Fixed Color	R	
			G	
			B	
			GB	
			RB	
			RG	
			RGB	
5	Plate FX	Manual Color Mixer	Red	0-255
			Green	
			Blue	
		Plate FX 1 Plate FX 2 Plate FX 3 Plate FX 4 Plate FX 5 Plate FX 6 Plate FX 7 Plate FX 8 Plate FX 9	Speed	1-100
			Plate Intensity	000-255
			Background Color	R
				G
				B
				GB
				RB
				RG
				RGB
			Foreground Color	Off
				R
				G
				B
				GB
RB				
RG				
RGB				
Off				
6	Beam Intensity	000-255		
7	Beam Flash Duration	000-255		
8	Beam Flash Rate	000-255		
9	Tilt	000-255		
10	Tilt Offset	000-255		
11	Tilt Invert	No		
		Yes		
12	Pixel Invert	Plate1 Invert	No	
			Yes	
		Plate2 Invert	No	
			Yes	
		Tube1 Invert	No	
			Yes	
13	LED Array Swap	Plate Swap	No	
			Yes	
		Beam Swap	No	
			Yes	

14	Master/Slave	Master		
		Slave		
15	Dimmer Mode	OFF		
		DIM1-3		
16	White Balance	Off		
		Manual	Red Green Blue	125-255
17	LED Frequency	600Hz		
		1200Hz		
		2000Hz		
		4000Hz		
		6000Hz 25000Hz		
18	Fan Mode	Auto		
		On		
19	Display Invert	No		
		Yes		
		10s		
20	Backlight	30s		
		2Min		
		Always On		
		On		
21	Key Lock	Off		
		On		
22	Ethernet Setting	Universe	0-255 (ArtNet)	
		IP Address	1-255 (sACN) 2.192.0.1	
23	Information	Fixture Hours:	__ _Hours	
		LED Hours:	__ _H	
		Disp Ver:	V_ _ _ _ _	
		Drv-Y Ver:	V_ _	
		LED-A Ver:	V_ _	
		LED-C Ver:	V_ _	
		Net Ver:	V_ _	
24	Update Firmware	Only this Unit	_ _ _ _ _CHL	
		Multiple Units	...	
			_ _ _ _ _CHL	
		Other Fixture Type	...	
25	Factory Reset	No		
		Yes		

INSTALLATION AND CONNECTION

Installation diagram



Precautions

This product is suitable for indoor and outdoor use, and its protection level is IP65. The lamp should be kept clean and should not be used in a humid or dusty environment. It should be maintained every three months.

Only qualified professionals can install, operate and maintain the lamps, and ensure that the operation is strictly in accordance with the procedures described in this manual.

The lamps and lanterns should be installed in a well-ventilated place, at least 50CM away from the wall, and check whether the ventilation holes are unobstructed. Do not look directly at the light source to avoid damage to the eyes.

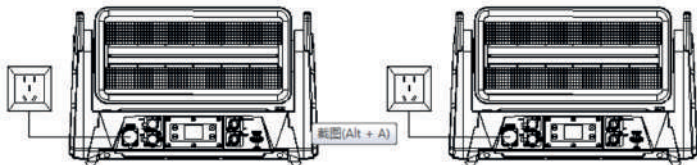
Parts that make electrical connections must be operated by qualified installers.

Each lamp should be safely grounded, and electrical installation should be carried out in accordance with relevant standards.

Do not use the power cord with damaged insulation, and do not put the power cord on other wires. When the lamp is not in use or cleaned, please unplug the power cord. Do not pull or pull the power cord vigorously.

If the back cover of the lamp is equipped with a safety buckle or a connection hole, for safety reasons, please use the safety rope to pass through the connection hole for auxiliary hoisting.

Power connection



This product uses Power con in/out input power cord
 Note: Due to the power, a 1.5 square power cord

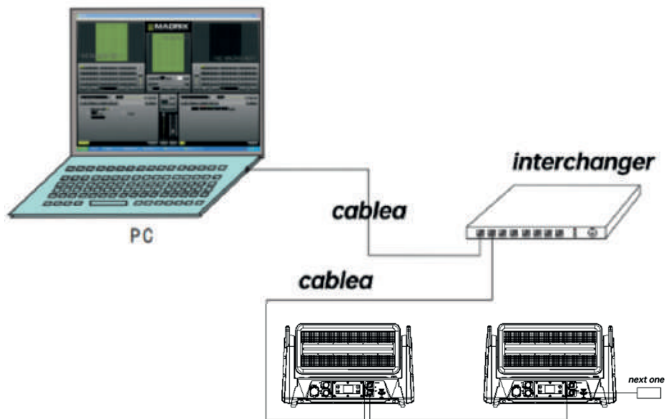
POWER IN



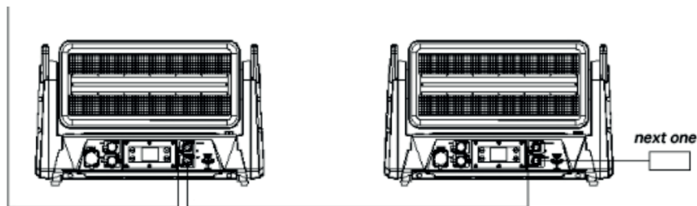
Do not connect too many lamps to a single power cord, or overload it.
 Do not use the power cord with damaged insulation, and do not put the power cord on other wires.
 When the lamp is not in use or cleaning, please unplug the power cord.
 Do not pull or plug in vigorously or drag the power cord directly.

Signal connection

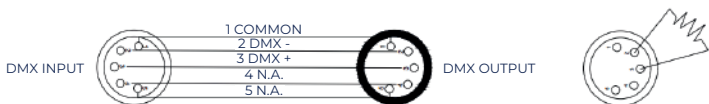
DMX connection



DMX Connection



DMX connection instructions



In order to reduce signal errors and avoid signal weakening and interference during transmission, a 120 ohm 1/4W resistor can be added between the 2-core and 3-core of the DMX output of the last machine.

Use the XLR signal cable to connect the lamps, one end to the output port of the lamp, and the other end to the input port of the next lamp. Signal lines can only be used in series, not in parallel.

Because the DMX512 signal transmission speed is very fast, when the signal line is damaged, the welding place is not strong, the contact is not good, etc., it will affect the signal transmission and cause the system to shut down.

When the machine power of a certain unit is cut off, the connection of DMX output and input is bypassed in order to maintain the continuity of the DMX line.

Each light must have an address code to be able to receive information from the console. The terminal of the DMX512 system needs to be equipped with a terminator to reduce errors in signal transmission.

DMX Address code setting

Ch	add	first address	Second add	Third add	Fourth add
8CH	001-008	001	009	017	025
11CH	001-011	001	012	023	034
13CH	001-013	001	014	027	040
24CH	001-024	001	025	049	063
30CH	001-030	001	031	061	091
74CH	001-074	001	075	149	223
97CH	001-097	001	098	195	292

(Refer to the above picture) The number of lamps to be added after the fourth one; the address code is based on the channel, and so on.

TROUBLESHOOTING

Symptom	cause of issue	Approach
No menu displayed	<ol style="list-style-type: none"> 1. No AC input 2. The switching power supply is damaged 3. Display board failure 	<ol style="list-style-type: none"> 1. Check the power supply line 2. Check whether the switching power supply has voltage output 3. Replace the display board
Can't receive DMX signal	<ol style="list-style-type: none"> 1. The DMX signal line is faulty 2. The wiring sequence of the signal line is wrong 3. The IC receiving the signal at the signal input terminal is damaged 4. DMX address code setting and console Corresponding controls do not match 5. Other parameters are set incorrectly 6. After entering the menu without pressing the confirm button or MENU key to exit to the main menu 	<ol style="list-style-type: none"> 1. Check or replace the signal line 2. Check the wiring sequence of the signal lines 3. Check the display board signal receiving IC and Are the two resistors connected in series on the signal line open? 4. Check or reset the address code Or restore factory settings and try again 5. Press MENU to exit to the main menu
The surface temperature of the lamp body exceeds 75° No temperature control protection	<ol style="list-style-type: none"> 1. The thermistor on the lamp bead board is faulty 2. The temperature control circuit on the display board is faulty 	<ol style="list-style-type: none"> 1. Replace the thermistor 2. Check the temperature control circuit on the motherboard
Uneven color mixing Uneven color spots	<ol style="list-style-type: none"> 1. Improper soldering of lamp beads 2. The lens or bracket is not installed properly 	<ol style="list-style-type: none"> 1. Check the bulb welding condition 2. Check the lens assembly process, Adjust the bracket assembly direction
The lamp bead is off or flickering a little	The lamp bead is damaged or the driver board has no current output	<ol style="list-style-type: none"> 1. Replace the lamp bead 2. Replace the damaged lamp beads Or check the driver board circuit 3. Replace the corresponding driver IC
Parameters are not saved	Damaged IC for storing parameters	Replace memory IC
The whole light does not work	When the temperature is too high, the temperature control protection will cause Switching power supply over temperature protection does not work	Wait for the lamp body to cool down before turning it on

DISPOSAL

ENGLISH

ESPAÑOL

DMX

Packaging:

1. The packaging can be recycled using standard disposal methods and reintroduced into the reusable material cycle.
2. Please follow the laws and regulations regarding disposal and recycling of packaging in your country.

Device:

1. This device is subject to the Waste Electrical and Electronic Equipment (WEEE) Directive of the European Union. Used appliances should not be disposed of with household waste. Used device must be disposed of through an approved disposal company or a municipal disposal facility. Please comply with the applicable regulations in your country.
2. Please follow all the disposal laws and regulations in your country.
3. As a customer, you can obtain information on environmentally-friendly disposal options from the product seller or the appropriate regional authorities.

BIENVENIDO A TRITON BLUE

Muchas gracias por elegir Triton Blue. Esperamos que disfrute de su nuevo producto. Ha sido desarrollado y diseñado cuidando hasta el más mínimo detalle, con un control de calidad con estándares europeos supervisado por nuestro gran equipo de técnicos profesionales, que trabajan día a día para ofrecer a nuestros clientes la mejor calidad.

Nos aseguramos de que cada producto Triton Blue esté diseñado para durar mucho tiempo. Todas nuestras referencias están fabricadas con materiales de larga duración y nuestros especialistas se dedican a realizar constantemente controles de calidad para garantizar el mejor resultado.

Lea atentamente este manual para utilizar su producto Triton Blue de la mejor manera. No dudes en visitar nuestra web para más información: www.triton-blue.com

INSTRUCCIONES DE SEGURIDAD

INFORMACIÓN GENERAL

- Es importante leer y seguir las instrucciones cuidadosamente.
- Guarde toda la información y las instrucciones en un lugar seguro.
- Siga siempre las instrucciones proporcionadas.
- Tome nota de todas las advertencias de seguridad y nunca las quite del equipo.
- Utilice el equipo únicamente según lo previsto y para el fin previsto.
- Asegúrese de que los soportes y/o soportes utilizados sean lo suficientemente estables y compatibles para instalaciones fijas. Los soportes de pared deben asegurarse correctamente, y el equipo debe instalarse de forma segura para evitar caídas.
- Al instalar el equipo, asegúrese de observar las normas de seguridad pertinentes de su país.
- No instale ni utilice el equipo cerca de fuentes de calor, como radiadores, rejillas de calor u hornos, y asegúrese de que siempre se enfríe lo suficiente y no se sobrecaliente.
- No coloque fuentes de ignición, como velas encendidas, sobre el equipo.
- Mantenga las ranuras de ventilación despejadas.
- Equipos diseñados solo para uso en interiores y no debe usarse cerca de agua, materiales inflamables, líquidos o gases. Se debe usar para exteriores de acuerdo con las instrucciones del fabricante.
- Asegúrese de que no entren gotas o salpicaduras de agua en el equipo y no coloque recipientes llenos de líquidos sobre el equipo.
- Evite que caigan objetos dentro del equipo.
- Utilice el equipo únicamente con los accesorios recomendados por el fabricante.
- No intente abrir o modificar el equipo.
- Verifique todos los cables después de conectar el equipo para evitar accidentes o daños debido a riesgos de tropiezos.
- Durante el transporte, tome medidas para evitar que el equipo se caiga y cause daños o lesiones.
- Si el equipo no funciona correctamente, se han metido líquidos u objetos en su interior o está dañado, apáguelo inmediatamente y desenchúfelo de la toma de corriente (si corresponde). Solo personal autorizado y cualificado debe reparar el equipo.
- Limpie el equipo con un paño seco.
- Cumpla con todas las leyes de eliminación aplicables y separe el plástico y el papel/cartón durante la eliminación del embalaje.
- Mantenga las bolsas de plástico fuera del alcance de los niños

PARA DISPOSITIVOS DISEÑADOS PARA SER CONECTADOS A LA FUENTE DE ALIMENTACIÓN PRINCIPAL:

- **ALIMENTACIÓN:** Si su equipo tiene un cable de alimentación con un enchufe con conexión a tierra, debe conectarse a un tomacorriente de pared con conexión a tierra. Nunca retire el enchufe de conexión a tierra del cable de alimentación.
 - Si su equipo ha estado expuesto a cambios extremos de temperatura, permita que alcance la temperatura ambiente antes de encenderlo. De lo contrario, la humedad y la condensación pueden dañar el equipo.
 - Antes de enchufar el equipo, asegúrese de que el voltaje y la frecuencia del tomacorriente coincidan con las especificaciones del equipo. Si el equipo dispone de selector de tensión, sólo conéctelo a la toma de corriente si los valores coinciden. Si el cable de alimentación o el adaptador no se ajustan a su toma de corriente, comuníquese con un electricista.
 - No pise el cable de alimentación. Asegúrese de que no esté pellizcado en la toma de corriente, el adaptador o la conexión del equipo.
 - Mantenga el cable de alimentación o el adaptador al alcance de la mano y desconecte el equipo de la fuente de alimentación cuando no esté en uso o cuando lo esté limpiando. Desenchufe siempre el cable o el adaptador tirando del enchufe o del adaptador, no del cable. Nunca toque el cable o el adaptador con las manos mojadas.
 - Evite encender y apagar el equipo con frecuencia, ya que esto puede reducir su vida útil.
 - **IMPORTANTE:** Solo reemplace los fusibles con aquellos del mismo tipo y clasificación. Si un fusible se quema repetidamente, comuníquese con un centro de servicio autorizado.
 - Para desconectar completamente el equipo de la red eléctrica, desenchufe el cable de alimentación o el adaptador de la toma de corriente.
 - Si su dispositivo tiene un conector de alimentación Volex, el conector Volex correspondiente debe desbloquearse antes de poder retirarlo. Tenga cuidado al tender los cables, ya que el equipo puede deslizarse o caerse si se tira del cable de alimentación.
 - Desenchufe el cable de alimentación o el adaptador antes de un período prolongado de desuso o en caso de riesgo de caída de rayos.
 - Instale el equipo únicamente cuando esté desconectado de la fuente de alimentación.
 - Para evitar daños y sobrecalentamiento, el personal calificado debe limpiar y reparar el equipo con regularidad según las condiciones ambientales, como polvo, nicotina y niebla.
- Si el producto contiene los siguientes símbolos, lea atentamente:



CAUTION
Risk of Electric Shock.
Disconnect all power sources before servicing.

PRECAUCIÓN: Para reducir el riesgo de descarga eléctrica, no retire la tapa (o la parte trasera). No hay partes reparables por el usuario adentro. El mantenimiento y las reparaciones deben ser realizados exclusivamente por personal de servicio cualificado.



El triángulo de advertencia con el símbolo de un rayo indica un voltaje no aislado peligroso dentro de la unidad, que puede causar una descarga eléctrica.



El triángulo de advertencia con signo de exclamación indica instrucciones importantes de operación y mantenimiento.

INFORMACIÓN IMPORTANTE

¡ADVERTENCIA! INFORMACIÓN IMPORTANTE SOBRE PRODUCTOS DE ILUMINACIÓN

1. Este producto está diseñado específicamente para su uso en tecnología de eventos y no está diseñado para usarse como iluminación doméstica.
2. Es importante evitar mirar directamente al haz de luz, incluso durante un breve período de tiempo.
3. No se deben utilizar instrumentos ópticos, como lupas, para mirar directamente al haz.
4. Si es sensible a los efectos estroboscópicos, es posible que le provoquen un ataque epiléptico. Si tiene epilepsia, es importante evitar los lugares donde se usan luces estroboscópicas.

CONTENIDO DEL PAQUETE

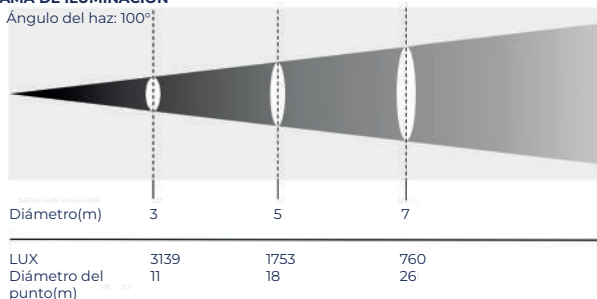
- 1 x Kosmos 1200 IP65
- 1 x Cable de alimentación estándar
- 1 x Manual del usuario

ESPECIFICACIONES TÉCNICAS

Parámetros ópticos

- Fuente de luz: 1,56 W blanco 392 piezas 2835 haces de lámpara, 1 W RGB3 en 1 784 piezas 5050 haces de lámpara
- Temperatura de color: 2800 K-8000 K
- Salida óptica de toda la máquina: R: 5480 Lm; G: 11760 lm; B: 1560 lm; W: 45000 lm; ALL: 63880 lm
- Iluminación: ALL:/ Lux; R:/ Lux; G:/ Lux; B:/ Lux; W:/ Lux; a 5 m
- Índice de reproducción cromática: Ra≥90
- Longitud de onda dominante: R: 622 nm; G: 525 nm; B: 457 nm
- Vida útil de la fuente de luz: 20 000 horas
- Ángulo del haz: 100°

DIAGRAMA DE ILUMINACIÓN



Efecto dinámico

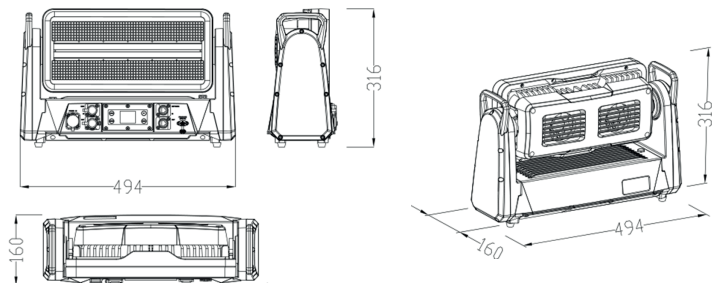
- Estroboscopia: 0~20 Hz
- Atenuación: 0-100 % de atenuación

Parámetros electrónicos

- Voltaje y frecuencia de entrada: 100~240VAC, 50~60Hz
- Potencia: Brillo total 700W, luz estroboscópica 1200W
- Conexión de alimentación: Entrada POWERCORN a prueba de agua;
- Conexión de señal: Entrada/salida de línea de señal DMX de 5 pines a prueba de agua, el número máximo de conexiones es 32; entrada y salida de señal de red a prueba de agua
- Factor de potencia: 0,95 a 230 V
- Entorno de trabajo: -10°~45°
- Fuente de alimentación conmutada: 100~240VAC, 50~60Hz, 28V 800W

Parámetros de estructura

- Tamaño: 494×316×160 mm
- Peso neto: 12,0 kg (abrazaderas y cierre rápido no incluidos)
- Nivel de protección: IP65
- Sistema de refrigeración: refrigeración forzada con ventilador de bajo ruido y resistente al agua
- Carcasa: aleación de aluminio y magnesio fundido a presión; negra
- Modo de instalación: instalación colgante, instalación lateral



Control

- Modo de control: Art-net/DMX512/RDM
- Acceso DMX: 8/11/13/24/30/74/97CH
- Pantalla: TFT
- Frecuencia de actualización: 600 Hz/1200 Hz/2000 Hz/4000 Hz/6000 Hz/25 KHz
- Matriz de píxeles: luz blanca 2*14, RGB 2*7

DATA SHEET

INFORMACIÓN GENERAL

Marca	Triton Blue
Nombre del modelo	Kosmos 1200 IP65
Número de código	10297857
Número EAN	7427254442807

FUENTE DE LUZ

Fuente	392 piezas* 1,5 W CW+784 piezas* 1 W RGB
CCT	2700k-8000k
Flujo luminoso	≥72600LM(valor pico)
Lux	1600Lux@5m(117°)
Vida útil de la fuente	50000H
Grados de apertura óptica	117°

SISTEMA DE COLOR

Mezcla de colores	RGB CW
CCT	2800 8000K

CUERPO

Inclinación	180°
Cuerpo	Alación de aluminio y magnesio fundido
Color del cuerpo	Negro

NIVEL DE RUIDO

Modo de ventilador automático	Sí
-------------------------------	----

CONTROL

Protocols	DMX512/RDM/Art-Net/sACN
DMX Channels	8CH/11CH/13CH/24CH/30CH/74 CH/97CH
Wireless Control	No
RDM	Sí
Display	TFT
Display Invert	Sí
Firmware Upgrade	Sí

ELECTRÓNICA

Dimmer	Dimmer de 0 a 100 %
Curvas Dimmer	4 curvas de dimmer
Luz estroboscópica/obturador	0 a 20 Hz
Pantalla Batería	No
Temperatura de funcionamiento	-10°/45°
Control de LED	Estroboscópico blanco de 28 segmentos + Estroboscópico de color RGB de 14 segmentos

ELÉCTRICO

Alimentación de red	100~240 V CA, 50~60 Hz
Consumo máximo de energía	Brillo máximo 700 W, luz estroboscópica 1200 W
Salida (a 230 V)	1900 W
Factor de potencia	0,95 a 230 V

FÍSICO

Clasificación IP	IP65
Enfriamiento	Ventiladores de bajo ruido
Suspensión y fijación	Colgado lateral, instalación colgante
Bloqueo de giro e inclinación	No
Conexión de señal	IP DMX ENTRADA/SALIDA 5 PIN IP DMX ENTRADA/SALIDA + IP RJ45 + IP USB 5 PIN
Conexión de datos	IP Powercorn TRUE Entrada 5 PIN
Conexión de alimentación	IP Powercorn TRUE Entrada 5 PIN
Peso neto	13 kg
Dimensiones Caja principal	61 x 23 x 46 cm
Cantidad Caja principal	1
Rango de temperatura de trabajo	-20 °C ~45 °C

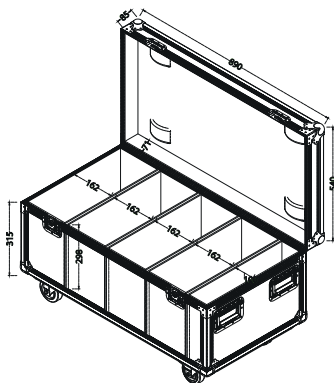
CERTIFICACIONES / APROBACIONES

Certificaciones	CE, RoHS
-----------------	----------

ACCESORIOS

Accesorios incluidos	ES 5 PIN REAN, cuerda de seguridad, manual Flightcase
Accesorios opcionales	Flightcase

Kosmos 1200 IP65 FC Flightcase

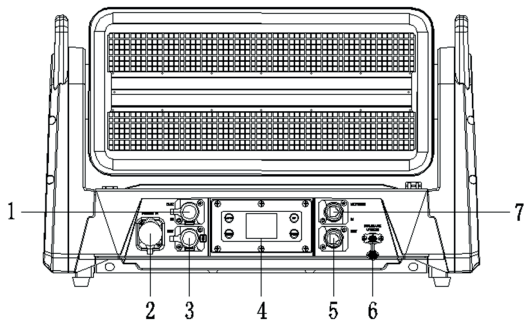


PANEL DE CONTROL

ENGLISH

ESPAÑOL

DMX



1. Botones de operación del panel: modo, ARRIBA, Abajo, Enter
2. Entrada de alimentación: cable POWER CON IP65 Voltaje de entrada: 100-240 V 50/60 HZ
3. Salida de alimentación: cable de alimentación POWER CON IP65 Voltaje de salida: 100-240 V 50/60 HZ
4. Entrada ART-NET: entrada de conexión de red
5. Entrada DMX: entrada de línea de señal DMX impermeable de 5 pines
6. Salida DMX: salida de línea de señal DMX impermeable de 5 pines
7. Salida ART-NET: salida de conexión de red

Las operaciones específicas de las funciones del panel son las siguientes:

Descripción de la función del panel de visualización

Presione el botón ARRIBA o ABAJO si desea navegar por las distintas opciones de configuración.

Presione el botón ENTER para guardar su configuración o ingresar al siguiente menú.

Presione el botón ARRIBA o ABAJO para cambiar.

Presione el botón Menú para regresar al menú superior uno por uno.

FUNCIÓN DEL MENÚ

Main Level		Programming Levels
1	Protocol	DMX512
		Art-Net
		sACN
2	DMX Address	1-512*
3	DMX Channel	8CH
		11CH
		13CH
		24CH
		30CH
		74CH
		97CH

4	Static	Fixed Color	R	
			G	
			B	
			GB	
			RB	
			RG	
			RGB	
5	Plate FX	Manual Color Mixer	Red	0-255
			Green	
			Blue	
		Plate FX 1 Plate FX 2 Plate FX 3 Plate FX 4 Plate FX 5 Plate FX 6 Plate FX 7 Plate FX 8 Plate FX 9	Speed	1-100
			Plate Intensity	000-255
			Background Color	R
				G
				B
				GB
				RB
				RG
				RGB
			Off	
			Foreground Color	R
				G
				B
				GB
RB				
RG				
RGB				
Off				
6	Beam Intensity	000-255		
7	Beam Flash Duration	000-255		
8	Beam Flash Rate	000-255		
9	Tilt	000-255		
10	Tilt Offset	000-255		
11	Tilt Invert	No		
		Yes		
12	Pixel Invert	Plate1 Invert	No	
			Yes	
		Plate2 Invert	No	
			Yes	
		Tube1 Invert	No	
			Yes	
Tube2 Invert	No			
	Yes			
13	LED Array Swap	Plate Swap	No	
			Yes	
		Beam Swap	No	
			Yes	

TRITON BLUE

ENGLISH

ESPAÑOL

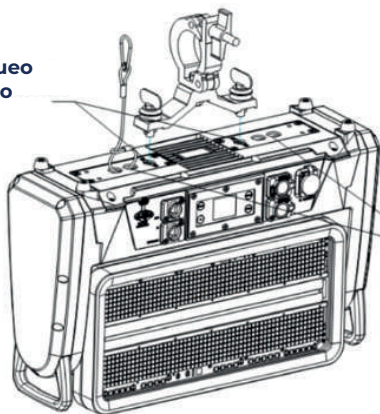
DMX

14	Master/Slave	Master	
		Slave	
15	Dimmer Mode	OFF	
		DIM1-3	
16	White Balance	Off	
		Manual	Red Green Blue
17	LED Frequency	125-255	
		600Hz 1200Hz 2000Hz 4000Hz 6000Hz 25000Hz	
18	Fan Mode	Auto	
		On	
19	Display Invert	No	
		Yes	
20	Backlight	10s	
		30s	
		2Min	
		Always On	
21	Key Lock	On	
		Off	
22	Ethernet Setting	Universe	0-255 (ArtNet) 1-255 (sACN)
		IP Address	2.192.0.1
23	Information	Fixture Hours:	___Hours
		LED Hours:	__H
		Disp Ver:	V_____
		Drv-Y Ver:	V__
		LED-A Ver:	V__
		LED-C Ver:	V__
		Net Ver:	V__
24	Update Firmware	Only this Unit	_____CHL ...
		Multiple Units	_____CHL ...
			_____CHL ...
		Other Fixture Type	_____CHL ...
25	Factory Reset	No	
		Yes	

INSTALACIÓN Y CONEXIÓN

Diagrama de instalación

Bloqueo rápido



Cable de seguridad

Precauciones

Este producto es apto para uso en interiores y exteriores y su nivel de protección es IP65. La lámpara debe mantenerse limpia y no debe utilizarse en entornos húmedos o polvorientos. Debe recibir mantenimiento cada tres meses.

Solo profesionales cualificados pueden instalar, operar y mantener las lámparas y asegurarse de que el funcionamiento se realice estrictamente de acuerdo con los procedimientos descritos en este manual.

Las lámparas y linternas deben instalarse en un lugar bien ventilado, al menos a 50 cm de la pared, y comprobar que los orificios de ventilación no estén obstruidos. No mire directamente a la fuente de luz para evitar daños en los ojos.

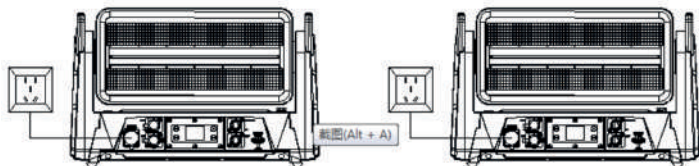
Las piezas que realizan conexiones eléctricas deben ser operadas por instaladores cualificados.

Cada lámpara debe estar conectada a tierra de forma segura y la instalación eléctrica debe realizarse de acuerdo con las normas pertinentes.

No utilice el cable de alimentación con el aislamiento dañado y no coloque el cable de alimentación sobre otros cables. Cuando la lámpara no esté en uso o limpia, desenchufe el cable de alimentación. No tire ni tire del cable de alimentación con fuerza.

Si la cubierta posterior de la lámpara está equipada con una hebilla de seguridad o un orificio de conexión, por razones de seguridad, utilice la cuerda de seguridad para pasar a través del orificio de conexión para elevación auxiliar.

Conexión de energía



ENTRADA DE ENERGÍA

Este producto utiliza un cable de alimentación de entrada/salida de alimentación

Nota: Debido a la potencia, se requiere un cable de alimentación de 1,5 mm²



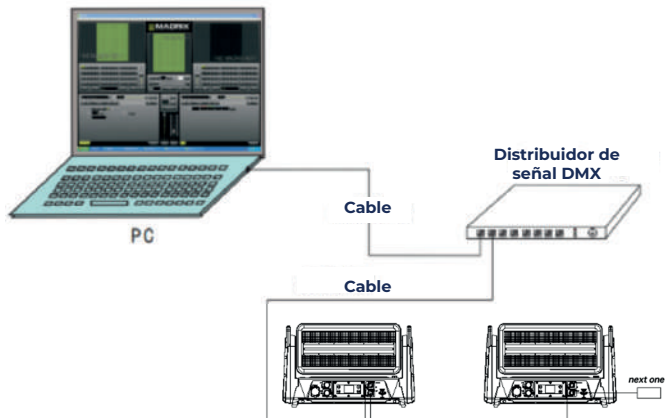
No conecte demasiadas lámparas a un solo cable de alimentación ni lo sobrecargue.

No utilice un cable de alimentación con el aislamiento dañado ni lo coloque sobre otros cables.

Cuando no utilice la lámpara o la limpie, desenchufe el cable de alimentación. No tire ni enchufe con fuerza ni arraste el cable de alimentación directamente.

Conexión de señal

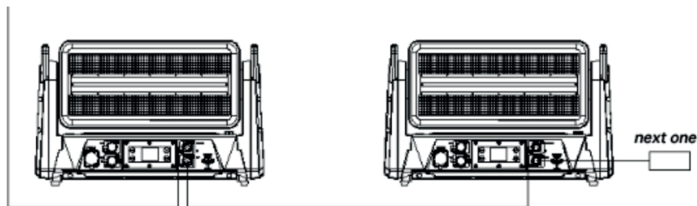
Conexión DMX



Conexión DMX

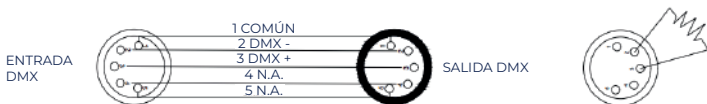
ENGLISH

ESPAÑOL



DMX

Instrucciones de conexión DMX



Para reducir los errores de señal y evitar el debilitamiento de la señal y las interferencias durante la transmisión, se puede añadir una resistencia de 120 ohmios y 1/4 W entre los dos y los tres núcleos de la salida DMX de la última máquina.

Utilice el cable de señal XLR para conectar las lámparas, un extremo al puerto de salida de la lámpara y el otro extremo al puerto de entrada de la siguiente lámpara. Las líneas de señal solo se pueden utilizar en serie, no en paralelo.

Debido a que la velocidad de transmisión de la señal DMX512 es muy rápida, cuando la línea de señal está dañada, el lugar de soldadura no es fuerte, el contacto no es bueno, etc., afectará la transmisión de la señal y provocará que el sistema se apague.

Cuando se corta la alimentación de la máquina de una determinada unidad, se omite la conexión de la salida y la entrada DMX para mantener la continuidad de la línea DMX.

Cada luz debe tener un código de dirección para poder recibir información de la consola. El terminal del sistema DMX512 debe estar equipado con un terminador para reducir los errores en la transmisión de la señal.

Configuración del código de dirección DMX

Canales	Dirección	Primera dirección	Segunda dirección	Tercera dirección	Cuarta dirección
8CH	001-008	001	009	017	025
11CH	001-011	001	012	023	034
13CH	001-013	001	014	027	040
24CH	001-024	001	025	049	063
30CH	001-030	001	031	061	091
74CH	001-074	001	075	149	223
97CH	001-097	001	098	195	292

(Consulte la imagen de arriba) La cantidad de lámparas que se agregarán después de la cuarta; el código de dirección se basa en el canal, y así sucesivamente.

SOLUCIÓN DE PROBLEMAS

Problema	Causa del problema	Acciones
No se muestra ningún menú	<ol style="list-style-type: none"> 1. No hay entrada de CA 2. La fuente de alimentación conmutada está dañada 3. Falla en la placa de visualización 	<ol style="list-style-type: none"> 1. Verifique la línea de alimentación 2. Verifique si la fuente de alimentación conmutada tiene salida de voltaje 3. Reemplace la placa de visualización
No se puede recibir la señal DMX	<ol style="list-style-type: none"> 1. La línea de señal DMX está defectuosa 2. La secuencia de cableado de la línea de señal es incorrecta 3. El CI que recibe la señal en el terminal de entrada de señal está dañado 4. La configuración del código de dirección DMX y los controles correspondientes de la consola no coinciden 5. Otros parámetros están configurados incorrectamente 6. Después de ingresar al menú sin presionar el botón de confirmación o la tecla MENU para salir al menú principal 	<ol style="list-style-type: none"> 1. Verifique o reemplace la línea de señal 2. Verifique la secuencia de cableado de las líneas de señal 3. Verifique el IC receptor de señal de la placa de visualización y ¿Están abiertas las dos resistencias conectadas en serie en la línea de señal? 4. Verifique o restablezca el código de dirección O restablezca la configuración de fábrica e intente nuevamente 5. Presione MENU para salir al menú principal
La temperatura de la superficie del cuerpo de la lámpara supera los 75° Sin protección de control de temperatura	<ol style="list-style-type: none"> 1. El termistor de la placa de la lámpara está defectuoso 2. El circuito de control de temperatura de la placa de visualización está defectuoso 	<ol style="list-style-type: none"> 1. Reemplace el termistor 2. Verifique el circuito de control de temperatura en la placa base
Mezcla de colores desigual Manchas de color desiguales	<ol style="list-style-type: none"> 1. Soldadura incorrecta de las perlas de la lámpara 2. La lente o el soporte no están instalados correctamente 	<ol style="list-style-type: none"> 1. Verifique el estado de la soldadura de la bombilla 2. Verifique el proceso de montaje de la lente Ajuste la dirección del montaje del soporte
La lámpara está apagada o parpadea un poco.	La lámpara está dañada o la placa del controlador no tiene salida de corriente	<ol style="list-style-type: none"> 1. Reemplace la perla de la lámpara 2. Reemplace las perlas de la lámpara dañadas O verifique el circuito de la placa del controlador 3. Reemplace el IC del controlador correspondiente
Los parámetros no se guardan	IC dañado para almacenar parámetros	Reemplace el IC de memoria

La luz entera no funciona

Cuando la temperatura es demasiado alta, la protección del control de temperatura provocará
La protección contra sobretensión de la fuente de alimentación conmutada no funciona

Espere a que el cuerpo de la lámpara se enfríe antes de encenderla

RECICLAJE

Embalaje:



1. El embalaje puede ser reciclado utilizando métodos de eliminación estándar y reintroducido en el ciclo de materiales reutilizables.
2. Por favor, sigue las leyes y regulaciones relativas a la eliminación y el reciclaje del embalaje en tu país.

Dispositivo:



1. Este dispositivo está sujeto a la Directiva de Residuos de Equipos Eléctricos y Electrónicos (WEEE) de la Unión Europea. Los aparatos electrónicos usados no deben ser eliminados con los residuos domésticos. Los dispositivos usados deben ser eliminados a través de una empresa de eliminación aprobada o una instalación de eliminación municipal. Por favor, cumple con las regulaciones aplicables en tu país.
2. Por favor, sigue todas las leyes y regulaciones de eliminación en tu país.
3. Como cliente, puedes obtener información sobre opciones de eliminación respetuosas con el medio ambiente del vendedor del producto o las autoridades regionales apropiadas.

DMX

97CH Channel	Function	Value	Percent/Setting
1	Tilt	000-255	0-100%
2	Fine tilt	000-255	0-100%
3	Master dimmer	000-255	0-100%
4	Plate dimmer	000-255	0-100%
5	Beam dimmer	000-255	0-100%
6	Plate flash duration	000-009	Classic shutter mode:disables duration control
		010-250	Slow to fast
		251-255	100%On,no flash/strobe
7	Plate flash rate	000-009	100%
		010-250	Slow to fast
		251-255	100%
8	Beam flash duration	000-009	Classic shutter mode:disables duration control
		010-250	Slow to fast
		251-255	100%On,no flash/strobe
9	Beam flash rate	000-009	100%
		010-250	Slow to fast
		251-255	100%
10	Plate pixel 1 red	000-255	0-100%
11	Plate pixel 1 green	000-255	0-100%
12	Plate pixel 1 blue	000-255	0-100%
13	Plate pixel 2 red	000-255	0-100%
14	Plate pixel 2 green	000-255	0-100%
15	Plate pixel 2 blue	000-255	0-100%
16	Plate pixel 3 red	000-255	0-100%
17	Plate pixel 3 green	000-255	0-100%
18	Plate pixel 3 blue	000-255	0-100%
19	Plate pixel 4 red	000-255	0-100%
20	Plate pixel 4 green	000-255	0-100%
21	Plate pixel 4 blue	000-255	0-100%
22	Plate pixel 5 red	000-255	0-100%
23	Plate pixel 5 green	000-255	0-100%
24	Plate pixel 5 blue	000-255	0-100%
25	Plate pixel 6 red	000-255	0-100%
26	Plate pixel 6 green	000-255	0-100%
27	Plate pixel 6 blue	000-255	0-100%
28	Plate pixel 7 red	000-255	0-100%
29	Plate pixel 7 green	000-255	0-100%
30	Plate pixel 7 blue	000-255	0-100%
31	Plate pixel 8 red	000-255	0-100%
32	Plate pixel 8 green	000-255	0-100%
33	Plate pixel 8 blue	000-255	0-100%
34	Plate pixel 9 red	000-255	0-100%
35	Plate pixel 9 green	000-255	0-100%
36	Plate pixel 9 blue	000-255	0-100%
37	Plate pixel 10 red	000-255	0-100%

TRITON BLUE

ENGLISH

ESPAÑOL

DMX

38	Plate pixel 10 green	000-255	0-100%
39	Plate pixel 10 blue	000-255	0-100%
40	Plate pixel 11 red	000-255	0-100%
41	Plate pixel 11 green	000-255	0-100%
42	Plate pixel 11 blue	000-255	0-100%
43	Plate pixel 12 red	000-255	0-100%
44	Plate pixel 12 green	000-255	0-100%
45	Plate pixel 12 blue	000-255	0-100%
46	Plate pixel 13red	000-255	0-100%
47	Plate pixel 13 green	000-255	0-100%
48	Plate pixel 13 blue	000-255	0-100%
49	Plate pixel 14 red	000-255	0-100%
50	Plate pixel 14 green	000-255	0-100%
51	Plate pixel 14 blue	000-255	0-100%
52	Beam pixel 1	000-255	0-100%
53	Beam pixel 2	000-255	0-100%
54	Beam pixel 3	000-255	0-100%
55	Beam pixel 4	000-255	0-100%
56	Beam pixel 5	000-255	0-100%
57	Beam pixel 6	000-255	0-100%
58	Beam pixel 7	000-255	0-100%
59	Beam pixel 8	000-255	0-100%
60	Beam pixel 9	000-255	0-100%
61	Beam pixel 10	000-255	0-100%
62	Beam pixel 11	000-255	0-100%
63	Beam pixel 12	000-255	0-100%
64	Beam pixel 13	000-255	0-100%
65	Beam pixel 14	000-255	0-100%
66	Beam pixel 15	000-255	0-100%
67	Beam pixel 16	000-255	0-100%
68	Beam pixel 17	000-255	0-100%
69	Beam pixel 18	000-255	0-100%
70	Beam pixel 19	000-255	0-100%
71	Beam pixel 20	000-255	0-100%
72	Beam pixel 21	000-255	0-100%
73	Beam pixel 22	000-255	0-100%
74	Beam pixel 23	000-255	0-100%
75	Beam pixel 24	000-255	0-100%
76	Beam pixel 25	000-255	0-100%
77	Beam pixel 26	000-255	0-100%
78	Beam pixel 27	000-255	0-100%
79	Beam pixel 28	000-255	0-100%
80	Beam FX	000-005	No function
		006-042	Ramp up
		043-085	Ramp down
		086-128	Ramp up-down
		129-171	Random
		172-214	Lightning
		215-255	Spikes

81	Plates foreground	000-000	No function
		001-002	White(2700K)
		003-004	White(3200K)
		005-006	White(4200K)
		007-008	White(5600K)
		009-010	White(8000K)
		011	Blue. R:0, G:0, B:255, W:0
		012-048	Green+/Blue. R:0, G:+, B:255, W:0
		049	Cyan. R:0, G:255, B:255, W:0
		050-086	Green/Blue-. R:0, G:255, B:-, W:0
		087	Green. R:0, G:255, B:0, W:0
		088-124	Red+/Green. R:+, G:255, B:0, W:0
		125	Yellow. R:255, G:255, B:0, W:0
		126-162	Red/Green-. R:255, G:-, B:0, W:0
		163	Red. R:255, G:0, B:0, W:0
		164-200	Red/Blue+. R:255, G:0, B:+, W:0
		201	Magenta. R:255, G:0, B:255, W:0
		202-238	Red-/Blue. R:-, G:0, B:255, W:0
		239	Blue. R:0, G:0, B:255, W:0
		240-247	Color index,fast to slow
248-255	Color snap,fast to slow		
82	Plate foreground dimmer	000-255	0-100%
83	Plate background	000-000	No function
		001-002	White(2700K)
		003-004	White(3200K)
		005-006	White(4200K)
		007-008	White(5600K)
		009-010	White(8000K)
		011	Blue. R:0, G:0, B:255, W:0
		012-048	Green+/Blue. R:0, G:+, B:255, W:0
		049	Cyan. R:0, G:255, B:255, W:0
		050-086	Green/Blue-. R:0, G:255, B:-, W:0
		087	Green. R:0, G:255, B:0, W:0
		088-124	Red+/Green. R:+, G:255, B:0, W:0
		125	Yellow. R:255, G:255, B:0, W:0
		126-162	Red/Green-. R:255, G:-, B:0, W:0
		163	Red. R:255, G:0, B:0, W:0
		164-200	Red/Blue+. R:255, G:0, B:+, W:0
		201	Magenta. R:255, G:0, B:255, W:0
		202-238	Red-/Blue. R:-, G:0, B:255, W:0
		239	Blue. R:0, G:0, B:255, W:0
		240-247	Color index,fast to slow
248-255	Color snap,fast to slow		
84	Plate background dimmer	000-255	0-100%
85	Plate I(pixels 1-7)	000-002	Plate FX All select(all on) see Plate Patterns
	FX select (see Pixel Mapping)	003-255	

86	Plate 1(pixels 1-7) FX movement speed & direction (see Pixel Mapping)	000-005	No function
		006-124	Left to right,fast to slow
		125-130	No function
		131-249	Right to left,slow to fast
		250-255	No function
87	Plate 1(pixels 1-7)	000-002	Snap from cell to cell
	FX crossfade (see Pixel Mapping)	003-255	Fade duration:short to long
88	Plate 2(pixels 8-14)	000-002	Plate FX All select(all on)
	FX select (see Pixel Mapping)	003-255	see Plate Patterns
89	Plate 2(pixels 8-14) FX movement speed & direction (see Pixel Mapping)	000-005	No function
		006-124	Left to right,fast to slow
		125-130	No function
		131-249	Right to left,slow to fast
		250-255	No function
90	Plate 2(pixels 8-14)	000-002	Snap from cell to cell
	FX crossfade (see Pixel Mapping)	003-255	Fade duration:short to long
91	Beam 1 (pixels 1-14)	000-002	Beam FX All select(all on)
	FX select (see Pixel Mapping)	003-255	see Beam Patterns
92	Beam 1(pixels 1-14) FX movement speed & direction (see Pixel Mapping)	000-005	No function
		006-124	Left to right,fast to slow
		125-130	No function
		131-249	Right to left,slow to fast
		250-255	No function
93	Beam 1(pixels 1-14)	000-002	Snap from cell to cell
	FX crossfade (see Pixel Mapping)	003-255	Fade duration:short to long
94	Beam 2(pixels 15-28) FX select (see Pixel Mapping)	000-002	Beam FX All select(all on)
		003-255	see Beam Patterns
95	Beam 2(pixels 15-28)FX movement speed & direction (see Pixel Mapping)	000-005	No function
		006-124	Left to right,fast to slow
		125-130	No function
		131-249	Right to left,slow to fast
		250-255	No function
96	Beam 2(pixels 15-28) FX crossfade (see Pixel Mapping)	000-002	Snap from cell to cell
		003-255	Fade duration:short to long

97	Control*	000-005	No function
		006-010	Off (dimmer mode)
		011-015	Dimmer 1
		016-020	Dimmer 2
		021-025	Dimmer 3
		026-030	600 Hz
		031-035	1200 Hz
		036-040	2000 Hz
		041-045	4000 Hz
		046-050	6000 Hz
		051-055	25 KHz
		056-060	Fan mode auto
		060-065	Fan mode on
		066-070	Tilt reset
		071-075	Plate 1 invert off
		076-080	Plate 1 invert on
		081-085	Plate 2 invert off
		086-090	Plate 2 invert on
		091-095	Beam 1 invert off
		096-100	Beam 1 invert on
		101-105	Beam 2 invert off
106-110	Beam 2 invert on		
111-115	Plate swap on		
116-120	Plate swap off		
121-125	Beam swap on		
126-130	Beam swap off		
131-255	No function		

74CH			
Channel	Function	Value	Percent/Setting
1	Tilt	000-255	0-100%
2	Fine tilt	000-255	0-100%
3	Dimmer	000-255	0-100%
4	Strobe	000-009	Open
		010-079	Strobe,slow to fast
		080-149	Pulse,slow to fast
		150-219	Random Strobe,slow to fast
		220-255	Open
5	Plate pixel 1 red	000-255	0-100%
6	Plate pixel 1 green	000-255	0-100%
7	Plate pixel 1 blue	000-255	0-100%
8	Plate pixel 2 red	000-255	0-100%
9	Plate pixel 2 green	000-255	0-100%
10	Plate pixel 2 blue	000-255	0-100%
11	Plate pixel 3 red	000-255	0-100%
12	Plate pixel 3 green	000-255	0-100%
13	Plate pixel 3 blue	000-255	0-100%
14	Plate pixel 4 red	000-255	0-100%
15	Plate pixel 4 green	000-255	0-100%
16	Plate pixel 4 blue	000-255	0-100%
17	Plate pixel 5 red	000-255	0-100%

18	Plate pixel 5 green	000-255	0-100%
19	Plate pixel 5 blue	000-255	0-100%
20	Plate pixel 6 red	000-255	0-100%
21	Plate pixel 6 green	000-255	0-100%
22	Plate pixel 6 blue	000-255	0-100%
23	Plate pixel 7 red	000-255	0-100%
24	Plate pixel 7 green	000-255	0-100%
25	Plate pixel 7 blue	000-255	0-100%
26	Plate pixel 8 red	000-255	0-100%
27	Plate pixel 8 green	000-255	0-100%
28	Plate pixel 8 blue	000-255	0-100%
29	Plate pixel 9 red	000-255	0-100%
30	Plate pixel 9 green	000-255	0-100%
31	Plate pixel 9 blue	000-255	0-100%
32	Plate pixel 10 red	000-255	0-100%
33	Plate pixel 10 green	000-255	0-100%
34	Plate pixel 10 blue	000-255	0-100%
35	Plate pixel 11 red	000-255	0-100%
36	Plate pixel 11 green	000-255	0-100%
37	Plate pixel 11 blue	000-255	0-100%
38	Plate pixel 12 red	000-255	0-100%
39	Plate pixel 12 green	000-255	0-100%
40	Plate pixel 12 blue	000-255	0-100%
41	Plate pixel 13 red	000-255	0-100%
42	Plate pixel 13 green	000-255	0-100%
43	Plate pixel 13 blue	000-255	0-100%
44	Plate pixel 14 red	000-255	0-100%
45	Plate pixel 14 green	000-255	0-100%
46	Plate pixel 14 blue	000-255	0-100%
47	Beam pixel 1	000-255	0-100%
48	Beam pixel 2	000-255	0-100%
49	Beam pixel 3	000-255	0-100%
50	Beam pixel 4	000-255	0-100%
51	Beam pixel 5	000-255	0-100%
52	Beam pixel 6	000-255	0-100%
53	Beam pixel 7	000-255	0-100%
54	Beam pixel 8	000-255	0-100%
55	Beam pixel 9	000-255	0-100%
56	Beam pixel 10	000-255	0-100%
57	Beam pixel 11	000-255	0-100%
58	Beam pixel 12	000-255	0-100%
59	Beam pixel 13	000-255	0-100%
60	Beam pixel 14	000-255	0-100%
61	Beam pixel 15	000-255	0-100%
62	Beam pixel 16	000-255	0-100%
63	Beam pixel 17	000-255	0-100%
64	Beam pixel 18	000-255	0-100%
65	Beam pixel 19	000-255	0-100%
66	Beam pixel 20	000-255	0-100%

67	Beam pixel 21	000-255	0-100%
68	Beam pixel 22	000-255	0-100%
69	Beam pixel 23	000-255	0-100%
70	Beam pixel 24	000-255	0-100%
71	Beam pixel 25	000-255	0-100%
72	Beam pixel 26	000-255	0-100%
73	Beam pixel 27	000-255	0-100%
74	Beam pixel 28	000-255	0-100%

30CH			
Channel	Function	Value	Percent/Setting
1	Tilt	000-255	0-100%
2	Fine tilt	000-255	0-100%
3	Master dimmer	000-255	0-100%
4	Plate dimmer	000-255	0-100%
5	Beam dimmer	000-255	0-100%
6	Plate flash duration	000-009	Classic shutter mode:disables duration control
		010-250	Slow to fast
		251-255	100%On,no flash/strobe
7	Plate flash rate	000-009	100%
		010-250	Slow to fast
		251-255	100%
8	Beam flash duration	000-009	Classic shutter mode:disables duration control
		010-250	Slow to fast
		251-255	100%On,no flash/strobe
9	Beam flash rate	000-009	100%
		010-250	Slow to fast
		251-255	100%
10	Plates red	000-255	0-100%
11	Plates green	000-255	0-100%
12	Plates blue	000-255	0-100%
13	Beam FX	000-005	No function
		006-042	Ramp up
		043-085	Ramp down
		086-128	Ramp up-down
		129-171	Random
		172-214	Lightning
215-255	Spikes		

14	Plates foreground	000-000	No function
		001-002	White(2700K)
		003-004	White(3200K)
		005-006	White(4200K)
		007-008	White(5600K)
		009-010	White(8000K)
		011	Blue. R:0, G:0, B:255, W:0
		012-048	Green+/Blue. R:0, G:+, B:255, W:0
		049	Cyan. R:0, G:255, B:255, W:0
		050-086	Green/Blue-. R:0, G:255, B:-, W:0
		087	Green. R:0, G:255, B:0, W:0
		088-124	Red+/Green. R:+, G:255, B:0, W:0
		125	Yellow. R:255, G:255, B:0, W:0
		126-162	Red/Green-. R:255, G:-, B:0, W:0
		163	Red. R:255, G:0, B:0, W:0
		164-200	Red/Blue+. R:255, G:0, B:+, W:0
		201	Magenta. R:255, G:0, B:255, W:0
202-238	Red-/Blue. R:-, G:0, B:255, W:0		
239	Blue. R:0, G:0, B:255, W:0		
240-247	Color index,fast to slow		
248-255	Color snap,fast to slow		
15	Plates foreground dimmer	000-255	0-100%
16	Plates background	000-000	No function
		001-002	White(2700K)
		003-004	White(3200K)
		005-006	White(4200K)
		007-008	White(5600K)
		009-010	White(8000K)
		011	Blue. R:0, G:0, B:255, W:0
		012-048	Green+/Blue. R:0, G:+, B:255, W:0
		049	Cyan. R:0, G:255, B:255, W:0
		050-086	Green/Blue-. R:0, G:255, B:-, W:0
		087	Green. R:0, G:255, B:0, W:0
		088-124	Red+/Green. R:+, G:255, B:0, W:0
		125	Yellow. R:255, G:255, B:0, W:0
		126-162	Red/Green-. R:255, G:-, B:0, W:0
		163	Red. R:255, G:0, B:0, W:0
		164-200	Red/Blue+. R:255, G:0, B:+, W:0
		201	Magenta. R:255, G:0, B:255, W:0
202-238	Red-/Blue. R:-, G:0, B:255, W:0		
239	Blue. R:0, G:0, B:255, W:0		
240-247	Color index,fast to slow		
248-255	Color snap,fast to slow		
17	Plates background dimmer	000-255	0-100%
18	Plate 1(pixels 1-7)	000-002	Plate FX All select(all on) see Plate Patterns
	FX select (see Pixel Mapping)	003-255	

19	Plate 1 (pixels 1-7) FX movement speed & direction (see Pixel Mapping)	000-005	No function
		006-124	Left to right,fast to slow
		125-130	No function
		131-249	Right to left,slow to fast
		250-255	No function
20	Plate 1 (pixels 1-7) FX crossfade (see Pixel Mapping)	000-002	Snap from cell to cell
		003-255	Fade duration:short to long
21	Plate 2 (pixels 8-14) FX select (see Pixel Mapping)	000-002	Plate FX All select(all on)
		003-255	see Plate Patterns
22	Plate 2 (pixels 8-14) FX movement speed & direction (see Pixel Mapping)	000-005	No function
		006-124	Left to right,fast to slow
		125-130	No function
		131-249	Right to left,slow to fast
		250-255	No function
23	Plate 2 (pixels 8-14) FX crossfade (see Pixel Mapping)	000-002	Snap from cell to cell
		003-255	Fade duration:short to long
24	Beam 1 (pixels 1-14) FX select (see Pixel Mapping)	000-002	Beam FX All select(all on)
		003-255	see Beam Patterns
25	Beam 1 (pixels 1-14) FX movement speed & direction (see Pixel Mapping)	000-005	No function
		006-124	Left to right,fast to slow
		125-130	No function
		131-249	Right to left,slow to fast
		250-255	No function
26	Beam 1 (pixels 1-14) FX crossfade (see Pixel Mapping)	000-002	Snap from cell to cell
		003-255	Fade duration:short to long
27	Beam 2 (pixels 15-28) FX select (see Pixel Mapping)	000-002	Beam FX All select(all on)
		003-255	see Beam Patterns
28	Beam 2 (pixels 15-28) FX movement speed & direction (see Pixel Mapping)	000-005	No function
		006-124	Left to right,fast to slow
		125-130	No function
		131-249	Right to left,slow to fast
		250-255	No function
29	Beam 2 (pixels 15-28) FX crossfade (see Pixel Mapping)	000-002	Snap from cell to cell
		003-255	Fade duration:short to long

30	Control*	000-005	No function
		006-010	Off (dimmer mode)
		011-015	Dimmer 1
		016-020	Dimmer 2
		021-025	Dimmer 3
		026-030	600 Hz
		031-035	1200 Hz
		036-040	2000 Hz
		041-045	4000 Hz
		046-050	6000 Hz
		051-055	25 KHz
		056-060	Fan mode auto
		060-065	Fan mode on
		066-070	Tilt reset
		071-075	Plate 1 invert off
		076-080	Plate 1 invert on
		081-085	Plate 2 invert off
		086-090	Plate 2 invert on
		091-095	Beam 1 invert off
		096-100	Beam 1 invert on
101-105	Beam 2 invert off		
106-110	Beam 2 invert on		
111-115	Plate swap on		
116-120	Plate swap off		
121-125	Beam swap on		
126-130	Beam swap off		
131-255	No function		

24CH			
Channel	Function	Value	Percent/Setting
1	Tilt	000-255	0-100%
2	Fine tilt	000-255	0-100%
3	Master dimmer	000-255	0-100%
4	Plate dimmer	000-255	0-100%
5	Beam dimmer	000-255	0-100%
6	Plate flash duration	000-009	Classic shutter mode:disables duration control
		010-250	Slow to fast
		251-255	100% On,no flash/strobe
7	Plate flash rate	000-009	100%
		010-250	Slow to fast
		251-255	100%
8	Beam flash duration	000-009	Classic shutter mode:disables duration control
		010-250	Slow to fast
		251-255	100% On,no flash/strobe
9	Beam flash rate	000-009	100%
		010-250	Slow to fast
		251-255	100%
10	Plates red	000-255	0-100%
11	Plates green	000-255	0-100%
12	Plates blue	000-255	0-100%

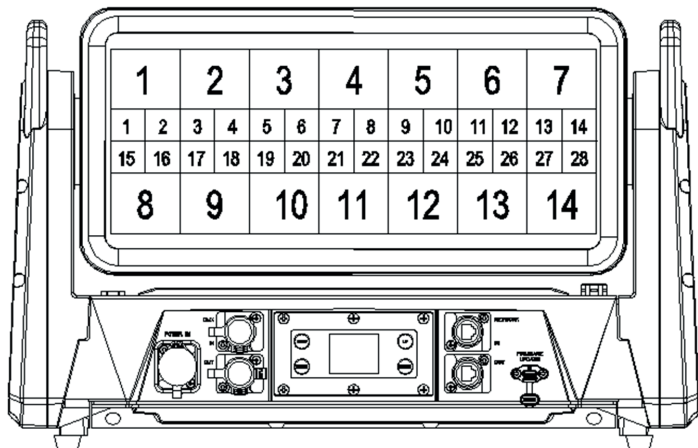
13	Beam FX	000-005	No function
		006-042	Ramp up
		043-085	Ramp down
		086-128	Ramp up-down
		129-171	Random
		172-214	Lightning
		215-255	Spikes
14	Plates foreground	000-000	No function
		001-002	White(2700K)
		003-004	White(3200K)
		005-006	White(4200K)
		007-008	White(5600K)
		009-010	White(8000K)
		011	Blue. R:0, G:0, B:255, W:0
		012-048	Green+/Blue. R:0, G:+, B:255, W:0
		049	Cyan. R:0, G:255, B:255, W:0
		050-086	Green/Blue-. R:0, G:255, B:-, W:0
		087	Green. R:0, G:255, B:0, W:0
		088-124	Red+/Green. R:+, G:255, B:0, W:0
		125	Yellow. R:255, G:255, B:0, W:0
		126-162	Red/Green-. R:255, G:-, B:0, W:0
		163	Red. R:255, G:0, B:0, W:0
		164-200	Red/Blue+. R:255, G:0, B:+, W:0
		201	Magenta. R:255, G:0, B:255, W:0
		202-238	Red-/Blue. R:-, G:0, B:255, W:0
		239	Blue. R:0, G:0, B:255, W:0
		240-247	Color index,fast to slow
248-255	Color snap,fast to slow		
15	Plates foreground dimmer	000-255	0-100%
16	Plates background	000-000	No function
		001-002	White(2700K)
		003-004	White(3200K)
		005-006	White(4200K)
		007-008	White(5600K)
		009-010	White(8000K)
		011	Blue. R:0, G:0, B:255, W:0
		012-048	Green+/Blue. R:0, G:+, B:255, W:0
		049	Cyan. R:0, G:255, B:255, W:0
		050-086	Green/Blue-. R:0, G:255, B:-, W:0
		087	Green. R:0, G:255, B:0, W:0
		088-124	Red+/Green. R:+, G:255, B:0, W:0
		125	Yellow. R:255, G:255, B:0, W:0
		126-162	Red/Green-. R:255, G:-, B:0, W:0
		163	Red. R:255, G:0, B:0, W:0
		164-200	Red/Blue+. R:255, G:0, B:+, W:0
		201	Magenta. R:255, G:0, B:255, W:0
		202-238	Red-/Blue. R:-, G:0, B:255, W:0
		239	Blue. R:0, G:0, B:255, W:0
		240-247	Color index,fast to slow
248-255	Color snap,fast to slow		

17	Plates background dimmer	000-255	0-100%
18	Plates 1&2	000-002	Plate FX All select(all on) see Plate Patterns
	FX select (see Pixel Mapping)	003-255	
19	Plates 1&2 FX movement speed & direction (see Pixel Mapping)	000-005	No function
		006-124	Left to right,fast to slow
		125-130	No function
		131-249	Right to left,slow to fast
		250-255	No function
20	Plates 1&2	000-002	Snap from cell to cell
	FX crossfade (see Pixel Mapping)	003-255	Fade duration:short to long
21	Beams 1&2	000-002	Beam FX All select(all on)
	FX select (see Pixel Mapping)	003-255	see Beam Patterns
22	Beams 1&2 FX movement speed & direction (see Pixel Mapping)	000-005	No function
		006-124	Left to right,fast to slow
		125-130	No function
		131-249	Right to left,slow to fast
		250-255	No function
23	Beams 1&2	000-002	Snap from cell to cell
	FX crossfade (see Pixel Mapping)	003-255	Fade duration:short to long
24	Control*	000-005	No function
		006-010	Off (dimmer mode)
		011-015	Dimmer 1
		016-020	Dimmer 2
		021-025	Dimmer 3
		026-030	600 Hz
		031-035	1200 Hz
		036-040	2000 Hz
		041-045	4000 Hz
		046-050	6000 Hz
		051-055	25 KHz
		056-060	Fan mode auto
		060-065	Fan mode on
		066-070	Tilt reset
		071-075	Plate 1 invert off
		076-080	Plate 1 invert on
		081-085	Plate 2 invert off
		086-090	Plate 2 invert on
		091-095	Beam 1 invert off
		096-100	Beam 1 invert on
		101-105	Beam 2 invert off
106-110	Beam 2 invert on		
111-115	Plate swap on		
116-120	Plate swap off		
121-125	Beam swap on		
126-130	Beam swap off		
131-255	No function		

13CH			
Channel	Function	Value	Percent/Setting
1	Tilt	000-255	0-100%
2	Fine tilt	000-255	0-100%
3	Plate dimmer	000-255	0-100%
4	Beam dimmer	000-255	0-100%
5	Plate flash duration	000-009	Classic shutter mode:disables duration control
		010-250	Slow to fast
		251-255	100%On,no flash/strobe
6	Plate flash rate	000-009	100%
		010-250	Slow to fast
		251-255	100%
7	Beam flash duration	000-009	Classic shutter mode:disables duration control
		010-250	Slow to fast
		251-255	100%On,no flash/strobe
8	Beam flash rate	000-009	100%
		010-250	Slow to fast
		251-255	100%
9	Plates red	000-255	0-100%
10	Plates green	000-255	0-100%
11	Plates blue	000-255	0-100%
12	Beam FX	000-005	No function
		006-042	Ramp up
		043-085	Ramp down
		086-128	Ramp up-down
		129-171	Random
		172-214	Lightning
		215-255	Spikes
13	Control*	000-005	No function
		006-010	Off (dimmer mode)
		011-015	Dimmer 1
		016-020	Dimmer 2
		021-025	Dimmer 3
		026-030	600 Hz
		031-035	1200 Hz
		036-040	2000 Hz
		041-045	4000 Hz
		046-050	6000 Hz
		051-055	25 KHz
		056-060	Fan mode auto
		060-065	Fan mode on
		066-070	Tilt reset
		071-075	Plate 1 invert off
		076-080	Plate 1 invert on
		081-085	Plate 2 invert off
		086-090	Plate 2 invert on
		091-095	Beam 1 invert off
		096-100	Beam 1 invert on
		101-105	Beam 2 invert off
		106-110	Beam 2 invert on
		111-115	Plate swap on
		116-120	Plate swap off
		121-125	Beam swap on
		126-130	Beam swap off
		131-255	No function

11CH			
Channel	Function	Value	Percent/Setting
1	Tilt	000-255	0-100%
2	Fine tilt	000-255	0-100%
3	Dimmer	000-255	0-100%
4	Plate flash duration	000-009	Classic shutter mode:disables duration control
		010-250	Slow to fast
		251-255	100%On,no flash/strobe
5	Plate flash rate	000-009	100%
		010-250	Slow to fast
		251-255	100%
6	Beam flash duration	000-009	Classic shutter mode:disables duration control
		010-250	Slow to fast
		251-255	100%On,no flash/strobe
7	Beam flash rate	000-009	100%
		010-250	Slow to fast
		251-255	100%
8	Plates red	000-255	0-100%
9	Plates green	000-255	0-100%
10	Plates blue	000-255	0-100%
11	Beam	000-255	0-100%

8CH			
Channel	Function	Value	Percent/Setting
1	Tilt	000-255	0-100%
2	Fine tilt	000-255	0-100%
3	Dimmer	000-255	0-100%
4	Strobe	000-009	Open
		010-079	Strobe,slow to fast
		080-149	Pulse,slow to fast
		150-219	Random Strobe,slow to fast
		220-255	Open
5	Red	000-255	0-100%
6	Green	000-255	0-100%
7	Blue	000-255	0-100%
8	Beam	000-255	0-100%



THIS DOCUMENT MAY BE SUBJECT TO MISPRINTS, ERRORS OR TECHNICAL MODIFICATIONS.
 ESTE DOCUMENTO PUEDE ESTAR SUJETO A FALLOS DE IMPRESIÓN, ERRORES O MODIFICACIONES TÉCNICAS
 Siluj Iluminación S.L. C/ La Raya 110 – Polígono Industrial Trobajo del Camino, 24010, León, Spain
 Made in PRC
www.triton-blue.com
 VERSION 1 OCT 2024





TRITON BLUE

Más Información | More info at
www.triton-blue.com