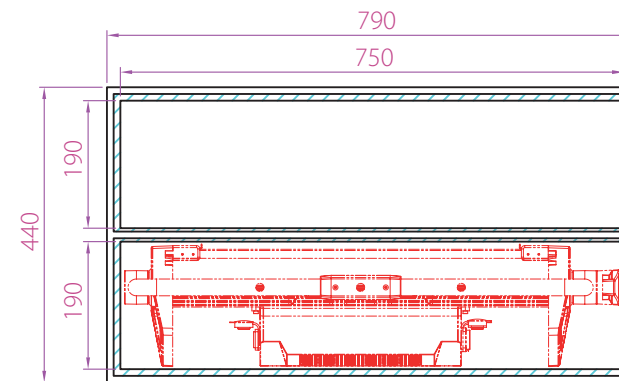
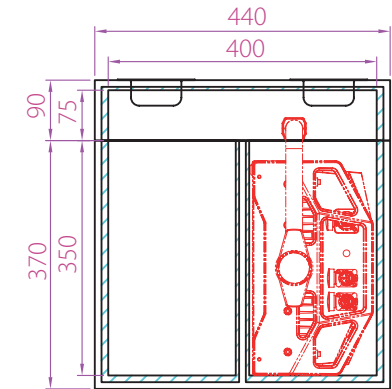
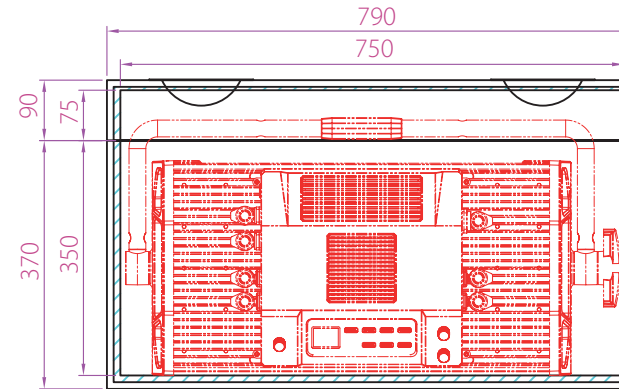
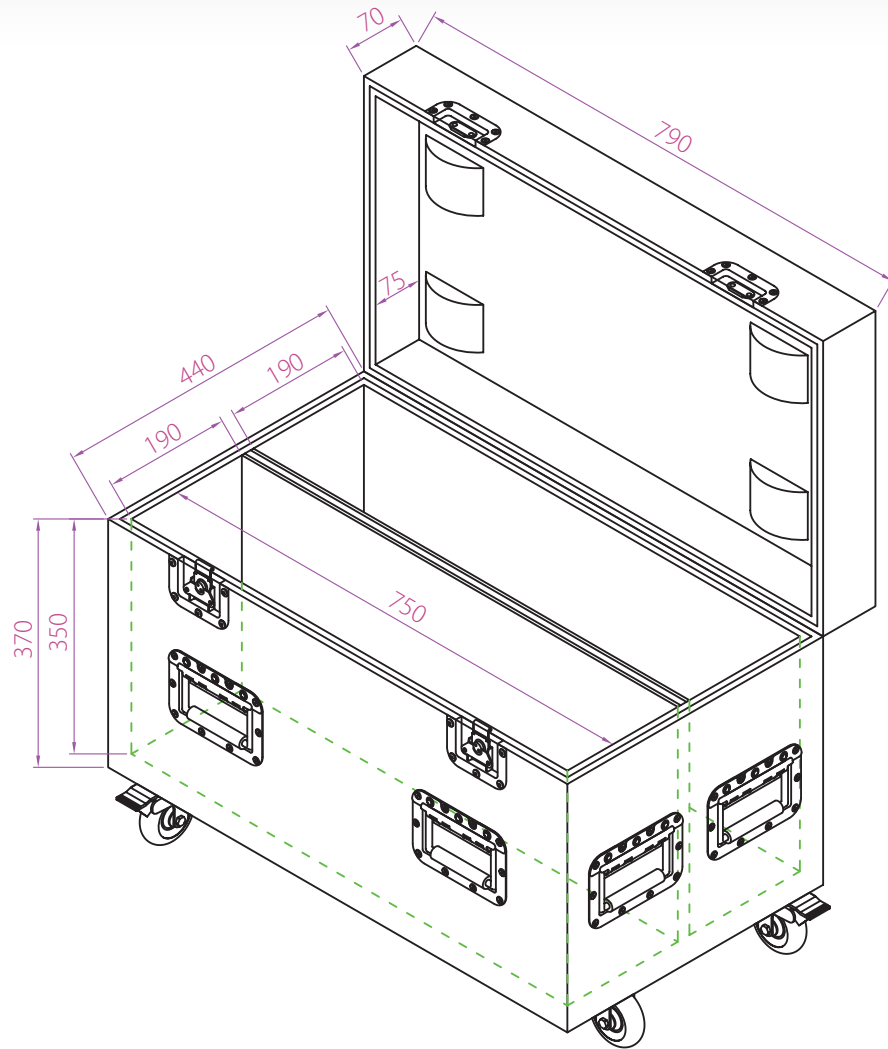


DIMENSIONS DRAWING | Flightcase for 2 NEPTUNE 400 | Triton-Blue



TRITON BLUE

Triton Blue - www.triton-blue.com.

Triton Blue is a brand of Siluj Iluminación S.L. | Calle La Raya 110, P.I. Trobajo del Camino, 24010 León, Spain. - Tfno: +34 987 261 335 - info@siluj.com
The color and images contained in this brochure are not necessarily representative of actual colors. Specifications are subject to change without notice.

