

Warnings!

1. Please change any protection screen broken! The light can never be installed on the flammable material.
2. Please avoid burning your hands when the temperature on the surface of the light reaches 250 °C .
3. The light must work according to the prescribed power supply voltage & please cut off the power when changing the bulb!

Studio Profile 19

Don't include any power supply insert, please follow the technician's advice when installing.

• **Studio Profile 19** •

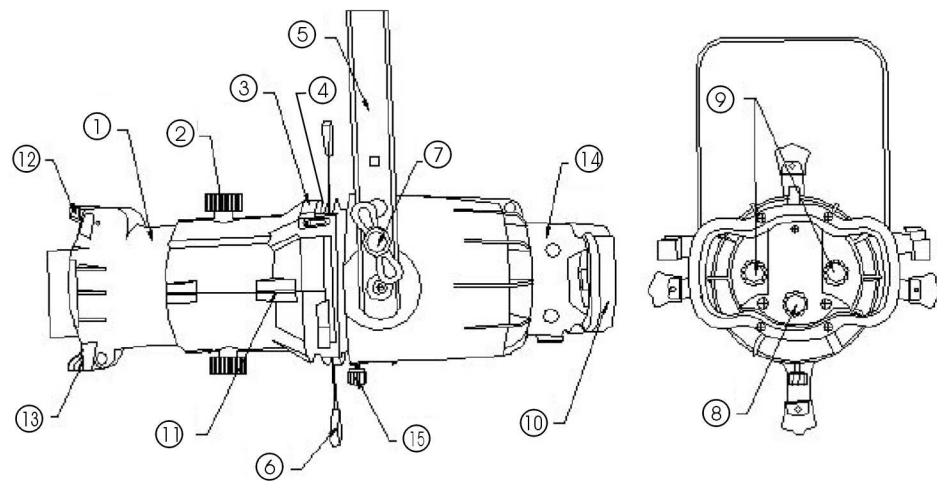
Imaging Light Use Instructions

I. General Introduction

This light, using the technology introduced from USA, adopting the advanced design of cold light sources & the reflector bowl specially designed & infrared penetrateable & supported by the dual convexes, is characterized by high light efficiency, equal light spot distribution & low light beam temperature. With the help of imaging flake & lens hood, it can get extremely clear projected images. In addition, the light body adopts the high-pressed cast aluminum shell of high quality that has beautiful & graceful shape & excellent heat dissipation, with the assistance of the infrared penetrateable reflector bowl, the temperature around the bulb is reduced, resulting in prolonging the life of the bulb. This light can be used as a spotlight for lighting, also can be used for special shaping. With its reliable, enduring design, it is the ideal light for modern stage.

1

II. The Light Shape (Studio Profile 19°, 26°, 36°, 50°)

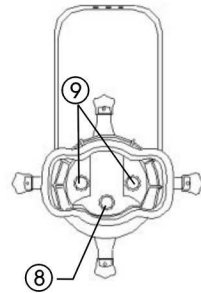
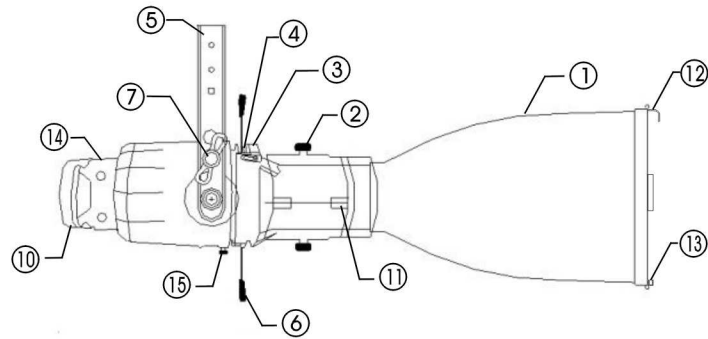


1. Front Drawtube
2. Nut for Front Drawtube
3. Slot for Iris
4. Slot for Gobo Holder
5. Handle
6. Lighting Adjustment Flake
7. Nut for Suspension Loop

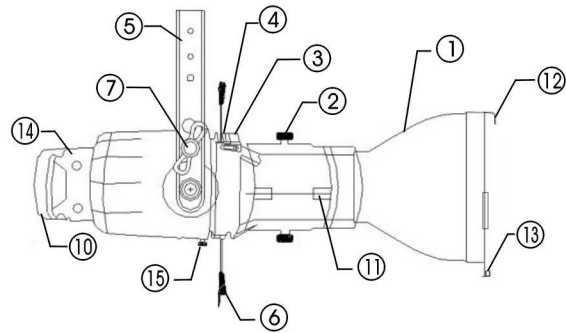
8. Bulb Adjustment Screw
9. Screw for Lamp Holder
10. Lamp Holder Handle
11. Design Adjustment Tube
12. Color Flake Calipers
13. Color Chip Frame Fixer
14. Lamp Holder
15. Screw for Design Adjustment Tube

2

II. The Light Shape (Studio Profile 5°, 10°)

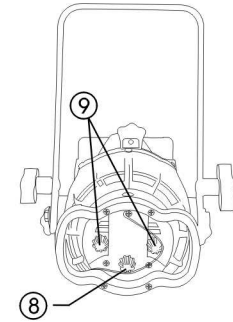
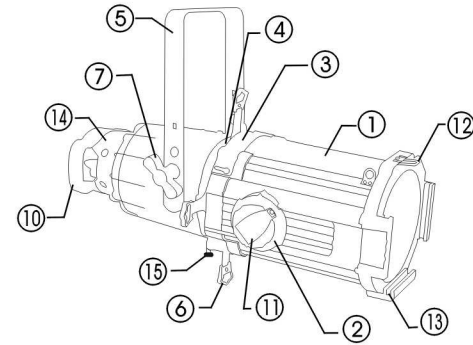


- 1. Drawtube
- 2. Nut for Front Drawtube
- 3. Slot for Iris
- 4. Slot for Gobo Holder
- 5. Handle



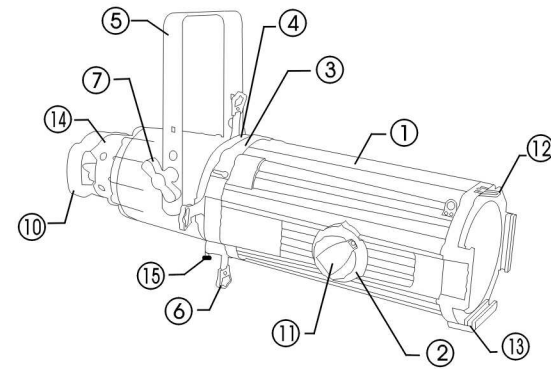
- 6. Lighting Adjustment Flake
- 7. Nut for Suspension Loop
- 8. Bulb Adjustment Screw
- 9. Screw for Lamp Holder
- 10. Lamp Holder Handle
- 11. Design Adjustment Tube
- 12. Color Flake Calipers
- 13. Color Chip Frame Fixer
- 14. Lamp Holder
- 15. Screw for Design Adjustment Tube

II. The Light Shape (Studio Profile 15°-30°, 25°-50°)



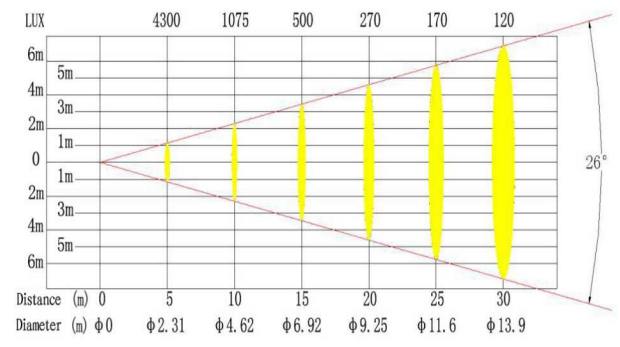
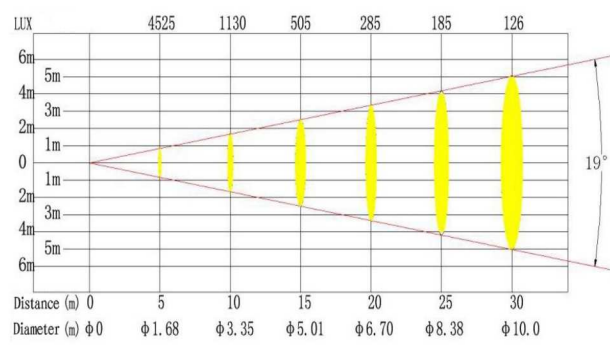
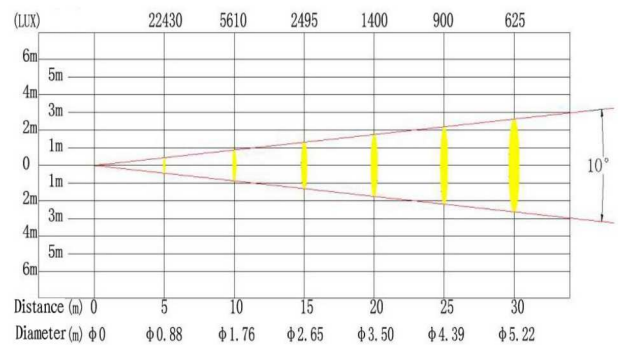
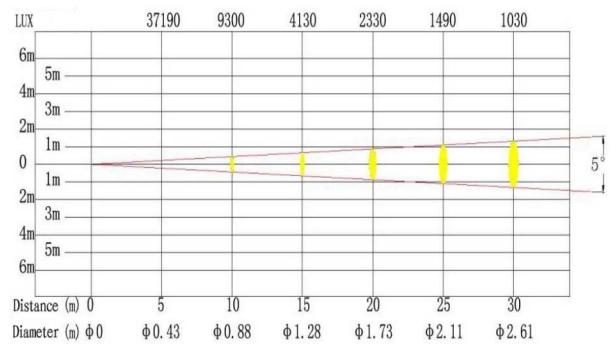
- 1. Drawtube
- 2. Lens Adjustment Dial
- 3. Slot for Iris
- 4. Slot for Gobo Holder
- 5. Handle

- 6. Lighting Adjustment Flake



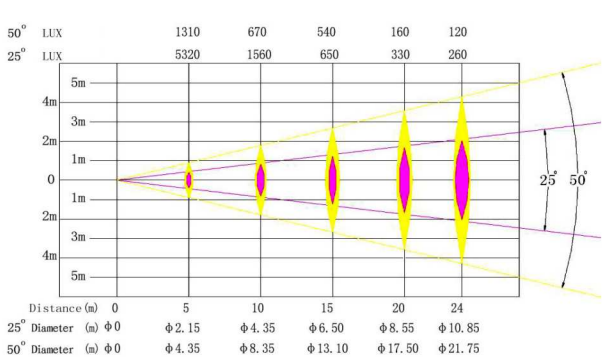
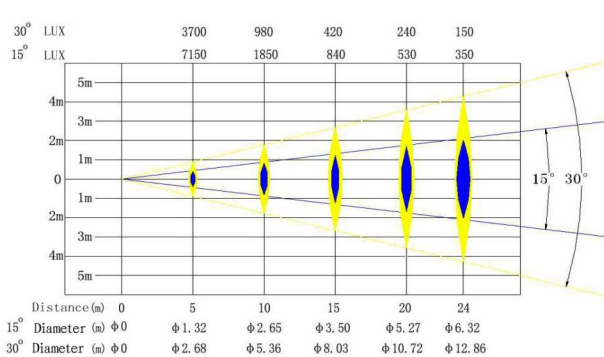
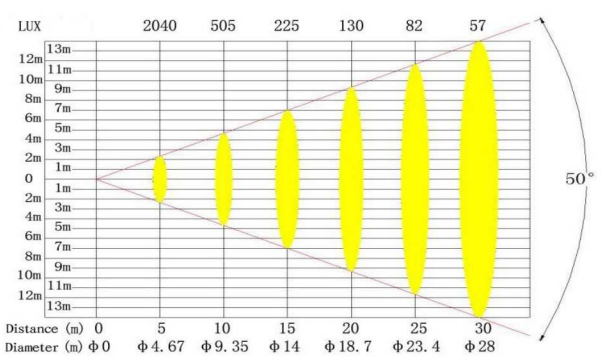
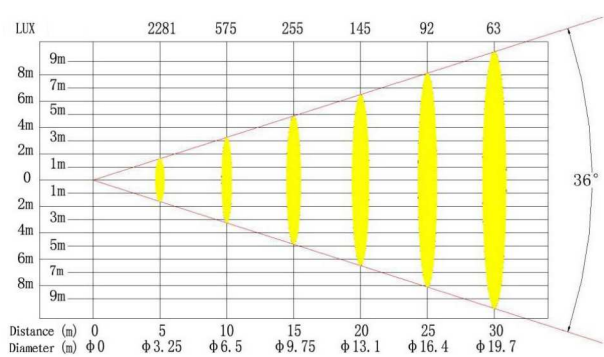
- 7. Nut for Suspension Loop
- 8. Bulb Adjustment Screw
- 9. Screw for Lamp Holder
- 10. Lamp Holder Handle
- 11. Lock
- 12. Color Flake Calipers
- 13. Color Chip Frame Fixer
- 14. Lamp Holder
- 15. Screw for Design Adjustment Tube

III. Imaging light LUX Parameter (Studio Profile 5°, 10°, 19°, 26°)



5

III. Imaging light LUX Parameter (Studio Profile 36°, 50°, 15°-30°, 25°-50°)



6

IV. Specs & Technical Characteristics

Power Supplies	AC230V 50/60Hz
Power	750W
Weight	Approx 6Kg
Lamp Model	G9.5

V. Use & Operation

1. Installing the Bulb

Loosen the Screws for the Lamp Holder ⑧ , turn out the lamp holder, insert the bulb into the lamp holder, note that the lamp should be approximately perpendicular to the lamp holder & then screw down the Screws for Lamp Holder ⑧ .

2. Adjusting

Draw out 4 Lighting Adjustment Flakes ⑤ , connect the power supply, the light is on, adjust the Bulb Adjustment Screw ⑦ until the light spots are the brightest, loosen the Nut for the Front Drawtube②, adjust the Front Drawtube ① fore and aft until the margin of the light spots are the clearest.

3. Design Flake

If wanting to get the effect of the design, you must firstly make the design flake showing inverse images. Loosen the nut for the Design Flake Fixed Slot ③ & then move it forward until the Design Bayonet comes

⑦

out & then insert the design flake. Turn on the light, adjust the Front Drawtube ① until getting the clearest design, then fasten the Front Drawtube.

4. Color Flake

If wanting colors, please clip the color flake with the color flake clip, open the Color Flake Calipers & then insert the color flake.

5. Cleaning the Lens

Notes! If the surface of the lens has been damaged obviously, please change the lens.

Warning! Never use any detergent for glasses or windows, or the rigid cloth to clear the lens, because the detergent for glasses or windows can pollute the surface of the lens & the rigid cloth can damage the surface of the lens.

The proper means is to wet a piece of clear cloth with soft nap with vinegar or home-use ammonia to clear the lens from the center, also with water, but there will be stains left by the water, which can be wiped off slightly with a piece of clear cloth.

6. Notes

- 1) Before use, please check the light whether there are any damages or loosening screws resulting from the transportation.
- 2) Insert the bulb after confirming the power supply is disconnected, never touch the glass part of the bulb directly.
- 3) Please install the light in the surroundings below 45 °C & with good ventilation,

⑧

and also keep the vent expedite.

- 4) Keep the light 50 cm away from the flammable object & the light should be grounded appropriately.
- 5) If some obvious damages see on the lens of the light, e.g. cracks or deep traces happen, please change the lens; if the bulb is damaged or deformed, please change it.
- 6) Never use the light out of the prescribed technical conditions.
- 7) The installing, cabling, adjusting or checking of the light should be operated with the power supply disconnected & by the technician.
- 8) The user cannot make bold to modify the light, otherwise, he (she) must bear the responsibilities caused.

Guarantees

The light is precisely designed & can bring its excellent functions into play in the case of proper use & maintenance. The Company offers free repair service if some damages resulting from production techniques or component errors for a year since the purchase & life-long maintenances are available.

Guarantee Terms

The guarantee of repair can be effective under the condition of proper use. All factitious damages, such as connecting the improper power supply, using improper parts, using without following the use manual,

damages resulting from transportation or other accidents, repairing or modifying without getting the permission of the Company, damages caused by improper use or negligence, improper installation & so on, are out of the range of the guarantee. This guarantee service does not include accessories, assistant devices, transportation fee & fee of follow-up customer services.

Please feel free to contact us if you meeting questions or doubts hard to solve.

- The Company reserves the right to modify the specs of the product.