



Iowa Pix 300

Wash Moving Head 19 x 15W RGBW 4-in-1 LEDs
Cabeza Móvil Wash 19 x 15W LED RGBW 4 en 1

INDEX / ÍNDICE

ENGLISH

WELCOME TO AUDIBAX.....	1
SAFETY INSTRUCTIONS.....	1
IMPORTANT INFORMATION.....	2
PACKAGE CONTENT.....	3
PRODUCT DESCRIPTION.....	3
PRODUCT ILLUSTRATION.....	3
THE INSTALLMENT OF LED MOVING HEAD.....	3
THE CONNECTION OF CONTROL CORRESPOND WIRE.....	4
THE CONNECTION OF POWER CABLE.....	5
DIFFICULT PROCESSING.....	6
FUNCTIONAL DESCRIPTION.....	6
FUNCTIONAL SETTING.....	6
PANEL OPERATION.....	7
DISPOSAL.....	7

ESPAÑOL

BIENVENIDOS A AUDIBAX.....	8
INSTRUCCIONES DE SEGURIDAD.....	8
INFORMACIÓN IMPORTANTE.....	9
CONTENIDO DEL PAQUETE.....	10
DESCRIPCIÓN DEL PRODUCTO.....	10
ILUSTRACIÓN DEL PRODUCTO.....	10
LA INSTALACIÓN DE LA CABEZA MÓVIL LED.....	10
LA CONEXIÓN DEL CABLE CORRESPONDIENTE DE CONTROL.....	11
LA CONEXIÓN DEL CABLE DE ALIMENTACIÓN.....	12
PROCESAMIENTO DIFÍCIL.....	13
DESCRIPCION FUNCIONAL.....	13
AJUSTE FUNCIONAL.....	13
FUNCIONAMIENTO DEL PANEL.....	14
RECICLAJE.....	14

DMX

DMX channel function.....	15
Función de canal DMX.....	16

DATA SHEET

- Brand: Audibax Pro
- Product Name: Audibax Pro Iowa Pix 300
- ID: 10242474
- EAN: 7.42724E+12
- Category: Lighting
- Mobile heads
- Lamp Type: Led
- Power: 250W
- Rotating gobos: No
- Number of Gobos:0
- Fixed Gobos: No
- Battery Operation: No
- Exterior Use: No
- Color Mix: RGBW
- Motorized Zoom: Yes
- Housing Color: Black
- Connections: 3-pin XLR
- Motorized Focus: No
- Prism: No
- Iris: No
- Height: 38 cm
- Width: 16.5 cm
- Depth: 25 cm
- Weights: 8Kg
- Number of LEDs: 19
- Power per LED: 15W
- Effect: No
- Wireless Control: No
- IP protection: IP20
- DMX control: Yes
- Opening Angle: 7 - 55°
- Number of Color Wheels: 0

Función de canal DMX

23 Canales:

CH 1	Ajuste panorámico	Ajuste panorámico	0---255
CH 2	Panorámico fino	Panorámico fino	0---255
CH 3	Ajuste de inclinación	Ajuste de inclinación	0---255
CH 4	Inclinación fina	Inclinación fina	0---255
CH 5	Velocidad de movimiento de giro/inclinación	De rápido a lento	0---255
CH 6	Zoom	De cerca a lejos	0---255
CH 7	Atenuación	De oscuro a brillante	0---255
CH 8	Estroboscópico	Sin función	0---15
		Luz estroboscópica de lento a rápido	16---255
CH 9	Cambio de color de LEDs	Sin función	0---15
		Cambio de color de LEDs	16---255
CH 10	Velocidad de cambio de color LEDs	De rápido a lento	0---255
CH 11	R1	De oscuro a brillante	0---255
CH 12	G1	De oscuro a brillante	0---255
CH 13	B1	De oscuro a brillante	0---255
CH 14	W1	De oscuro a brillante	0---255
CH 15	R2	De oscuro a brillante	0---255
CH 16	G2	De oscuro a brillante	0---255
CH 17	B2	De oscuro a brillante	0---255
CH 18	W2	De oscuro a brillante	0---255
CH 19	R3	De oscuro a brillante	0---255
CH 20	G3	De oscuro a brillante	0---255
CH 21	B3	De oscuro a brillante	0---255
CH 22	W3	De oscuro a brillante	0---255
CH 23	Reiniciar	Sin función	0---127
		Reiniciar	128---255

15 Canales:

CH 1	Ajuste panorámico	Ajuste panorámico	0---255
CH 2	Panorámico fino	Panorámico fino	0---255
CH 3	Ajuste de inclinación	Ajuste de inclinación	0---255
CH 4	Inclinación fina	Inclinación fina	0---255
CH 5	Velocidad de movimiento de giro/inclinación	De rápido a lento	0---255
CH 6	Zoom	De cerca a lejos	0---255
CH 7	Atenuación	De oscuro a brillante	0---255
CH 8	Estroboscópico	Sin función	0---15
		Luz estroboscópica de lento a rápido	16---255
CH 9	Cambio de color de LEDs	Sin función	0---15
		Cambio de color de LEDs	16---255
CH 10	Velocidad de cambio de color LEDs	De rápido a lento	0---255
CH 11	R	De oscuro a brillante	0---255
CH 12	G	De oscuro a brillante	0---255
CH 13	B	De oscuro a brillante	0---255
CH 14	W	De oscuro a brillante	0---255
CH 15		Sin función	0---127
		Reiniciar	128---255

Encienda la luz LED móvil, conéctela al controlador DMX, después de recibir la señal DMX, la marca de señal X desapareció, luego la luz está bajo el control del controlador DMX.

En el modo DMX, conectando varias luces juntas, pero desconectándolas con el controlador DMX, todas las luces pueden funcionar en el mismo paso. Cuando se conecta el primero al controlador, todo el grupo puede moverse en el mismo paso bajo el control del controlador DMX.

THIS DOCUMENT MAY BE SUBJECT TO MISPRINTS, ERRORS OR TECHNICAL MODIFICATIONS.
ESTE DOCUMENTO PUEDE ESTAR SUJETO A FALLOS DE IMPRESIÓN, ERRORES O MODIFICACIONES TÉCNICAS

WELCOME TO AUDIBAX

Thank you very much for choosing Audibax. We hope you enjoy your new product.

It has been developed and designed paying attention to the smallest details, with quality control with European standards supervised by our great team of professional technicians, who work every day to offer our customers the best quality.

We make sure that every Audibax product is built to last long. All our references are made with long lasting materials and our specialists are dedicated to constantly doing quality controls to guarantee the best result.

Please read carefully this manual in order to use your Audibax product in the best way. Do not hesitate to visit our website for further information: www.audibax.com

SAFETY INSTRUCTIONS

GENERAL INFORMATION

- It is important to read and follow the instructions carefully.
- Keep all information and instructions in a secure location.
- Always follow the instructions provided.
- Take note of all safety warnings and never remove them from the equipment.
- Use the equipment only as intended and for its intended purpose.
- Ensure that the stands and/or mounts used are sufficiently stable and compatible for fixed installations. Wall mounts should be properly installed and secured, and the equipment should be installed securely to prevent falls.
- When installing the equipment, be sure to observe the relevant safety regulations in your country.
- Do not install or operate the equipment near sources of heat, such as radiators, heat registers, or ovens, and ensure that it is always cooled sufficiently and cannot overheat.
- Do not place sources of ignition, such as burning candles, on the equipment.
- Keep ventilation slits unobstructed.
- For equipment designed for indoor use only should not be used near water, flammable materials, fluids, or gases. Special outdoor equipment should be used in accordance with the manufacturer's instructions.
- Ensure that no dripping or splashed water can enter the equipment and do not place containers filled with liquids on the equipment.
- Prevent objects from falling into the equipment.
- Use the equipment only with recommended accessories intended by the manufacturer.
- Do not attempt to open or modify the equipment.
- Check all cables after connecting the equipment to prevent accidents or damage due to tripping hazards.
- During transport, take steps to prevent the equipment from falling and causing damage or injury.
- If the equipment is not functioning properly, fluids or objects have gotten inside, or is otherwise damaged, switch it off immediately and unplug it from the power outlet (if applicable). Only authorized, qualified personnel should repair the equipment.
- Clean the equipment with a dry cloth.
- Comply with all applicable disposal laws and separate plastic and paper/cardboard during packaging disposal.
- Keep plastic bags out of the reach of children.

FOR DEVICES DESIGNED TO BE CONNECTED TO THE MAIN POWER SUPPLY:

- ATTENTION: If your equipment has a power cord with a grounding plug, it must be connected to a wall outlet with a ground connection. Never remove the grounding plug from the power cord.

- If your equipment has been exposed to extreme temperature changes, allow it to reach room temperature before turning it on. Otherwise, moisture and condensation may damage the equipment.

- Before plugging in the equipment, make sure that the voltage and frequency of the power outlet match the specifications of the equipment. If the equipment has a voltage selector, only connect it to the power outlet if the values match. If the power cord or adapter does not fit your outlet, contact an electrician.

- Do not step on the power cord. Make sure it is not pinched at the outlet, adapter, or equipment connection.

- Keep the power cord or adapter within reach and disconnect the equipment from the power supply when not in use or when cleaning it. Always unplug the cord or adapter by pulling the plug or adapter, not the cord. Never touch the cord or adapter with wet hands.

- Avoid frequently turning the equipment on and off, as this can reduce its useful life.

- **IMPORTANT:** Only replace fuses with those of the same type and rating. If a fuse repeatedly blows, contact an authorized service center.

- To completely disconnect the equipment from the power mains, unplug the power cord or adapter from the outlet.

- If your device has a Volex power connector, the mating Volex connector must be unlocked before it can be removed. Be careful when laying cables, as the equipment can slide or fall if the power cord is pulled.

- Unplug the power cord or adapter before an extended period of disuse or in case of lightning strike risk.

- Only install the equipment when it is disconnected from the power source.

- To prevent damage and overheating, qualified personnel should regularly clean and service the equipment depending on ambient conditions like dust, nicotine, and fog.

If the product contains the following symbols, please, read carefully:



CAUTION: To reduce the risk of electric shock, do not remove cover (or back). There are no user serviceable parts inside. Maintenance and repairs should be exclusively carried out by qualified service personnel.



The warning triangle with lightning symbol indicates dangerous uninsulated voltage inside the unit, which may cause an electrical shock.



The warning triangle with exclamation mark indicates important operating and maintenance instructions.

IMPORTANT INFORMATION**WARNING! IMPORTANT INFORMATION REGARDING LIGHTING PRODUCTS**

1. This product is specifically designed for use in event technology and is not intended to be used as household lighting.
2. It is important to avoid looking directly at the light beam, even for a short period of time.
3. Optical instruments, such as magnifiers, should not be used to look directly at the beam.
4. If you are sensitive to strobe effects, it is possible that they could cause an epileptic seizure. If you have epilepsy, it is important to avoid places where strobe lights are being used.

**DMX channel function
23 Channels:**

CH 1	Pan Adjustment	pan Adjustment	0----255
CH 2	Pan fine	Pan fine	0----255
CH 3	Tilt Adjustment	Tilt Adjustment	0----255
CH 4	Tilt fine	Tilt fine	0----255
CH 5	Pan/tilt moving speed	from fast to slow	0----255
CH 6	Zoom	from near to far	0----255
CH 7	Dimming	from dark to brightness no function	0----15 0----15
CH 8	Strobe	strobe from slow to fast no function	16----255 0----15
CH 9	LEDS color changing	LEDS color changing no function	16----255 0----15
CH 10	LEDS color changing speed	from fast to slow	0----255
CH 11	R1	from dark to bright	0----255
CH 12	G1	from dark to bright	0----255
CH 13	B1	from dark to bright	0----255
CH 14	W1	from dark to bright	0----255
CH 15	R2	from dark to bright	0----255
CH 16	C2	from dark to bright	0----255
CH 17	B2	from dark to bright	0----255
CH 18	W2	from dark to bright	0----255
CH 19	R3	from dark to bright	0----255
CH 20	C3	from dark to bright	0----255
CH 21	B3	from dark to bright	0----255
CH 22	W3	from dark to bright	0----255
CH 23	Reset	no function reset	0----127 128----255

15 Channels:

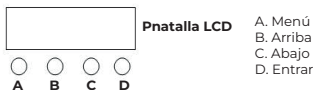
CH 1	Pan Adjustment	pan Adjustment	0----255
CH 2	Pan fine	Pan fine	0----255
CH 3	Tilt Adjustment	Tilt Adjustment	0----255
CH 4	Tilt fine	Tilt fine	0----255
CH 5	Pan/tilt moving speed	from fast to slow	0----255
CH 6	Zoom	from near to far	0----255
CH 7	Dimming	from dark to brightness no function	0----255 0----15
CH 8	Strobe	strobe from slow to fast no function	16----255 0----15
CH 9	LEDS color changing	LEDS Color changing no function	16----255 0----15
CH 10	LEDS color changing speed	from fast to slow	0----255
CH 11	R	from dark to bright	0----255
CH 12	G	from dark to bright	0----255
CH 13	B	from dark to bright	0----255
CH 14	W	from dark to bright	0----255
CH 15		no function reset	0----127 128----255

Powered on LED Moving light, connect it to the DMX controller, after receiving the DMX signal, the signal mark X disappeared, then light is under DMX controller's control.

Under DMX Mode, connecting multiple lights together, but disconnect with DMX controller, all lights can work in the same step. When connected the first one to controller, the whole group can move in the same step under DMX controller's control.

- seleccione el modo DMX, el modo automático o el modo activado por sonido,
- En modo DMX: Pulse "ARRIBA" "ABAJO" para la dirección DMX opcional;
 - En el modo autopropulsado: Presione "ARRIBA" "ABAJO" para elegir maestro o esclavo;
 - En el modo de sonido: Presione "ARRIBA" "ABAJO" para elegir maestro o esclavo

FUNCIONAMIENTO DEL PANEL



Instrucciones de funcionamiento: presione A para mostrar una función diferente, presione B o C para cambiar la función, presione D para ingresar.

Instrucciones detalladas de la función:

1. [Conjunto de dirección DMX] para configurar la dirección DMX para la luz
2. [Configuración de modo de trabajo] Para configurar diferentes modos de trabajo, 3 modos funcionan, son DMX512, AUTO, SONIDO activado. Al ingresar AUTO o SONIDO, la luz enviará señales DMX automáticamente.
3. [Invertir conjunto PAN]
4. [Invertir juego TILT]
5. [Channel Set] Para elegir diferentes modos de canal, dos tipos disponibles, 23 canales o 15 canales.
6. [Restaurar configuración de fábrica]
7. [Restablecer] Para restablecer la luz en el modo de trabajo AUTO, presione el botón hacia arriba o hacia abajo para elegir el idioma en inglés o chino.

RECICLAJE

Embalaje:



1. El embalaje puede ser reciclado utilizando métodos de eliminación estándar y reintroducido en el ciclo de materiales reutilizables.
2. Por favor, sigue las leyes y regulaciones relativas a la eliminación y el reciclaje del empaque en tu país.

Dispositivo:



1. Este dispositivo está sujeto a la Directiva de Residuos de Equipos Eléctricos y Electrónicos (WEEE) de la Unión Europea. Los aparatos electrónicos usados no deben ser eliminados con los residuos domésticos. Los dispositivos usados deben ser eliminados a través de una empresa de eliminación aprobada o una instalación de eliminación municipal. Por favor, cumple con las regulaciones aplicables en tu país.
2. Por favor, sigue todas las leyes y regulaciones de eliminación en tu país.

3. Como cliente, puedes obtener información sobre opciones de eliminación respetuosas con el medio ambiente del vendedor del producto o las autoridades regionales apropiadas.

PACKAGE CONTENT

- 1 x Iowa Pix 300
- 1 x product USER MANUAL
- 1 x Power source connected lines
- 1 x signal lines

PRODUCT DESCRIPTION

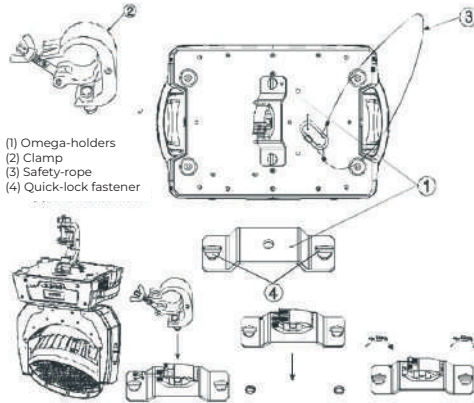
- Light source: 19*15W RGBW 4-in-1 Osram LED
- Power: 250 W
- Control signal: DMX 512, in sets at the automatic procedure
- Channel: 15/23CH, DMX512 channel control
- Motion: level 540°, vertical 280°, horizontal and vertical uses the electronic replacement function
- Color: 16.7 million kinds of colors changes
- Adjusts the light: 0-100 electron adjusts the light, various colors may alone move also may mix the color tone
- Strobe: 1-25/second high speed strobe, but single color mixes the color strobe
- ZOOM angle: 7 – 55 degree
- DMX512, Auto, Sound, Master-slave
- Voltage: AC110-260V 50/60Hz

PRODUCT ILLUSTRATION

Our product adopt semiconductor to produce radiation, LED as light origin. With advantage of operation quietly, less power waste, high brightness, gaily-colored, astigmatic, high longevity (60-100 thousands hours), non-calorific etc. Our product apply to use 3 kinds light as red, green, blue LED, synthesize turn colors under election, can create effect of auto gradual change/skip change color, frequent blinking. Can accept control by DMX512, real save power, no pollution green lighting tool.

THE INSTALLMENT OF LED MOVING HEAD

Use the four bolts with M8 size by the clip of the LED moving head to install it. Should guarantee the reliability of the install, this way is to prevent the LED moving head occur swings and skids when it's working. The weight is about 8kg of each LED moving head, before install, you should confirm the structure whether can support this weight of the LED moving head light. In order to guarantee the security, you also need to install a safety chain in the lamp body side handle.

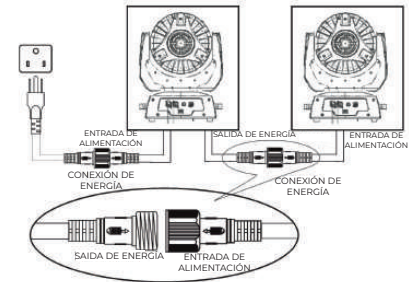


Warning: Do not use the hand of the LED moving head to up and down or fix.

THE CONNECTION OF CONTROL CORRESPOND WIRE

The connection of controller between the led moving head lamp and respectively led moving head lamp should use the twin core shielded cable, and the diameter of each core at least be 0.3mm. After receives the DMX512 signal, the lamp of nearby the address switch condition will glisten. When it's do not receive the DMX signal, the lamp will in extinguish condition, but if the signal lamp glisten continuously, the mean is the DMX signal is not be correct.

When installing, uses the DMX signal terminal is much better. It can avoid the digital control signal breached by the electrical noise. Generally speaking, the DMX terminal is Cannon plug coupling, it has a 120 ohm resistances between the 2 feet and 3 feet, it will connected on the last led moving head lamp's digital plug of the led moving head lamp chain.



Limpieza y mantenimiento

Para garantizar que la lámpara de cabeza móvil LED funcione mejor, debe mantener la lámpara en estado limpio. Sugiere limpiar el cuerpo de la lámpara y el ventilador cada 15 días. Para la placa PVS, debe limpiarla a tiempo. Cuando limpie la pieza de PVC, no use ningún limpiador soluble,

PROCESAMIENTO DIFÍCIL

Pregunta	Respuesta
La lámpara de cabeza móvil LED no puede encenderse.	Inspecciona el fusible en el panel trasero.
Aunque brilla, la lámpara de cabeza móvil LED no puede aceptar las instrucciones del controlador.	Verifique la dirección de inicio digital (ver 09) y también verifique la situación de conexión de la línea de control de comunicación (ver 03).
La lámpara de cabeza móvil LED solo puede funcionar de forma intermitente.	Inspeccione la fuente de alimentación y el voltaje es normal.
No recibe la señal DMX512	Si las líneas de señal hacen contacto bien o están rotas
El rayo de luz aparece sombríamente.	Inspeccione si la parte óptica está limpia.

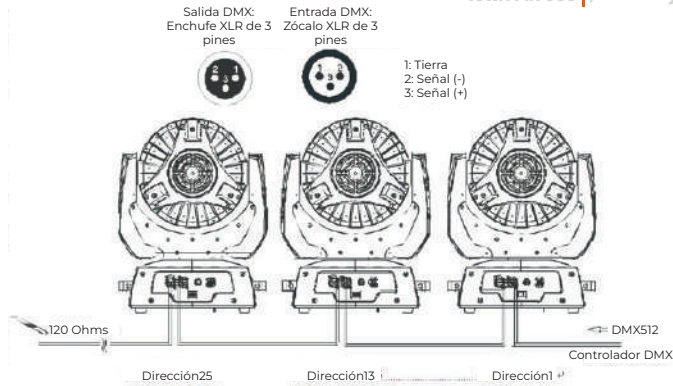
DESCRIPCION FUNCIONAL

El controlador puede controlar los tres ejes de la luz del cabezal móvil (eje PAN, eje TITL y eje Zoom), la luz tiene una lámpara LED RGBW 4IN1 de varios chips y un cabezal móvil LED RGB tricolor 3IN1, y 3 colores y 4 colores, tiene modo DMX (puede configurar la dirección DMX), modo autopropulsado (se puede configurar maestro-esclavo), modo de sonido (se puede configurar maestro/esclavo), la selección de modo se puede configurar mediante el panel o el controlador DMX 512 (esto debe configurarse en modo DMX); La luz también tiene estroboscópico/flash de frecuencia aleatoria/estroboscópico hacia fuera rápido y lento/lento hacia adelante modo estroboscópico más rápido, el salto de color/gradientes

AJUSTE FUNCIONAL

Configuración de operación rápida

El controlador puede configurar rápidamente el modo de la luz, la interfaz principal,



Conexión de señal digital DMX512,
Utilice una línea de pantalla de alta calidad para conectarlo, por temor a interferir.
DMX+



LA CONEXIÓN DEL CABLE DE ALIMENTACIÓN

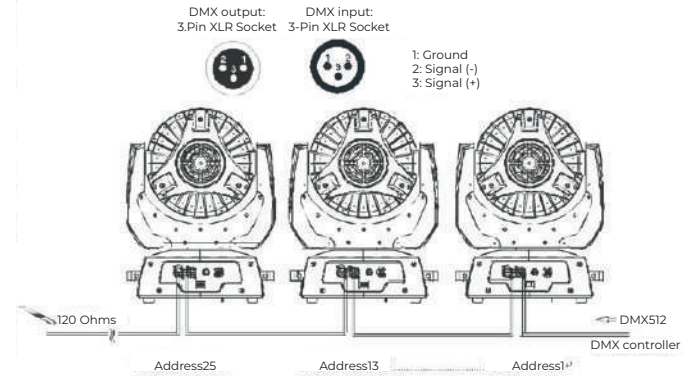
Utilice el enchufe proporcionado para conectar la alimentación principal al proyector prestando atención al voltaje y la frecuencia marcados en el panel del proyector. Se recomienda que cada proyector se suministre por separado para que puedan encenderse y apagarse individualmente.

IMPORTANTE

Es esencial que cada proyector esté correctamente conectado a tierra y que la instalación eléctrica cumpla con todos los estándares relevantes. El consumo de energía de este proyector es de 200VA.

La conexión del cable de alimentación entre la lámpara de cabeza móvil LED y la lámpara de cabeza móvil LED respectivamente debe usar el cable blindado de tres núcleos, Empalme del cable de alimentación (como máximo 4 piezas) entre sí, esta es la imagen del conector como se muestra a continuación:

Aviso importante: para evitar sobrecargar la fuente de alimentación, el cable de alimentación solo puede suministrar energía para un máximo de 4 luces.



Connecting DMX512 digital signal,
Please using high quality screen line to connect it, for fear interfering.
DMX+



THE CONNECTION OF POWER CABLE

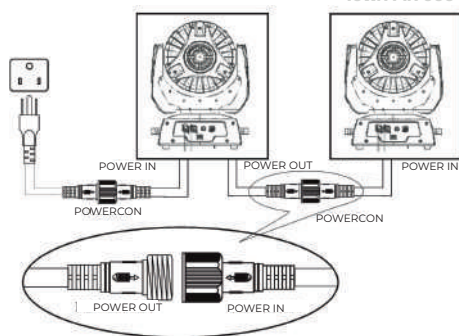
Use the provided plug to connect the main power to the projector paying attention to the voltage and frequency marked on the panel of the projector. It is recommended that each projector be supplied separately so that they may be individually switched on and off.

IMPORTANT

It is essential that each projector is correctly earthed and that electrical installation conforms to all relevant standards. Power consumption of this projector is 200VA.

The connection of Power cable between the led moving head lamp and respectively led moving head lamp should use the three core shielded cable, Power cable joint (at most 4pcs) in each other, this is the Connector picture as below:

Important Notice: In order to avoid overloading the power supply, the power cable can only supply power for at most 4 light



Clean maintenance

In order to guarantee the LED moving head lamp can work better, you should keep the lamp in clean state. Suggests clean the lamp body and fan in each 15 days. For the PVS board, you need clean it on time. When you cleaning the PVC piece, please do not use any soluble cleanser,

DIFFICULT PROCESSING

Question	Answer
The LED moving head lamp can not start.	Inspects the fuse on the rear panel.
Although shines, but the LED moving head lamp can not accept the instruction of the controller.	Check the digital start address (sees 09th) and also check the connection situation of the communication control line the (to see 03rd).
LED moving head lamp only can work intermittently.	Inspect the power supply and voltage is whether normal.
Do not receive the DMX512 signal	Whether the signal lines do contact good or broken
The light beam appears gloomily.	Inspect the optics part is whether clean.

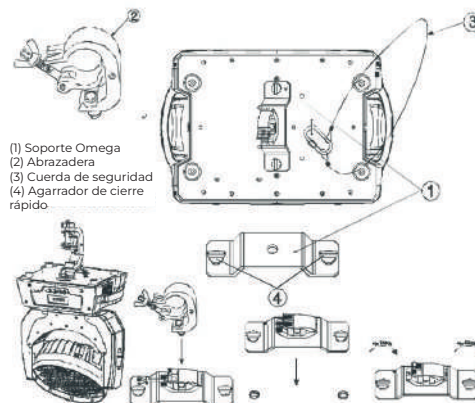
FUNCTIONAL DESCRIPTION

Controller can control Moving head light's three axes (PAN axis, TITL axis and Zoom axis), The light have RGBW 4IN1 Multi-Chip LED Lamp, and 3IN1 Tricolor RGB LED Moving Head, and 3color and 4 color, it have DMX mode (can be set DMX address), self-propelled mode (can be set up master-slave), Sound mode (can be set master / slave), The mode selection can be set by the panel or DMX 512 controller (this must be set to DMX mode); The light also have strobe / random frequency flash / strobe out fast and slow / slow forward faster strobe mode, the color jump / gradients

FUNCTIONAL SETTING

Fast operation settings

Controller can quickly set the light's mode, the main interface, followed by "ESC" key to



Advertencia: No utilice la mano del cabezal móvil LED para subir y bajar o fijar.

LA CONEXIÓN DEL CABLE CORRESPONDIENTE DE CONTROL

La conexión del controlador entre la lámpara de cabeza móvil LED y la lámpara de cabeza móvil LED respectivamente debe usar el cable blindado de doble núcleo, y el diámetro de cada núcleo debe ser al menos de 0,3 mm. Después de recibir la señal DMX512, la lámpara cercana al interruptor de dirección brillará. Cuando no recibe la señal DMX, la lámpara se apagará, pero si la lámpara de señal brilla continuamente, significa que la señal DMX no es correcta.

Al instalar, utiliza el terminal de señal DMX es mucho mejor. Puede evitar que la señal de control digital sea violada por el ruido eléctrico. En términos generales, el terminal DMX es un acoplamiento de enchufe Cannon, tiene una resistencia de 120 ohmios entre los 2 pies y los 3 pies, se conectará en el último enchufe digital de la lámpara de cabeza móvil LED de la cadena de lámparas de cabeza móvil LED.



3. No se deben utilizar instrumentos ópticos, como lupas, para mirar directamente al haz.
4. Si es sensible a los efectos estroboscópicos, es posible que le provoquen un ataque epiléptico. Si tiene epilepsia, es importante evitar los lugares donde se usan luces estroboscópicas.

CONTENIDO DEL PAQUETE

- 1 x Iowa Pix 300.
- 1 x MANUAL DEL USUARIO del producto
- 1 x líneas conectadas a la fuente de alimentación
- 1 x líneas de señal

DESCRIPCIÓN DEL PRODUCTO

- Fuente de luz: 19*15W RGBW 4 en 1 Osram LED
- Potencia: 250W
- Señal de control: DMX 512, en conjuntos en el procedimiento automático
- Canal: 15/23CH, control de canal DMX512
- Movimiento: nivel 540°, vertical 280°, horizontal y vertical utiliza la función de reemplazo electrónico
- Color: 16,7 millones de tipos de cambios de colores
- Ajusta la luz: 0-100 electrones ajusta la luz, varios colores pueden moverse solos también pueden mezclar el tono de color
- Luz estroboscópica: luz estroboscópica de alta velocidad de 1-25/segundo, pero un solo color mezcla la luz estroboscópica de color
- Ángulo de ZOOM: 7 – 55 grados
- DMX512, Auto, Sonido, Maestro-esclavo
- Voltaje: AC110-260V 50/60Hz

ILUSTRACIÓN DEL PRODUCTO

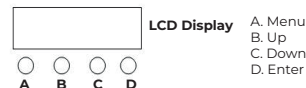
Nuestro producto adopta semiconductores para producir radiación, LED como origen de luz. Con la ventaja de un funcionamiento silencioso, menos desperdicio de energía, alto brillo, colores alegres, astigmatismo, alta longevidad (60-100 mil horas), no calórico, etc. Nuestro producto se aplica para usar 3 tipos de luz como LED rojo, verde, azul, sintetizar los colores de giro bajo elección, puede crear un efecto de cambio gradual automático/saltar cambio de color, parpadeo frecuente. Puede aceptar el control por DMX512, ahorro de energía real, herramienta de iluminación verde sin contaminación.

LA INSTALACIÓN DE LA CABEZA MÓVIL LED

Use los cuatro pernos con tamaño M8 junto al clip del cabezal móvil LED para instalarlo. Debería garantizar la confiabilidad de la instalación, de esta manera se evita que la cabeza móvil LED se balancee y patine cuando está funcionando. El peso de cada cabezal móvil LED es de aproximadamente 8 kg. Antes de la instalación, debe confirmar si la estructura puede soportar este peso del cabezal móvil LED. Para garantizar la seguridad, también debe instalar una cadena de seguridad en el asa lateral del cuerpo de la lámpara.

- select DMX mode, Auto mode or sound-activated mode,
- In DMX mode: Press "UP" "DOWN" to optional DMX address;
- In the self-propelled mode: Press "UP" "DOWN" to choose master or slave;
- In the sound mode: Press "UP" "DOWN" to choose master or slave

PANEL OPERATION



Operating instructions: Press A will show different function, Press B or C for changing function, Press D for enter.

Detailed function instruction:

1. [DMX Address Set] for setting DMX address for light
2. [Work Mode Set] For setting different work mode, 3 modes workable, they are DMX512,AUTO,SOUND Activated.. When entering AUTO or SOUND, Light will send DMX signals automatically.
3. [Invert PAN Set]
4. [Invert TILT Set]
5. [Channel Set] For choosing different Channel Mode, two kinds available,23 channels or 15 Channels.
6. [Restore Factory Settings]
7. [Reset] For resetting light in AUTO work mode, Press button up or down for choosing language in English or in Chinese.

DISPOSAL

Packaging:



1. The packaging can be recycled using standard disposal methods and reintroduced into the reusable material cycle.
2. Please follow the laws and regulations regarding disposal and recycling of packaging in your country.

Device:



1. This device is subject to the Waste Electrical and Electronic Equipment (WEEE) Directive of the European Union. Used appliances should not be disposed of with household waste. Used device must be disposed of through an approved disposal company or a municipal disposal facility. Please comply with the applicable regulations in your country.
2. Please follow all the disposal laws and regulations in your country.
3. As a customer, you can obtain information on environmentally-friendly disposal options from the product seller or the appropriate regional authorities.

BIENVENIDO A AUDIBAX

Muchas gracias por elegir Audibax. Esperamos que disfrute de su nuevo producto. Ha sido desarrollado y diseñado cuidando hasta el más mínimo detalle, con un control de calidad con estándares europeos supervisado por nuestro gran equipo de técnicos profesionales, que trabajan día a día para ofrecer a nuestros clientes la mejor calidad.

Nos aseguramos de que cada producto Audibax esté diseñado para durar mucho tiempo. Todas nuestras referencias están fabricadas con materiales de larga duración y nuestros especialistas se dedican a realizar constantemente controles de calidad para garantizar el mejor resultado.

Lea atentamente este manual para utilizar su producto Audibax de la mejor manera. No dudes en visitar nuestra web para más información: www.audibax.com

INSTRUCCIONES DE SEGURIDAD

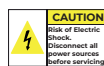
INFORMACIÓN GENERAL

- Es importante leer y seguir las instrucciones cuidadosamente.
- Guarde toda la información y las instrucciones en un lugar seguro.
- Siga siempre las instrucciones proporcionadas.
- Tome nota de todas las advertencias de seguridad y nunca las quite del equipo.
- Utilice el equipo únicamente según lo previsto y para el fin previsto.
- Asegúrese de que los soportes y/o soportes utilizados sean lo suficientemente estables y compatibles para instalaciones fijas. Los soportes de pared deben asegurarse correctamente, y el equipo debe instalarse de forma segura para evitar caídas.
- Al instalar el equipo, asegúrese de observar las normas de seguridad pertinentes de su país.
- No instale ni utilice el equipo cerca de fuentes de calor, como radiadores, rejillas de calor u hornos, y asegúrese de que siempre se enfríe lo suficiente y no se sobrecaliente.
- No coloque fuentes de ignición, como velas encendidas, sobre el equipo.
- Mantenga las ranuras de ventilación despejadas.
- Equipos diseñados solo para uso en interiores y no debe usarse cerca de agua, materiales inflamables, líquidos o gases. Se debe usar para exteriores de acuerdo con las instrucciones del fabricante.
- Asegúrese de que no entren gotas o salpicaduras de agua en el equipo y no coloque recipientes llenos de líquidos sobre el equipo.
- Evite que caigan objetos dentro del equipo.
- Utilice el equipo únicamente con los accesorios recomendados por el fabricante.
- No intente abrir o modificar el equipo.
- Verifique todos los cables después de conectar el equipo para evitar accidentes o daños debido a riesgos de tropiezos.
- Durante el transporte, tome medidas para evitar que el equipo se caiga y cause daños o lesiones.
- Si el equipo no funciona correctamente, se han metido líquidos u objetos en su interior o está dañado, apáguelo inmediatamente y desenchúfelo de la toma de corriente (si corresponde). Solo personal autorizado y cualificado debe reparar el equipo.
- Limpie el equipo con un paño seco.
- Cumpla con todas las leyes de eliminación aplicables y separe el plástico y el papel/cartón durante la eliminación del embalaje.
- Mantenga las bolsas de plástico fuera del alcance de los niños

PARA DISPOSITIVOS DISEÑADOS PARA SER CONECTADOS A LA FUENTE DE ALIMENTACIÓN PRINCIPAL:

- **ATENCIÓN:** Si su equipo tiene un cable de alimentación con un enchufe con conexión a tierra, debe conectarse a un tomacorriente de pared con conexión a tierra. Nunca retire el enchufe de conexión a tierra del cable de alimentación.
- Si su equipo ha estado expuesto a cambios extremos de temperatura, permita que alcance la temperatura ambiente antes de encenderlo. De lo contrario, la humedad y la condensación pueden dañar el equipo.
- Antes de enchufar el equipo, asegúrese de que el voltaje y la frecuencia del tomacorriente coincidan con las especificaciones del equipo. Si el equipo dispone de selector de tensión, sólo conéctelo a la toma de corriente si los valores coinciden. Si el cable de alimentación o el adaptador no se ajustan a su toma de corriente, comuníquese con un electricista.
- No pise el cable de alimentación. Asegúrese de que no esté pellizcado en la toma de corriente, el adaptador o la conexión del equipo.
- Mantenga el cable de alimentación o el adaptador al alcance de la mano y desconecte el equipo de la fuente de alimentación cuando no esté en uso o cuando lo esté limpiando. Desenchufe siempre el cable o el adaptador tirando del enchufe o del adaptador, no del cable. Nunca toque el cable o el adaptador con las manos mojadas.
- Evite encender y apagar el equipo con frecuencia, ya que esto puede reducir su vida útil.
- **IMPORTANTE:** Solo reemplace los fusibles con aquellos del mismo tipo y clasificación. Si un fusible se quema repetidamente, comuníquese con un centro de servicio autorizado.
- Para desconectar completamente el equipo de la red eléctrica, desenchufe el cable de alimentación o el adaptador de la toma de corriente.
- Si su dispositivo tiene un conector de alimentación Volex, el conector Volex correspondiente debe desbloquearse antes de poder retirarlo. Tenga cuidado al tender los cables, ya que el equipo puede deslizarse o caerse si se tira del cable de alimentación.
- Desenchufe el cable de alimentación o el adaptador antes de un período prolongado de desuso o en caso de riesgo de caída de rayos.
- Instale el equipo únicamente cuando esté desconectado de la fuente de alimentación.
- Para evitar daños y sobrecalentamiento, el personal calificado debe limpiar y reparar el equipo con regularidad según las condiciones ambientales, como polvo, nicotina y niebla.

Si el producto contiene los siguientes símbolos, lea atentamente:



PRECAUCIÓN: Para reducir el riesgo de descarga eléctrica, no retire la tapa (o la parte trasera). No hay partes reparables por el usuario adentro. El mantenimiento y las reparaciones deben ser realizados exclusivamente por personal de servicio cualificado.



El triángulo de advertencia con el símbolo de un rayo indica un voltaje no aislado peligroso dentro de la unidad, que puede causar una descarga eléctrica.



El triángulo de advertencia con signo de exclamación indica instrucciones importantes de operación y mantenimiento.

INFORMACIÓN IMPORTANTE

¡ADVERTENCIA! INFORMACIÓN IMPORTANTE SOBRE PRODUCTOS DE ILUMINACIÓN

1. Este producto está diseñado específicamente para su uso en tecnología de eventos y no está diseñado para usarse como iluminación doméstica.
2. Es importante evitar mirar directamente al haz de luz, incluso durante un breve período de tiempo.