

IOWA 360 ZOOM

Wash Moving Head 36 x 10W RGBW 4-in-1 LEDs
Cabeza Móvil Wash 36 x 10W LED RGBW 4 en 1

INDEX / ÍNDICE**ENGLISH**

WELCOME TO AUDIBAX.....	1
SAFETY INSTRUCTIONS.....	1
IMPORTANT INFORMATION.....	2
PACKAGE CONTENT.....	3
PRODUCT DESCRIPTION.....	3
INSTALLATION OF CLAMPS.....	3
INTRODUCTION TO THE FUNCTION.....	4
MENU OPERATION.....	4
DISPOSAL.....	5

ESPAÑOL

BIENVENIDOS A AUDIBAX.....	6
INSTRUCCIONES DE SEGURIDAD.....	6
INFORMACIÓN IMPORTANTE.....	7
CONTENIDO DEL PAQUETE.....	8
DESCRIPCIÓN DEL PRODUCTO.....	8
INSTALACIÓN DE ABRAZADERAS.....	8
INTRODUCCIÓN A LA FUNCIÓN.....	9
OPERACIÓN DEL MENÚ.....	9
RECICLAJE.....	10

DMX

DMX TABLE.....	11
TABLA DMX.....	12

DATA SHEET

- Brand: Audibax Pro
- Product Name: Audibax Pro Iowa 360 Zoom
- ID: 10242472
- EAN: 7.42724E+12
- Category: Lighting
- Mobile heads
- Lamp Type: Led
- Power: 450W
- Rotating gobos: No
- Number of Gobos: 0
- Fixed Gobos: No
- Battery Operation: No
- Exterior Use: No
- Color Mix: RGBW
- Motorized Zoom: Yes
- Housing Color: Black
- Connections: 3 Pin XLR
- Motorized Focus: No
- Prism: No
- Iris: No
- Height: 40 cm
- Width: 21 cm
- Depth: 32.5 cm
- Weight: 11 Kg
- Number of LEDs: 36
- Power per LED: 10W
- Effect: No
- Wireless Control: No
- IP protection: IP20
- DMX control: Yes
- Color Temperature: 8500K
- Number of Color Wheels: 0

TABLA DMX

Canal	Función	Valor
1	X (panorámica)	000-255
2	Y (inclinación)	000-255
3	Velocidad XY	000-255
4	Atenuador general	000-255
5	Rojo 1er grupo	000-255
6	Verde 1er grupo	000-255
7	Azul 1er grupo	000-255
8	Blanco 1er grupo	000-255
9	Estroboscópico	000-255
10	Zoom	000-255
11	Modo de función	000-255
12	Velocidad del modo de función	000-255
13	X panorámico fino	000-255
14	Y inclinación fina	000-255
15	Reiniciar	000-249 sin efecto 250-255 reinicio

WELCOME TO AUDIBAX

Thank you very much for choosing Audibax. We hope you enjoy your new product.

It has been developed and designed paying attention to the smallest details, with quality control with European standards supervised by our great team of professional technicians, who work every day to offer our customers the best quality.

We make sure that every Audibax product is built to last long. All our references are made with long lasting materials and our specialists are dedicated to constantly doing quality controls to guarantee the best result.

Please read carefully this manual in order to use your Audibax product in the best way. Do not hesitate to visit our website for further information: www.audibax.com

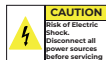
SAFETY INSTRUCTIONS

GENERAL INFORMATION

- It is important to read and follow the instructions carefully.
- Keep all information and instructions in a secure location.
- Always follow the instructions provided.
- Take note of all safety warnings and never remove them from the equipment.
- Use the equipment only as intended and for its intended purpose.
- Ensure that the stands and/or mounts used are sufficiently stable and compatible for fixed installations. Wall mounts should be properly installed and secured, and the equipment should be installed securely to prevent falls.
- When installing the equipment, be sure to observe the relevant safety regulations in your country.
- Do not install or operate the equipment near sources of heat, such as radiators, heat registers, or ovens, and ensure that it is always cooled sufficiently and cannot overheat.
- Do not place sources of ignition, such as burning candles, on the equipment.
- Keep ventilation slits unobstructed.
- For equipment designed for indoor use only should not be used near water, flammable materials, fluids, or gases. Special outdoor equipment should be used in accordance with the manufacturer's instructions.
- Ensure that no dripping or splashed water can enter the equipment and do not place containers filled with liquids on the equipment.
- Prevent objects from falling into the equipment.
- Use the equipment only with recommended accessories intended by the manufacturer.
- Do not attempt to open or modify the equipment.
- Check all cables after connecting the equipment to prevent accidents or damage due to tripping hazards.
- During transport, take steps to prevent the equipment from falling and causing damage or injury.
- If the equipment is not functioning properly, fluids or objects have gotten inside, or is otherwise damaged, switch it off immediately and unplug it from the power outlet (if applicable). Only authorized, qualified personnel should repair the equipment.
- Clean the equipment with a dry cloth.
- Comply with all applicable disposal laws and separate plastic and paper/cardboard during packaging disposal.
- Keep plastic bags out of the reach of children.

FOR DEVICES DESIGNED TO BE CONNECTED TO THE MAIN POWER SUPPLY:

- ATTENTION: If your equipment has a power cord with a grounding plug, it must be connected to a wall outlet with a ground connection. Never remove the grounding plug from the power cord.
 - If your equipment has been exposed to extreme temperature changes, allow it to reach room temperature before turning it on. Otherwise, moisture and condensation may damage the equipment.
 - Before plugging in the equipment, make sure that the voltage and frequency of the power outlet match the specifications of the equipment. If the equipment has a voltage selector, only connect it to the power outlet if the values match. If the power cord or adapter does not fit your outlet, contact an electrician.
 - Do not step on the power cord. Make sure it is not pinched at the outlet, adapter, or equipment connection.
 - Keep the power cord or adapter within reach and disconnect the equipment from the power supply when not in use or when cleaning it. Always unplug the cord or adapter by pulling the plug or adapter, not the cord. Never touch the cord or adapter with wet hands.
 - Avoid frequently turning the equipment on and off, as this can reduce its useful life.
 - IMPORTANT: Only replace fuses with those of the same type and rating. If a fuse repeatedly blows, contact an authorized service center.
 - To completely disconnect the equipment from the power mains, unplug the power cord or adapter from the outlet.
 - If your device has a Volex power connector, the mating Volex connector must be unlocked before it can be removed. Be careful when laying cables, as the equipment can slide or fall if the power cord is pulled.
 - Unplug the power cord or adapter before an extended period of disuse or in case of lightning strike risk.
 - Only install the equipment when it is disconnected from the power source.
 - To prevent damage and overheating, qualified personnel should regularly clean and service the equipment depending on ambient conditions like dust, nicotine, and fog.
- If the product contains the following symbols, please, read carefully:



CAUTION: To reduce the risk of electric shock, do not remove cover (or back). There are no user serviceable parts inside. Maintenance and repairs should be exclusively carried out by qualified service personnel.



The warning triangle with lightning symbol indicates dangerous uninsulated voltage inside the unit, which may cause an electrical shock.



The warning triangle with exclamation mark indicates important operating and maintenance instructions.

IMPORTANT INFORMATION**WARNING! IMPORTANT INFORMATION REGARDING LIGHTING PRODUCTS**

1. This product is specifically designed for use in event technology and is not intended to be used as household lighting.
2. It is important to avoid looking directly at the light beam, even for a short period of time.
3. Optical instruments, such as magnifiers, should not be used to look directly at the beam.
4. If you are sensitive to strobe effects, it is possible that they could cause an epileptic seizure. If you have epilepsy, it is important to avoid places where strobe lights are being used.

DMX TABLE

Channel	Function	Value
1	X (pan)	000-255
2	Y (tilt)	000-255
3	XY speed	000-255
4	General dimmer	000-255
5	Red 1 st group	000-255
6	Green 1 st group	000-255
7	Blue1 st group	000-255
8	White 1 st group	000-255
9	Strobe	000-255
10	Zoom	000-255
11	Function mode	000-255
12	Function mode speed	000-255
13	X pan fine	000-255
14	Y tilt fine	000-255
15	Reset	000-249 no effect 250-255 reset

de confirmación, seleccione el idioma con las teclas arriba y abajo, confirme nuevamente, regrese para salir.

7. La configuración de pantalla invertida está cerrada. Confirme la modificación a través de la tecla de confirmación, seleccione abrir con las teclas arriba y abajo, confirme nuevamente y regrese para salir.

8. Configuración de fábrica (contraseña 138)

Calibración X calibración 128 confirma la modificación a través de la tecla de confirmación, selecciona el valor de canal apropiado arriba y abajo, reconfirmar y vuelve a salir Y calibración 128 confirma la modificación a través de la tecla de confirmación, selecciona el valor de canal apropiado arriba y abajo, reconfirmar y vuelve a salir Focus 128 confirma la modificación a través de la tecla de confirmación, selecciona el valor de canal apropiado hacia arriba y hacia abajo, confirma de nuevo y vuelve a salir Red 220 a través de la tecla de confirmación para confirmar la modificación, luego selecciona el valor de canal apropiado hacia arriba y hacia abajo, confirme nuevamente, regrese a la salida Verde 220 a través de la tecla de confirmación para confirmar la modificación, luego seleccione el valor del canal apropiado hacia arriba y hacia abajo, confirme nuevamente, regrese a la salida Azul 220 confirme la modificación a través de la tecla de confirmación, seleccione el valor del canal apropiado hacia arriba y hacia abajo, confirme nuevamente, regrese a la salida White 220 a través del confirme la tecla para confirmar la modificación, luego seleccione el valor del canal apropiado arriba y abajo, confirme nuevamente, regrese para salir Logo 000 a través de la tecla de función izquierda para confirmar, luego seleccione el logotipo apropiado, arriba y abajo, y luego confirme, regrese para salir.

RECICLAJE

Embalaje:



1. El embalaje puede ser reciclado utilizando métodos de eliminación estándar y reintroducido en el ciclo de materiales reutilizables.
2. Por favor, sigue las leyes y regulaciones relativas a la eliminación y el reciclaje del empaque en tu país.

Dispositivo:



1. Este dispositivo está sujeto a la Directiva de Residuos de Equipos Eléctricos y Electrónicos (WEEE) de la Unión Europea. Los aparatos electrónicos usados no deben ser eliminados con los residuos domésticos. Los dispositivos usados deben ser eliminados a través de una empresa de eliminación aprobada o una instalación de eliminación municipal. Por favor, cumple con las regulaciones aplicables en tu país.
2. Por favor, sigue todas las leyes y regulaciones de eliminación en tu país.
3. Como cliente, puedes obtener información sobre opciones de eliminación respetuosas con el medio ambiente del vendedor del producto o las autoridades regionales apropiadas.

PACKAGE CONTENT

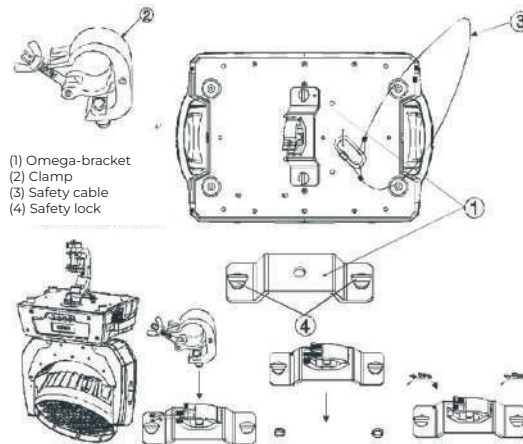
- 1 x Iowa 360 Zoom
- 1 x Omega
- 1 x User's manual

PRODUCT DESCRIPTION

- Power supply: AC100V-240V
- Frequency: 50Hz-60Hz
- Total power: 450W
- Fuse: 7A
- Project power: 320W
- Color temperature: 8500K
- Average life: 2000h
- Control signal: DMX512 international standard
- Appearance: high temperature resistant plastic + cast alloy material
- Project body color: Black
- Degree of protection: IP20
- Net weight 11 kg

INSTALLATION OF CLAMPS

Please refer to the following picture



- (1) Omega-bracket
- (2) Clamp
- (3) Safety cable
- (4) Safety lock

Pass one screw through each of the nuts. Insert the quick release grips of the first omega holders into the respective holes on the bottom of the device.

Tighten the quick release, make sure the grips are all the way to the right. Install the second omega bracket. Pull the anchor cable through the holes in the bottom of the base and through the trussing or a secure fixing bracket. Insert the end of the carbine and fix the security screw.

INTRODUCTION TO THE FUNCTION

1. International standard control signal: DMX512
2. Number of channels: 15ch
3. Number of motors: 3 silent motors in total
4. 650000 color touch TFT LCD interface, easy to operate, beautiful interface, the interface can be reversed 180 degrees.
5. X-axis horizontal rotation 540 , Y-axis vertical rotation 270 , with automatic correction positioning
6. X, Y axis operation micro adjustable, software with correction positioning function, high precision!
7. Dimming: 0-100% linear adjustment
8. Strobe: strobe speed (1-30 times/s), full linear dimming and variable strobe speed
9. Focus: using optical combination, the effect is much better than the usual dyeing project, it can project a high-definition effect
10. Intelligent overheat protection
11. Intelligent dimming control (prolong the life of the project)

MENU OPERATION

Configuration interface:

There are four first-class menus including system settings, operation mode, display settings, and factory settings. The operation is simple and the reaction speed is fast.

Menu description

System settings

1. Confirm the change to address 002 using the confirmation key. Press up and down key to select DMX address, then confirm and return to exit.
2. When the encoder is closed, confirm the modification through confirm key, and then select close/open from up and down, confirm again and return to exit.
3. X reverse close: confirm the modification with the confirm key, then select close/open up and down, confirm again and return to exit.
4. And reverse close, confirm the modification through confirm key, then select close/open up and down, confirm again and return to exit.
5. Mode of operation

The operation mode is confirmed by the confirmation key, and the operation mode is selected by the up and down keys, and then confirmed to exit again. 15CH selection

6. Explicit setting Language select English, confirm the modification through the confirm key, select the language with the up and down keys, confirm again, return to exit.
7. The reverse screen setting is closed. Confirm the modification via the confirmation key, select open with the up and down keys, confirm again and return to exit.
8. Factory setting (password 138)

Atreviase un tornillo por cada una de las tuercas. Inserte los agarradores de cierre rápido de los primeros titulares de omega en los orificios respectivos en la parte inferior del dispositivo.

Apriete el cierre rápido, asegúrese de que los agarradores estén totalmente hacia la derecha. Instale el segundo soporte omega. Tire del cable de anclaje a través de los agujeros en la parte inferior de la base y por el trussing o un soporte de fijación seguro. Inserte el extremo de la carabina y fije el tornillo de seguridad.

INTRODUCCIÓN A LA FUNCIÓN

1. Señal de control estándar internacional: DMX512
2. Número de canales: 15ch
3. Número de motores: 3 motores silenciosos en total
4. Interfaz LCD TFT táctil de 650000 colores, fácil de operar, hermosa interfaz, la interfaz se puede invertir 180 grados.
5. Rotación horizontal del eje X 540 , rotación vertical del eje Y 270 , con posicionamiento de corrección automática
6. X, operación del eje Y micro ajustable, software con función de posicionamiento de corrección, ¡alta precisión!
7. Atenuación: 0-100% ajuste lineal
8. Estroboscópico: velocidad estroboscópica (1-30 veces/s), atenuación lineal completa y velocidad estroboscópica variable
9. Enfoque: usando una combinación óptica, el efecto es mucho mejor que el proyecto de teñido habitual, puede proyectar un efecto de alta definición
10. Protección inteligente contra sobrecalentamiento
11. control de atenuación inteligente (prolongar la vida útil del proyecto)

OPERACIÓN DEL MENÚ

Interfaz de configuración:

Hay cuatro menús de primera clase que incluyen configuración del sistema, modo de operación, configuración de pantalla y configuración de fábrica. La operación es simple y la velocidad de reacción es rápida.

Descripción del menú

Ajustes del sistema

1. Confirme la modificación de la dirección 002 a través de la tecla de confirmación. Presione la tecla arriba y abajo para seleccionar la dirección del DMX, luego confirme y regrese para salir.
2. Cuando el codificador esté cerrado, confirme la modificación a través de la tecla de confirmación y luego seleccione cerrar/abrir desde arriba y hacia abajo, confirme nuevamente y regrese para salir.
3. X cierre inverso: confirme la modificación con la tecla de confirmación, luego seleccione cerrar/abrir hacia arriba y hacia abajo, confirme nuevamente y regrese para salir.
4. Y cierre inverso, confirme la modificación a través de la tecla confirmar, luego seleccione cerrar/abrir arriba y abajo, confirme nuevamente y regrese para salir.
5. Modo de operación

El modo de operación se confirma con la tecla de confirmación, y el modo de operación se selecciona con las teclas arriba y abajo, y luego se confirma para volver a salir. selección 15CH

6. Ajuste explícito Idioma seleccione inglés, confirme la modificación a través de la tecla

- No se deben utilizar instrumentos ópticos, como lupas, para mirar directamente al haz.
- Si es sensible a los efectos estroboscópicos, es posible que le provoquen un ataque epiléptico. Si tiene epilepsia, es importante evitar los lugares donde se usan luces estroboscópicas.

CONTENIDO DEL PAQUETE

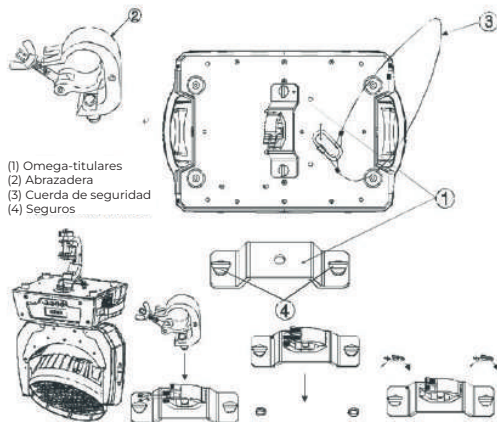
- 1 x Iowa 360 Zoom
- 1 x Omega
- 1 x Manual de usuario

DESCRIPCIÓN DEL PRODUCTO

- Fuente de alimentación: AC100V-240V
- Frecuencia: 50 Hz-60 Hz
- Potencia total: 450W
- Fusible: 7A
- Potencia del proyecto: 320W
- Temperatura de color: 8500K
- Vida media: 2000h
- Señal de control: estándar internacional DMX512
- Apariencia: plástico resistente a altas temperaturas + material de aleación moldeada
- Color del cuerpo del proyecto: Negro
- Grado de protección: IP20
- Peso neto 11 kg

INSTALACIÓN DE ABRAZADERAS

Consulte la siguiente imagen



Calibration X calibration 128 confirms the modification through the confirmation key, selects the appropriate channel value up and down, reconfirm and exits again Y calibration 128 confirms the modification through the confirmation key, selects the appropriate channel value up and down, reconfirm and exit again Focus 128 confirms the modification through the confirmation key, selects the appropriate channel value up and down, confirms again and exits Red 220 through the confirmation key to confirm the modification, then select the appropriate channel value up and down, confirm again, return to the Green 220 output through the confirmation key to confirm the modification, then select the appropriate channel value up and down, confirm again, return to output Blue 220 confirm the change via the confirm key, select the Appropriate channel value up and down, confirm again and return to the output White 220 through the confirm key to confirm the modification, then select the appropriate channel value up and down, confirm again, return to exit Logo 000 to through the left soft key to confirm, then select the appropriate logo, up and down, and then confirm, return to exit

DISPOSAL

Packaging:



- The packaging can be recycled using standard disposal methods and reintroduced into the reusable material cycle.
- Please follow the laws and regulations regarding disposal and recycling of packaging in your country.

Device:



- This device is subject to the Waste Electrical and Electronic Equipment (WEEE) Directive of the European Union. Used appliances should not be disposed of with household waste. Used device must be disposed of through an approved disposal company or a municipal disposal facility. Please comply with the applicable regulations in your country.
- Please follow all the disposal laws and regulations in your country.
- As a customer, you can obtain information on environmentally-friendly disposal options from the product seller or the appropriate regional authorities.

BIENVENIDO A AUDIBAX

Muchas gracias por elegir Audibax. Esperamos que disfrute de su nuevo producto. Ha sido desarrollado y diseñado cuidando hasta el más mínimo detalle, con un control de calidad con estándares europeos supervisado por nuestro gran equipo de técnicos profesionales, que trabajan día a día para ofrecer a nuestros clientes la mejor calidad.

Nos aseguramos de que cada producto Audibax esté diseñado para durar mucho tiempo. Todas nuestras referencias están fabricadas con materiales de larga duración y nuestros especialistas se dedican a realizar constantemente controles de calidad para garantizar el mejor resultado.

Lea atentamente este manual para utilizar su producto Audibax de la mejor manera. No dude en visitar nuestra web para más información: www.audibax.com

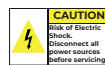
INSTRUCCIONES DE SEGURIDAD

INFORMACIÓN GENERAL

- Es importante leer y seguir las instrucciones cuidadosamente.
- Guarde toda la información y las instrucciones en un lugar seguro.
- Siga siempre las instrucciones proporcionadas.
- Tome nota de todas las advertencias de seguridad y nunca las quite del equipo.
- Utilice el equipo únicamente según lo previsto y para el fin previsto.
- Asegúrese de que los soportes y/o soportes utilizados sean lo suficientemente estables y compatibles para instalaciones fijas. Los soportes de pared deben asegurarse correctamente, y el equipo debe instalarse de forma segura para evitar caídas.
- Al instalar el equipo, asegúrese de observar las normas de seguridad pertinentes de su país.
- No instale ni utilice el equipo cerca de fuentes de calor, como radiadores, rejillas de calor u hornos, y asegúrese de que siempre se enfríe lo suficiente y no se sobrecaliente.
- No coloque fuentes de ignición, como velas encendidas, sobre el equipo.
- Mantenga las ranuras de ventilación despejadas.
- Equipos diseñados solo para uso en interiores y no debe usarse cerca de agua, materiales inflamables, líquidos o gases. Se debe usar para exteriores de acuerdo con las instrucciones del fabricante.
- Asegúrese de que no entren gotas o salpicaduras de agua en el equipo y no coloque recipientes llenos de líquidos sobre el equipo.
- Evite que caigan objetos dentro del equipo.
- Utilice el equipo únicamente con los accesorios recomendados por el fabricante.
- No intente abrir o modificar el equipo.
- Verifique todos los cables después de conectar el equipo para evitar accidentes o daños debido a riesgos de tropiezos.
- Durante el transporte, tome medidas para evitar que el equipo se caiga y cause daños o lesiones.
- Si el equipo no funciona correctamente, se han metido líquidos u objetos en su interior o está dañado, apáguelo inmediatamente y desenchúfelo de la toma de corriente (si corresponde). Solo personal autorizado y cualificado debe reparar el equipo.
- Limpie el equipo con un paño seco.
- Cumpla con todas las leyes de eliminación aplicables y separe el plástico y el papel/cartón durante la eliminación del embalaje.
- Mantenga las bolsas de plástico fuera del alcance de los niños

PARA DISPOSITIVOS DISEÑADOS PARA SER CONECTADOS A LA FUENTE DE ALIMENTACIÓN PRINCIPAL:

- ATENCIÓN: Si su equipo tiene un cable de alimentación con un enchufe con conexión a tierra, debe conectarse a un tomacorriente de pared con conexión a tierra. Nunca retire el enchufe de conexión a tierra del cable de alimentación.
 - Si su equipo ha estado expuesto a cambios extremos de temperatura, permita que alcance la temperatura ambiente antes de encenderlo. De lo contrario, la humedad y la condensación pueden dañar el equipo.
 - Antes de enchufar el equipo, asegúrese de que el voltaje y la frecuencia del tomacorriente coincidan con las especificaciones del equipo. Si el equipo dispone de selector de tensión, sólo conéctelo a la toma de corriente si los valores coinciden. Si el cable de alimentación o el adaptador no se ajustan a su toma de corriente, comuníquese con un electricista.
 - No pise el cable de alimentación. Asegúrese de que no esté pellizcado en la toma de corriente, el adaptador o la conexión del equipo.
 - Mantenga el cable de alimentación o el adaptador al alcance de la mano y desconecte el equipo de la fuente de alimentación cuando no esté en uso o cuando lo esté limpiando. Desenchufe siempre el cable o el adaptador tirando del enchufe o del adaptador, no del cable. Nunca toque el cable o el adaptador con las manos mojadas.
 - Evite encender y apagar el equipo con frecuencia, ya que esto puede reducir su vida útil.
 - IMPORTANTE: Solo reemplace los fusibles con aquellos del mismo tipo y clasificación. Si un fusible se quema repetidamente, comuníquese con un centro de servicio autorizado.
 - Para desconectar completamente el equipo de la red eléctrica, desenchufe el cable de alimentación o el adaptador de la toma de corriente.
 - Si su dispositivo tiene un conector de alimentación Volex, el conector Volex correspondiente debe desbloquearse antes de poder retirarlo. Tenga cuidado al tender los cables, ya que el equipo puede deslizarse o caerse si se tira del cable de alimentación.
 - Desenchufe el cable de alimentación o el adaptador antes de un período prolongado de desuso o en caso de riesgo de caída de rayos.
 - Instale el equipo únicamente cuando esté desconectado de la fuente de alimentación.
 - Para evitar daños y sobrecalentamiento, el personal calificado debe limpiar y reparar el equipo con regularidad según las condiciones ambientales, como polvo, nicotina y niebla.
- Si el producto contiene los siguientes símbolos, lea atentamente:



PRECAUCIÓN: Para reducir el riesgo de descarga eléctrica, no retire la tapa (o la parte trasera). No hay partes reparables por el usuario adentro. El mantenimiento y las reparaciones deben ser realizados exclusivamente por personal de servicio cualificado.



El triángulo de advertencia con el símbolo de un rayo indica un voltaje no aislado peligroso dentro de la unidad, que puede causar una descarga eléctrica.



El triángulo de advertencia con signo de exclamación indica instrucciones importantes de operación y mantenimiento.

INFORMACIÓN IMPORTANTE

- ¡ADVERTENCIA! INFORMACIÓN IMPORTANTE SOBRE PRODUCTOS DE ILUMINACIÓN
1. Este producto está diseñado específicamente para su uso en tecnología de eventos y no está diseñado para usarse como iluminación doméstica.
 2. Es importante evitar mirar directamente al haz de luz, incluso durante un breve período de tiempo.