

Edition: 05/06 - subject to change
Supersedes: 04/89
Status: valid

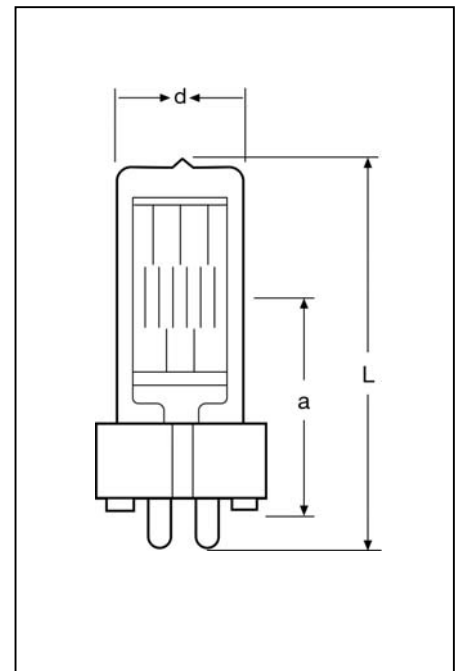
64745 (230V)

■ Product description

The OSRAM 64745 is mainly used for studio and theatre lighting as well as film production. This is a popular lamp and widely fitted into Fresnel, Profile, PC Spot and Follow Spot luminaires. The 64744 T/19 is an equivalent for 3000K.

■ Technical Data

Lamp / order reference		64745
ANSI		FVA
LIF		CP/70
Rated lamp wattage	W	1000
Rated lamp voltage	V	230
Average life-time	h	200
Color temperature	K	3200
Luminous flux	lm	26000
Luminous efficiency	Lm/W	26.00
Base		GX 9.5
Diameter d	mm	25 ± 1
Lamp length L	mm	110 max.
LCL a	mm	55 ± 2
Filament dimensions (w x h)	mm	13 x 15
Type of filament		biplan



■ Lamp operation

Max. pinch seal temperature °C	400°C max.
Burning position	s90
Fuse protection	6A quick