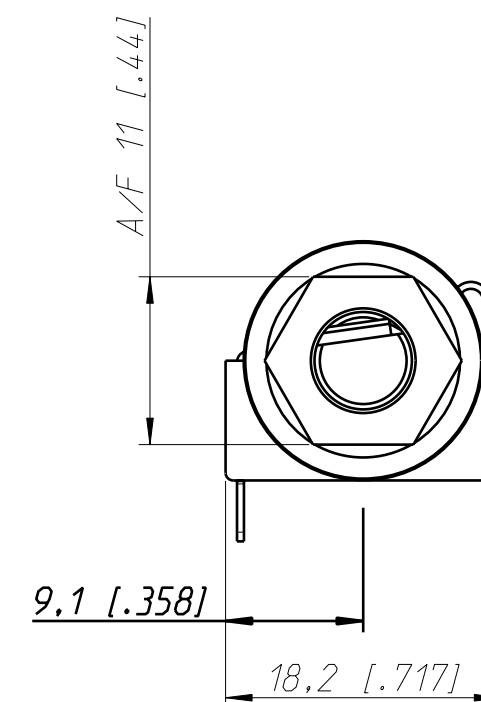
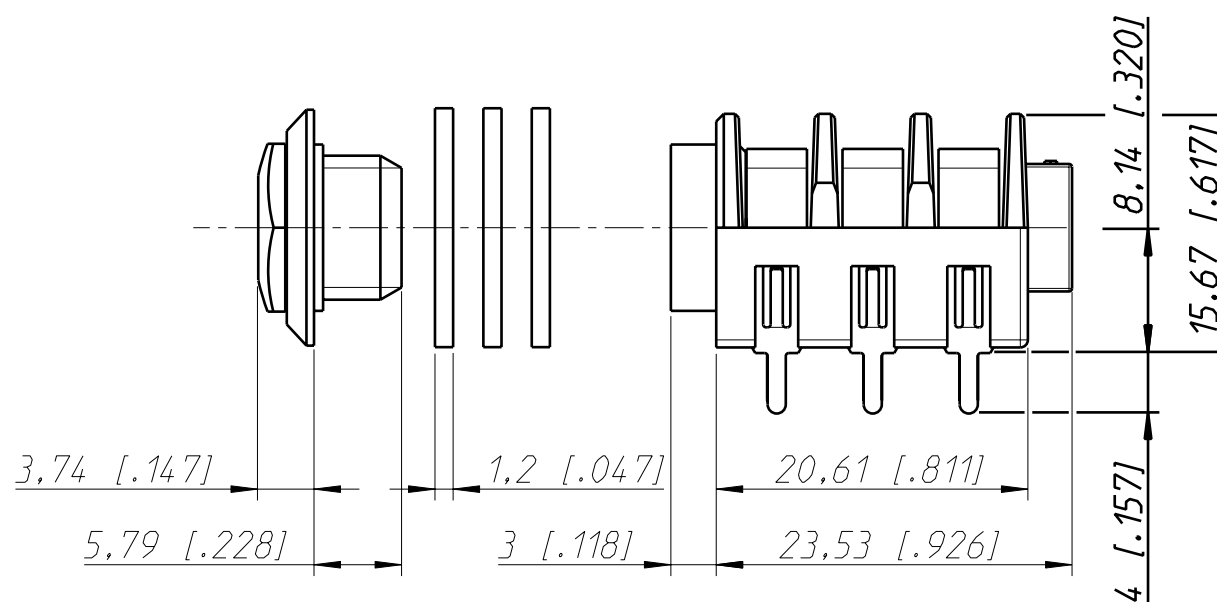
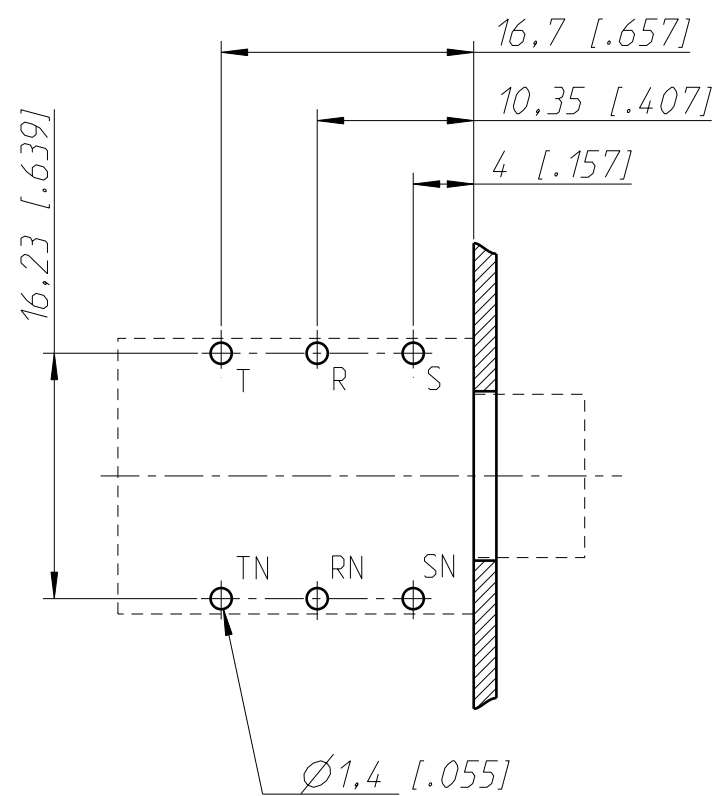
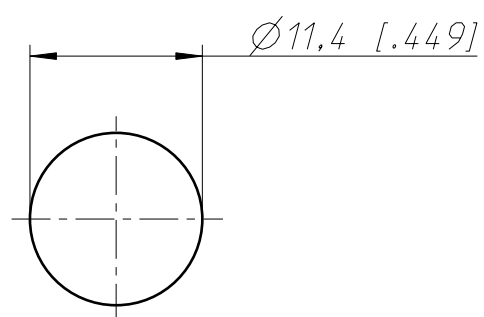


Print Bohrplan Bestückungsseite
PCB-Layout (component side)



Frontplattenausschnitt (Rückseite)
Panel cut out (rear side)



Sheet Number 1/1	Projection 	Scale 2:1	Format A3	Tolerancing ISO 2768-mK	
ECN Number		Created 20.02.2003	Modified 23.02.2021	noe	
Description NMJ6HCD2			Approved 26.02.2021	phk	
			Status Released		
			3D Model ID NMJ6HCD2	Document ID ST-NMJ6HCD2	Revision -
NEUTRIK					