

HALLEY H330

TRITON BLUE

LIGHTING BEYOND ETERNITY

LIGHT SOURCE

380W OSRAM white LED

LIGHT OUTPUT

13.095 lumens

ZOOM RANGE

3° - 48°

EFFECTS

The Halley H330 includes a motorized focus, a full range dimmer, various strobe effects, a CMY color mixing system, effect wheel, and a prism effect for expanded visual possibilities. It also supports software upgrades via DMX or USB and integrated LumenRadio Wireless DMX with a 2.4" LCD screen.



HALLEY H330: THE ARTISAN OF ILLUMINATION

Elevate your events to unprecedented heights with the Halley H330, a true powerhouse of luminosity and color precision that stands as a beacon of creativity. Designed for professionals who demand absolute control and unmatched versatility, the H330 is not just a lighting fixture—it's an essential tool for transforming any space into a visually stunning spectacle. With its robust 380W white LED, the H330 floods spaces with a dazzling 13.095 lumens, ensuring that every corner of your venue is bathed in brilliant light. This high-intensity illumination makes it perfect for venues of all sizes, from intimate gatherings to grand halls. The magic of the H330 doesn't stop with its powerful output; it also features an adjustable beam angle that can be tailored from pinpoint precision to a wide sweep, accommodating everything from highlighting a single performer to washing an entire stage with vibrant light. This high-intensity illumination makes it perfect for venues of all sizes, from intimate gatherings to grand halls.

The magic of the H330 doesn't stop with its powerful output; it also features an adjustable beam angle that can be tailored from pinpoint precision to a wide sweep, accommodating everything from highlighting a single performer to washing an entire stage with vibrant light.

The H330's capabilities are further enhanced by its sophisticated CMY color mixing system, which offers a rich palette of colors to choose from. This system allows you to sculpt light and shadow with exceptional precision, creating atmospheres and moods that elevate the visual narrative of your event. Whether you're looking to evoke the soft, warm glow of a sunset or the vibrant hues of a bustling cityscape, the Halley H330 makes it possible. Equipped with a new, highly efficient phase change liquid cooling system using special radiators, also optimizing the emission of noise to the outside.

This fixture is incredibly adaptable, making it suitable for a wide range of applications including concerts, theater productions, corporate events, TV productions and more.

Its reliability and ease of use ensure that it can meet the demands of any setting, providing consistent, high-quality performance that enhances the overall experience for performers and audiences alike.



HALLEY H330

HALLEY SERIES



GENERAL INFO

Light Source: Advanced white Osram LED of 380W 8000K

Light Output: 13.095 lumens.
93.000 lux @ 5 m

Adjustable LED frequency:
600HZ/ 1200 HZ/ 2000 HZ/
4000HZ/ 6000HZ/ 25KHZ/
50KHz

Zoom Range: Beam Zoom
angle from 3° - 48°

Color System: Linear CMY
+ Color Wheel

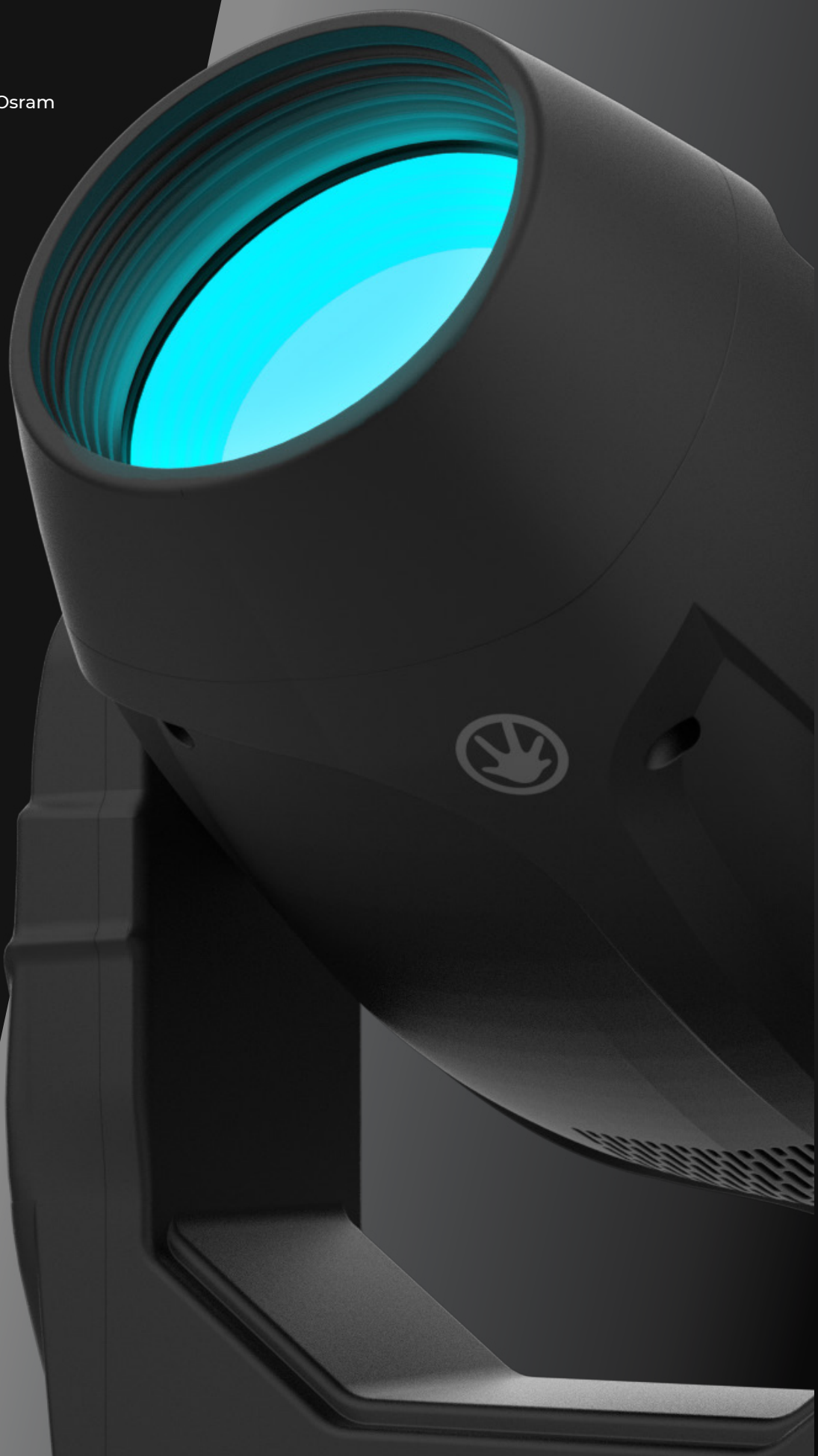
Dynamic Effects: 2 gobo
wheels + animation
effects wheel

Control Options:
Supports DMX 20/30
channels, ArtNet, sCAN,
RDM function Integrated
LumenRadio Wireless DMX
2.4" LCD screen

Physical Dimensions:
Measures 415 x 340 x 632
mm and weighs 20.5 kg.

Noise Level: Engineered to
operate quietly, making it
ideal for theatre and studio
applications where minimal
noise is crucial.

Electrical Specs: Operates
on a 100-240 V AC power
supply, with a maximum
consumption of 492W



HALLEY W1940Z

TRITON BLUE

LIGHTING BEYOND ETERNITY

LIGHT SOURCE

19 LED 40W OSRAM RGBW

LIGHT OUTPUT

7,996 lumens

ZOOM RANGE

4° - 54°

EFFECTS

Control Resolution: 16-Bit
Pixel control of each LED
in RGBW separately



HALLEY W1940Z: THE DYNAMO OF DYNAMICS

Step into the future of stage and event lighting with the Halley W1940Z, a revolutionary fixture that redefines the boundaries of visual illumination. This powerhouse is equipped with 19 pieces of 40W 4in1 LED, each designed to deliver unparalleled brightness and superior color mixing capabilities. With the W1940Z, you're not just lighting an event; you're crafting an immersive experience that resonates with every attendee.

Imagine the ability to adjust the zoom from a pinpoint sharp 4° to a wide 54°, effortlessly crafting everything from intensely focused beams that highlight the finest details to expansive washes that envelop the entire stage in vibrant colors. This level of control allows you to transform any venue into a dynamic visual canvas, ready to complement performances, cheer crowds, and enhance every moment. Halley W1940Z is not just about flexibility; it's about creating an atmosphere that elevates every event.

Whether setting the mood for a dramatic theater performance, energizing a concert with pulsating lights, or adding a touch of elegance to a corporate event, the Halley W1940Z adapts to your creative vision. Its extensive color palette, enabled by advanced LED technology, allows for seamless transitions and stunning displays that captivate and enchant. Moreover, the W1940Z is built to last and handle the rigors of both touring and fixed installations. With its robust construction and multiple DMX channel options, this fixture offers reliability and versatility.

Equipped with a new, highly efficient phase change liquid cooling system using special radiators, also optimizing the emission of noise to the outside. It's designed to integrate seamlessly into any lighting setup, providing consistent, breathtaking visuals that enhance the overall production quality.

The Halley W1940Z also excels in user-friendly operation, with intuitive controls and features that make it easy for technicians to execute complex lighting designs.

Whether you're a seasoned professional or new to lighting, the W1940Z offers the tools and flexibility needed to unleash creative potential and achieve stunning results



HALLEY W1940Z

HALLEY SERIES



GENERAL INFO

Light Source: 19 LED 40W OSRAM RGBW

Light Output: 7.996 lumens. 110.621 lux @ 5m

Adjustable LED frequency: 4-54°

Zoom Range: 4° - 54°

Color System: RGBW

Dynamic Effects: 16-bit

Control Options: Supports DMX 18/25 /37 channels, ArtNet, sCAN, RDM function Integrated LumenRadio Wireless DMX 2.4" LCD screen

Physical Dimensions: Measures 399 x 335,8 x 408 mm and weighs 15.5 kg.

Noise Level: Engineered to operate quietly, making it ideal for theatre and studio applications where minimal noise is crucial.

Electrical Specs: Operates on a 100-240 V AC power supply, with a maximum consumption of 625W.



LIGHTING BEYOND ETERNITY

Step into the limelight with Halley's premier lighting marvels: the Halley H330 and the Halley W1940Z. Crafted not merely as tools but as portals to a world where light dances and colors sing, these fixtures are designed to metamorphose any space into a dazzling realm of visual enchantment.

The Halley H330 and W1940Z are masterpieces of design, meticulously engineered with the artist in mind. They boast intuitive controls for seamless operation and robust constructions that endure the trials of travel and the intensity of performance. Despite their formidable capabilities, these lights are surprisingly lightweight, making them a breeze to mount and a joy to use. This ensures that your creative energies

This ensures that your creative energies remain focused on sculpting memorable experiences that linger long in the hearts of your audience.

Imagine painting with light as your brush and the world as your canvas. Whether you're crafting the backdrop for an epic music tour, weaving magic into a festival night, or setting the stage for an event that's nothing short of legendary, Halley's lighting solutions are your partners in creation. They deliver unmatched performance, impeccable quality, and steadfast reliability—everything you need to let your creativity soar and shine. Light up your next endeavor with Halley, and watch in awe as your visionary ideas burst into vibrant life, captivating and enchanting

all who behold them.

Each Halley fixture is a symphony of technological innovation, designed to offer not just illumination but a transformative experience. The H330, with its precise color mixing and high uminosity, offers a spectrum of possibilities, from subtle hues to bold dramatic effects. Meanwhile, the W1940Z, with its expansive zoom range and powerful LED, ensures that every detail is visible, from the subtlest gestures to the grandest panoramas. Together, these fixtures provide a comprehensive solution that meets the diverse needs of modern lighting professionals. Dive into the future of lighting with Halley, where every event becomes a masterpiece of light and color.



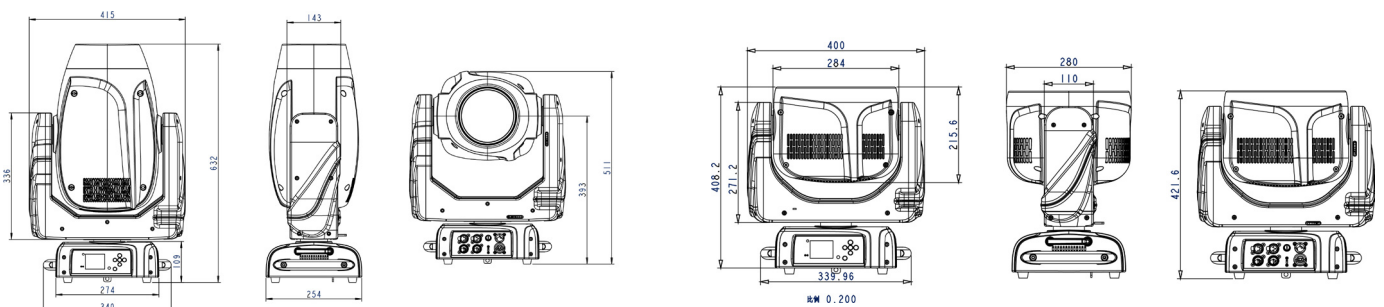
HALLEY H330



HALLEY W1940Z



DIMENSIONS





TRITON BLUE