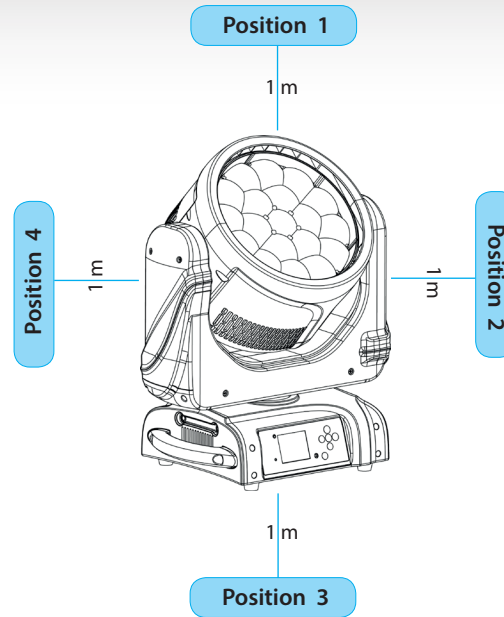


# NOISE TEST REPORT | HALLEY W1940Z | Triton-Blue



	AMBIENT NOISE 18 dB (A)	AMBIENT TEMPERATURE 28°C	
LED OFF	FAN MODE		
	AUTO	HIGH	HIGH
	1: 36.2 dB (A)	1: 31.7 dB (A)	1: 49.8 dB (A)
	2: 33.9 dB (A)	2: 30.9 dB (A)	2: 46.9 dB (A)
	3: 35.4 dB (A)	3: 32 dB (A)	3: 45.3 dB (A)
	4: 35.7 dB (A)	4: 31.8 dB (A)	4: 47.6 dB (A)
AVERAGE SOUND PRESSURE LEVEL	35.4 dB (A)	31.6 dB (A)	47.7 dB (A)
	AUTO	HIGH	HIGH
	1: 28.7 dB (A)	1: 24.6 dB (A)	1: 49.1 dB (A)
	2: 26.8 dB (A)	2: 24.9 dB (A)	2: 44.8 dB (A)
	3: 30.5 dB (A)	3: 26.4 dB (A)	3: 40.4 dB (A)
	4: 26.3 dB (A)	4: 24.2 dB (A)	4: 44.5 dB (A)
AVERAGE SOUND PRESSURE LEVEL	28.4 dB (A)	25.1 dB (A)	45.7 dB (A)