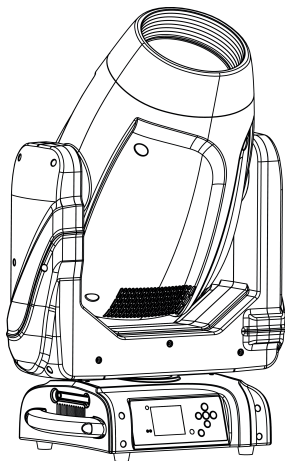




TRITON BLUE

HALLEY H330

CABEZAL BEAN SPOT WASH 3 EN 1
BEAN SPOT WASH 3IN1 HEAD



MANUAL DE USUARIO USER'S MANUAL

Este manual contiene información importante: léalo antes de poner el dispositivo en funcionamiento.

This manual contains important information: read it before operating the device.



MADE IN PRC

INDEX / ÍNDICE

ENGLISH

WELCOME TO TRITON BLUE.....	1
SAFETY INSTRUCTIONS.....	1
IMPORTANT INFORMATION.....	2
PACKAGE CONTENT.....	3
TECHNICAL SPECIFICATION.....	3
DESCRIPTION OF THE DEVICE.....	5
COLORS AND GOBOS.....	5
INSTALLATION.....	7
CONTROL MENU.....	8
DMX CONNECTION AND DMX PROTOCOL.....	10
UNIQUE FEATURES.....	11
USB SOFTWARE UPGRADE.....	11
MAINTENANCE.....	12
TROUBLESHOOTING.....	12
DISPOSAL.....	12

ESPAÑOL

BIENVENIDOS A TRITON BLUE.....	13
INSTRUCCIONES DE SEGURIDAD.....	13
INFORMACIÓN IMPORTANTE.....	14
CONTENIDO DEL PAQUETE.....	15
ESPECIFICACIONES TÉCNICAS.....	16
DESCRIPCIÓN DEL DISPOSITIVO.....	17
COLORES Y GOBOS.....	17
INSTALACIÓN.....	19
CONTROL MENU.....	20
CONEXIÓN DMX Y PROTOCOLO DMX.....	22
CARACTERÍSTICAS UNICAS.....	23
ACTUALIZACIÓN DE SOFTWARE USB.....	23
MANTENIMIENTO.....	24
SOLUCIÓN DE PROBLEMAS.....	24
RECICLAJE.....	24

DMX

DMX.....	25
----------	----

WELCOME TO TRITON BLUE

Thank you very much for choosing Triton Blue. We hope you enjoy your new product.

It has been developed and designed paying attention to the smallest details, with quality control with European standards supervised by our great team of professional technicians, who work every day to offer our customers the best quality.

We make sure that every Triton Blue product is built to last long. All our references are made with long lasting materials and our specialists are dedicated to constantly doing quality controls to guarantee the best result.

Please read carefully this manual in order to use your Triton Blue product in the best way. Do not hesitate to visit our website for further information: www.triton-blue.com

SAFETY INSTRUCTIONS

GENERAL INFORMATION

- It is important to read and follow the instructions carefully.
- Keep all information and instructions in a secure location.
- Always follow the instructions provided.
- Take note of all safety warnings and never remove them from the equipment.
- Use the equipment only as intended and for its intended purpose.
- Ensure that the stands and/or mounts used are sufficiently stable and compatible for fixed installations. Wall mounts should be properly installed and secured, and the equipment should be installed securely to prevent falls.
- When installing the equipment, be sure to observe the relevant safety regulations in your country.
- Do not install or operate the equipment near sources of heat, such as radiators, heat registers, or ovens, and ensure that it is always cooled sufficiently and cannot overheat.
- Do not place sources of ignition, such as burning candles, on the equipment.
- Keep ventilation slits unobstructed.
- For equipment designed for indoor use only should not be used near water, flammable materials, fluids, or gases. Special outdoor equipment should be used in accordance with the manufacturer's instructions.
- Ensure that no dripping or splashed water can enter the equipment and do not place containers filled with liquids on the equipment.
- Prevent objects from falling into the equipment.
- Use the equipment only with recommended accessories intended by the manufacturer.
- Do not attempt to open or modify the equipment.
- Check all cables after connecting the equipment to prevent accidents or damage due to tripping hazards.
- During transport, take steps to prevent the equipment from falling and causing damage or injury.
- If the equipment is not functioning properly, fluids or objects have gotten inside, or is otherwise damaged, switch it off immediately and unplug it from the power outlet (if applicable). Only authorized, qualified personnel should repair the equipment.
- Clean the equipment with a dry cloth.
- Comply with all applicable disposal laws and separate plastic and paper/cardboard during packaging disposal.
- Keep plastic bags out of the reach of children.

FOR DEVICES DESIGNED TO BE CONNECTED TO THE MAIN POWER SUPPLY:

- **ATTENTION:** If your equipment has a power cord with a grounding plug, it must be connected to a wall outlet with a ground connection. Never remove the grounding plug from the power cord.
 - If your equipment has been exposed to extreme temperature changes, allow it to reach room temperature before turning it on. Otherwise, moisture and condensation may damage the equipment.
 - Before plugging in the equipment, make sure that the voltage and frequency of the power outlet match the specifications of the equipment. If the equipment has a voltage selector, only connect it to the power outlet if the values match. If the power cord or adapter does not fit your outlet, contact an electrician.
 - Do not step on the power cord. Make sure it is not pinched at the outlet, adapter, or equipment connection.
 - Keep the power cord or adapter within reach and disconnect the equipment from the power supply when not in use or when cleaning it. Always unplug the cord or adapter by pulling the plug or adapter, not the cord. Never touch the cord or adapter with wet hands.
 - Avoid frequently turning the equipment on and off, as this can reduce its useful life.
 - **IMPORTANT:** Only replace fuses with those of the same type and rating. If a fuse repeatedly blows, contact an authorized service center.
 - To completely disconnect the equipment from the power mains, unplug the power cord or adapter from the outlet.
 - If your device has a Volex power connector, the mating Volex connector must be unlocked before it can be removed. Be careful when laying cables, as the equipment can slide or fall if the power cord is pulled.
 - Unplug the power cord or adapter before an extended period of disuse or in case of lightning strike risk.
 - Only install the equipment when it is disconnected from the power source.
 - To prevent damage and overheating, qualified personnel should regularly clean and service the equipment depending on ambient conditions like dust, nicotine, and fog.
- If the product contains the following symbols, please, read carefully:



CAUTION: To reduce the risk of electric shock, do not remove cover (or back). There are no user serviceable parts inside. Maintenance and repairs should be exclusively carried out by qualified service personnel.



The warning triangle with lightning symbol indicates dangerous uninsulated voltage inside the unit, which may cause an electrical shock.



The warning triangle with exclamation mark indicates important operating and maintenance instructions.

IMPORTANT INFORMATION**WARNING! IMPORTANT INFORMATION REGARDING LIGHTING PRODUCTS**

1. This product is specifically designed for use in event technology and is not intended to be used as household lighting.
2. It is important to avoid looking directly at the light beam, even for a short period of time.
3. Optical instruments, such as magnifiers, should not be used to look directly at the beam.
4. If you are sensitive to strobe effects, it is possible that they could cause an epileptic seizure. If you have epilepsy, it is important to avoid places where strobe lights are being used.

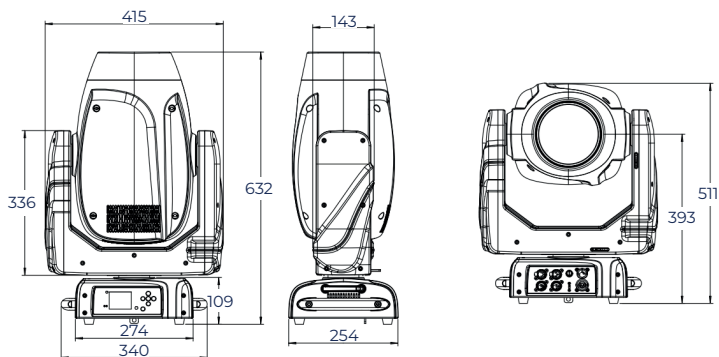
PACKAGE CONTENT

- 1 x Halley H330
- 1 x 3m DMX cable
- 1 x 1.5m power cable with powercon
- 2 x Omega bracket for hanging installation
- 1 x Safety chain
- 1 x User's manual

TECHNICAL SPECIFICATIONS

- Power supply: 100-240 V AC , 50/60 Hz ~
- Power consumption: 492W
- Lamp: Advanced 380w white led
- DMX channels: 30/26 channels
- Beam angle: 3° to 48 °
- Luminous flux: 13095 lumen, 94499 lux@5m
- Fuse: T8A, 250 V
- Device dimensions: 415 x 340 x 632 mm
- Net Weight: 20.5KG
- Gross Weight: 22KG
- IP: 20

DIMENSIONS DRAWING



SPECIFICATION

Source

- Light source: Advanced 380w white led
- Luminous Flux: 13095 lumen, 94499 lux@5m
- Control: Remote on/off via DMX
- Ballast: switching mode power supply

Optical System

- Beam angle: 3° to 48 °

X/Y

- Pan: 540° (3.9 sec), Tilt: 265° (2.4 sec)
- 16-bit resolution
- Auto repositioning

Colors

- Linear CMY
- 9+open, interchangeable, indexable and bidirectional rainbow effect
- Color bounce

Gobos

- Outside ø20mm, inside ø16mm
- 8+open custom interchangeable position for rotating gobo wheel
- 11+open fixed gobos
- Real indexable and gobo shaking
- Distinctive gobo animation effect

Features

- DMX channels: 30/20
- Linear CMY
- Color wheel: 9 colors
- Fixed gobo wheel: 11+1 gobos
- Rotating gobo wheel: 8+1 gobos
- Motorized focus
- Full range 0-100% dimmer
- Various strobe
- Rotating 8 facets prism+6 linear prism can be overlap
- Frost
- Fast speed iris
- Beam from 3° to 48 °
- RDM function to change DMX address, display flip, X/Y Reverse and so on
- Software upgrade via DMX or USB
- Hibernation when lost DMX for preset time
- Indicate temperature info of base, led
- Fan speed auto change according to temperature
- LumenRadio Wireless PCB

Display

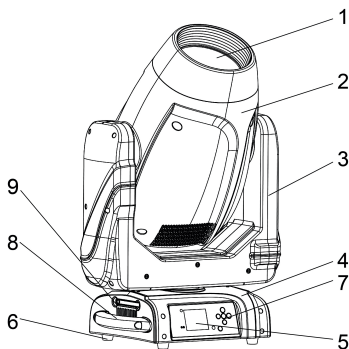
- 2.4inch super nice LCD display with friendly English/Chinese
- Auto lock and flip
- Back-up communicating IC
- CR 10440-1S1P 320mAh, 3.7V rechargeable lithium battery

Power

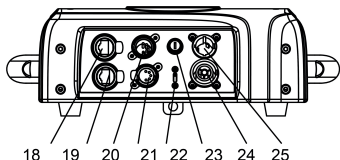
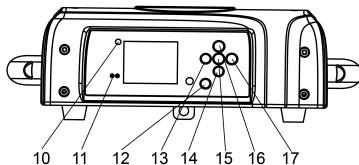
- Max power consumption: 492W
- Powercon in
- Power supply: Electronic auto-ranging
- Input voltage range: 100-240V, 50-60Hz

DESCRIPTION OF THE DEVICE

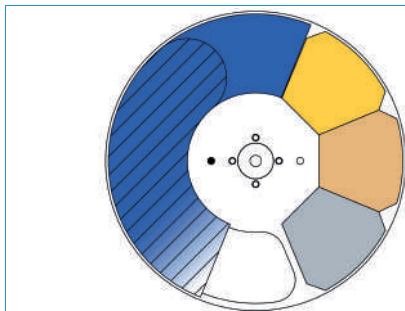
- 1. Project lens
- 2. Head
- 3. Arm
- 4. Base
- 5. Display
- 6. Foot stand
- 7. Operation button
- 8. Handel
- 9. Antenna
- 10. Wireless indicator
- 11. Ethernet
- 12. Battery indicator
- 13. Left button
- 14. Down button
- 15. Enter button
- 16. Up button
- 17. Right button
- 18. Ethernet
- 19. Ethernet
- 20. 5-pin DMX in
- 21. 5-pin DMX out






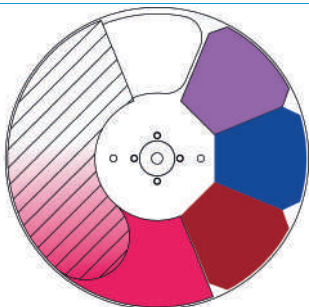
- 22. USB
- 23. Fuse
- 24. Power out
- 25. Power in






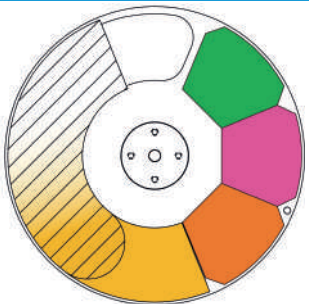
COLORS AND GOBOS






Open		
1	High rendering finger color sheet 6000K	
2	3200K	
3	2400K	
4	CYAN	



	Open	
1	CTB-011/468	
2	BARK BLUE	
3	RED	
4	MAGENTA	



	Open	
1	Green	
2	Dark pink	
3	Light orange	
4	YELLOW	

Rotating Gobo Wheel

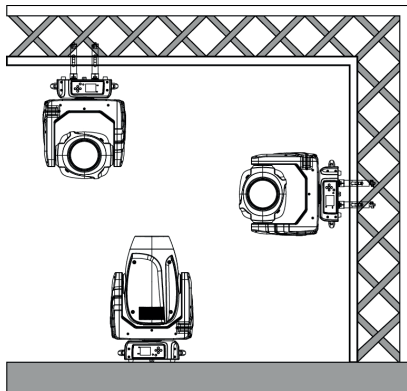
Static gobo wheel



INSTALLATION

The device could be either put on a solid and even Surface, or mounted upside down or sideways like left picture.

The mounting place must be sufficient stable and be able to support a weight of 10 times of the unit's weight. When the fixture is hanged, always additionally secure the device with the safety chain, fasten the safety rope at a suitable position so that the maximum fall of the projector will be 20 cm.



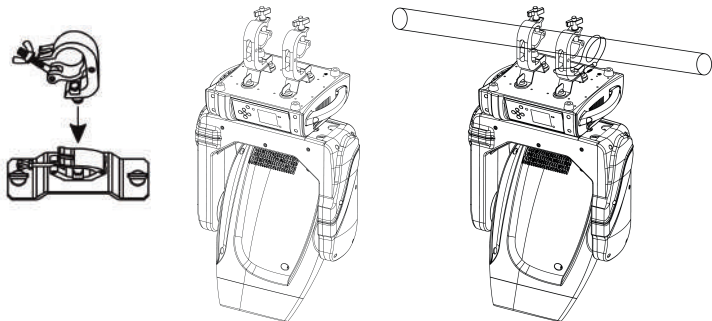
How to do mounting installation

Step one: Installation the clamp onto the omega bracket;

Step two: Install the clamp and bracket on the bottom of panel, fasten the quick-locks;

Step three: Install the whole device onto appropriate truss and fasten the clamps, tight the safety rope with the truss or other fixing point at a suitable position that drop down distance not exceed 20cm.

Clamp not included.



CONTROL MENU

Meaning of the icon in menu

CONNECT	LIGHT	INFOMATION	SET	PROGRAM

Menu Tree

Default setting shadowed. mark with ① can be basic reloaded, ② be program reloaded, ③ can be private reloaded.

Connet	Address①	Value (1-512)		
	Control protocol	DMX/W-DMX/Artnet/sACN		
	DMX Mode	Standard/Basic		
	WIRELESS	WDMX ON/OFF	ON/OFF	
		WDMX MODE	TRANSMITTER/RECEIVER	
		TX LINK	ON/OFF	
		TX UNLINK	ON/OFF	
RX RESET		ON/OFF		
DMX TO WDMX (TX)		ON/OFF		
WDMX TO DMX (RX)	ON/OFF			
Ethernet Setting	Artnet Settings	IP ADDRESS	2.xxx.xxx.xxx	
		NET	xxxxxx	
		SUBNET	xxxxxx	
		UNIVERSE	xxxxxx	
	sACN Settings	IP ADDRESS	2.xxx.xxx.xxx	
		UNIVERSE	xxxxxx	
MERGE MODE		OFF/HTP/LTP		
ETHERNET TO DMX	ON/OFF(ON)			
Setup	Fixture Settings	Dmx Fault①	Hold/Blackout(Hold)	
		Temprature Unit	Fahrenheit /Celsius(Celsius)	
		Hibernation	Off, 01M-99M	
		Fan Mode	AUTO/HIGH/SILENT(AUTO)	
		Dimmer Curve	LINEAR/S-CURVE/SQUARE LAW/ INVERSE SQUARE LAW	
		Dimmer Speed	AUTO/FAST/MEDIUM/SLOW	
		LED Frequency	600HZ/1200 HZ/2000 HZ/4000 HZ/6000HZ/25KHZ/50KHz	
		Menu Language	En	
		Transfer Configuration	No Dmx Address	
			With Dmx Address	
	Movement	Pan Reverse①	OFF/No(OFF)	
		Tilt Reverse①	OFF/No(OFF)	
		Feedback①	OFF/No(No)	
		Pan/Tilt Mode①	Slow/Medium/Fast (Fast)	
Totem Mode①		Off/Up/Down(Off)		
Screen	Backlight①	10~30S/On (10S)		
	Flip Display①	On/Auto(Auto)		
	Status Led	ON/OFF(ON)		
	Key Lock①	ON/OFF(OFF)		

Information	Fixture Time	Fixture Hours	Total Partial	(Only Read) (Read And Reset)
		Current Hours	Total Partial	(Only Read) (Read And Reset)
		LED Hours	Total Partial	(Only Read) (Read And Reset)
		Power On Cycle	Total Partial	(Only Read) (Read And Reset)
		Temperature	Near Source Temp,Driver PCB Temp,Led PCB Temp,...	
	Fans Speed	Near Source Fan,Base Fan ...		
	Channel Value	Pan.....		
	Error Message	Pan,Tilt,.....		
	Fixture Model	xxxxxxxxxxxx		
	RDM UID	(Read And Reset)		
Software Version	1U01 V1.0.00.....			
Service	Reset	All		
		Pan&Tilt		
	Calibration	Password	=xxx	
		Pan	=xxx	
		:	:	
		Focus	=xxx	
		Gobo 1	Focus	
		:	:	
		Gobo 8	Focus	
		:	:	
Encoder Reset	clean value in encoder pcb			
Manual Control	Pan			
Reload Default	Basic Reload(①)	ON/OFF(OFF)		
	Program Reload	ON/OFF(OFF)		
	Factory Reload	ON/OFF(OFF)		
Program	Play①	DMX Receive		
		Slave Receive	Slave Receive 1,2,3	
		Sequence	Master / Alone	
		Music	Master / Alone	
	Select Chase②	Chase Part 1	Chase 1 ~ 8 Chase 1	
		Chase Part 2	Chase 1 ~ 8 Chase 2	
		Chase Part 3	Chase 1 ~ 8 Chase 3	
	Edit Chase②	Chase 1	Chase Test	
		:	Step 01	=xxx
		Chase 8	Step 64	=xxx
Edit Scenes②	Edit Scene 001	Pan,Tilt,.....	=xxx	
	~ Edit Scene 250	--Fade Time--	=xxx	
		--Secne Time--	=xxx	
		DMX Input		
Scenes Record	ScXX=>ScXX			

Factory	Rdm Pid Code			
	Locking	Password		
		xxxHours		
		unlocking code		
	Calibration	Password	=xxx	
		Pan	=xxx	
		:	:	
		Focus	=xxx	
		Gobo 1	FOCUS	
		:	:	
		Gobo 8	FOCUS	
	:	:		
	Max Temperature	80~139°C/176~282°C		
Reset All Data	Yes/No (No)+AA5:F94			

DMX CONNECTION AND DMX PROTOCOL

DMX addressing:

The device is controlled by universal DMX 512 protocol, DMX address is the start channel used to receive instructions from the external controller. For independent control, each fixture must be assigned its unique address control channels. For example, this device has four channel modes: 30, if we set the mode at standard 30 channels mode, and there are several models need to be independently controlled, we just simply address first fixture at 1, and second fixture at 31, third one at 61, etc.

This device is equipped with 5 pins+Ethernet DMX in and out sockets only.

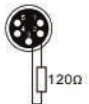


Pin 1= GND
Pin 2= SIG(-)
Pin= SIG(+)

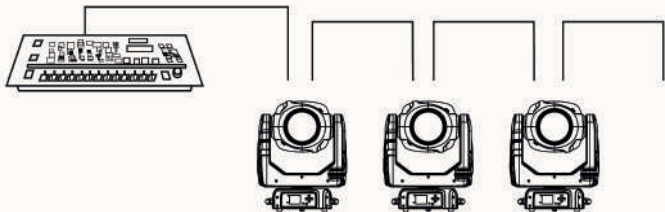
Pin 4= N.A.
Pin 5= N.A.



The termination is prepared by soldering a 120Ω resistor between pins 2 and 3.



Connection: use DMX cable with 5 pins+Ethernet XLR-plugs to connect the controller with the fixture or one fixture with another.



UNIQUE FEATURES

RDM, stand for "Remote Device Management", with this function, users can realize remote control of the device, such as remotely changing DMX address, reverse pan/tilt setting, check a lot of useful information such as temperature, power consumption, fan speed. Etc. Every single device has a unique RDM code before left factory to distinguish from each other, usually not suggest users change this code freely.

Software upgrade function via DMX cable, if there is any new firmware for this device come out, it can be upgraded simply via a software upgrade box, no need to change any mechanical parts. The upgrade box is not included in the package, if need any further assistance pls just contact authorized dealers.

Hibernation, the device will enter sleeping mode if activated after a period of disconnecting DMX signal to save the power consumption, and will return immediately as soon as the DMX signal is sent again.

Display flip, by press up and down button for more than 3 seconds, the display will flip automatically, this function is useful to read menu conveniently when device is hanged.

USB SOFTWARE UPGRADE

1. Power of the fixture
2. Insert the USB into the USB connecting port of socket side.
3. Enter the software upgrade menu, select the new software as need.
4. Select the software upgrade mode "Start" "Self Upgrade".

"Start" means that many fixtures does the software upgrade all together. It will do the upgrade after other fixtures finishes the software upgrade.

"Self Upgrade" means that the fixture does the soft the software upgrade on it own.

Please check whether it shows "USB OK" when it enters the upgrade menu, then it can go ahead. Otherwise, need to disconnect and insert the USB again. This issue is relevant to different USB version.

5. When it shows "OK", means that the upgrade has been success.
6. After the fixture reboot, the software upgrade has been finished completely.

MAINTENANCE

Operation only allowed to qualified person, damages due to unprofessional operation or remove of any parts inside will not be considered in warranty service. There are no serviceable parts inside the device or package, service only leaves to authorized dealers.

Never allow the optical components contact with oil, fat or any other liquid.

A regular clearance of the device is needed for long-term usage, this is very helpful to maintain the lifetime and brightness need to use a soft and lint-free cloth to clean the optical system, fan and air flowing tunnel

TROUBLESHOOTING

Problems	Possible reasons	Checking or solutions
Device not power up	Powercon or power cable damaged Faulty power supply	Change a good power cable to try Replace new power supply
Pan/Tilt error or vibrate	Faulty Pan/Tilt PCB Faulty opto sensor Cable loosen	Replace PT013A PCB Replace opto sensor OP005 Check the cable connect to OP005
Led off	Temperature protection Fan not working Faulty Lamp Dimmer and strobe set at 0 Faulty power supply	Check the temperature from menu Check the fan speed info from menu Replace new Lamp Set dimmer and strobe channel at 255 Replace new power supply
Device not response to DMX	Faulty display PCB Wrong DMX addressing Faulty DMX cable	Replace new display PCB Check the address and setting Change to a good DMX cable

Replacement of the fuse

Need to replace with same type and rating, which originally installed in the device.

Step One: Unplug power cable from main power.

Step Two: Unscrew the fuse holder out of the housing with a screwdriver.

Step Three: Remove the broken fuse and replace with an exact same type of new fuse.

Step Four: Insert the fuse holder back to the housing and screw tight and reconnect power.

DISPOSAL

Packaging:



1. The packaging can be recycled using standard disposal methods and reintroduced into the reusable material cycle.
2. Please follow the laws and regulations regarding disposal and recycling of packaging in your country.

Device:



1. This device is subject to the Waste Electrical and Electronic Equipment (WEEE) Directive of the European Union. Used appliances should not be disposed of with household waste. Used device must be disposed of through an approved disposal company or a municipal disposal facility. Please comply with the applicable regulations in your country.
2. Please follow all the disposal laws and regulations in your country.
3. As a customer, you can obtain information on environmentally-friendly disposal options from the product seller or the appropriate regional authorities.

BIENVENIDO A TRITON BLUE

Muchas gracias por elegir Triton Blue. Esperamos que disfrute de su nuevo producto. Ha sido desarrollado y diseñado cuidando hasta el más mínimo detalle, con un control de calidad con estándares europeos supervisado por nuestro gran equipo de técnicos profesionales, que trabajan día a día para ofrecer a nuestros clientes la mejor calidad.

Nos aseguramos de que cada producto Triton Blue esté diseñado para durar mucho tiempo. Todas nuestras referencias están fabricadas con materiales de larga duración y nuestros especialistas se dedican a realizar constantemente controles de calidad para garantizar el mejor resultado.

Lea atentamente este manual para utilizar su producto Triton Blue de la mejor manera. No dude en visitar nuestra web para más información: www.triton-blue.com

INSTRUCCIONES DE SEGURIDAD

INFORMACIÓN GENERAL

- Es importante leer y seguir las instrucciones cuidadosamente.
- Guarde toda la información y las instrucciones en un lugar seguro.
- Siga siempre las instrucciones proporcionadas.
- Tome nota de todas las advertencias de seguridad y nunca las quite del equipo.
- Utilice el equipo únicamente según lo previsto y para el fin previsto.
- Asegúrese de que los soportes y/o soportes utilizados sean lo suficientemente estables y compatibles para instalaciones fijas. Los soportes de pared deben asegurarse correctamente, y el equipo debe instalarse de forma segura para evitar caídas.
- Al instalar el equipo, asegúrese de observar las normas de seguridad pertinentes de su país.
- No instale ni utilice el equipo cerca de fuentes de calor, como radiadores, rejillas de calor u hornos, y asegúrese de que siempre se enfríe lo suficiente y no se sobrecaliente.
- No coloque fuentes de ignición, como velas encendidas, sobre el equipo.
- Mantenga las ranuras de ventilación despejadas.
- Equipos diseñados solo para uso en interiores y no debe usarse cerca de agua, materiales inflamables, líquidos o gases. Se debe usar para exteriores de acuerdo con las instrucciones del fabricante.
- Asegúrese de que no entren gotas o salpicaduras de agua en el equipo y no coloque recipientes llenos de líquidos sobre el equipo.
- Evite que caigan objetos dentro del equipo.
- Utilice el equipo únicamente con los accesorios recomendados por el fabricante.
- No intente abrir o modificar el equipo.
- Verifique todos los cables después de conectar el equipo para evitar accidentes o daños debido a riesgos de tropiezos.
- Durante el transporte, tome medidas para evitar que el equipo se caiga y cause daños o lesiones.
- Si el equipo no funciona correctamente, se han metido líquidos u objetos en su interior o está dañado, apáguelo inmediatamente y desenchúfelo de la toma de corriente (si corresponde). Solo personal autorizado y cualificado debe reparar el equipo.
- Limpie el equipo con un paño seco.
- Cumpla con todas las leyes de eliminación aplicables y separe el plástico y el papel/cartón durante la eliminación del embalaje.
- Mantenga las bolsas de plástico fuera del alcance de los niños

PARA DISPOSITIVOS DISEÑADOS PARA SER CONECTADOS A LA FUENTE DE ALIMENTACIÓN PRINCIPAL:

- ATENCIÓN: Si su equipo tiene un cable de alimentación con un enchufe con conexión a tierra, debe conectarse a un tomacorriente de pared con conexión a tierra. Nunca retire el enchufe de conexión a tierra del cable de alimentación.
 - Si su equipo ha estado expuesto a cambios extremos de temperatura, permita que alcance la temperatura ambiente antes de encenderlo. De lo contrario, la humedad y la condensación pueden dañar el equipo.
 - Antes de enchufar el equipo, asegúrese de que el voltaje y la frecuencia del tomacorriente coincidan con las especificaciones del equipo. Si el equipo dispone de selector de tensión, sólo conéctelo a la toma de corriente si los valores coinciden. Si el cable de alimentación o el adaptador no se ajustan a su toma de corriente, comuníquese con un electricista.
 - No pise el cable de alimentación. Asegúrese de que no esté pellizcado en la toma de corriente, el adaptador o la conexión del equipo.
 - Mantenga el cable de alimentación o el adaptador al alcance de la mano y desconecte el equipo de la fuente de alimentación cuando no esté en uso o cuando lo esté limpiando. Desenchufe siempre el cable o el adaptador tirando del enchufe o del adaptador, no del cable. Nunca toque el cable o el adaptador con las manos mojadas.
 - Evite encender y apagar el equipo con frecuencia, ya que esto puede reducir su vida útil.
 - IMPORTANTE: Solo reemplace los fusibles con aquellos del mismo tipo y clasificación. Si un fusible se quema repetidamente, comuníquese con un centro de servicio autorizado.
 - Para desconectar completamente el equipo de la red eléctrica, desenchufe el cable de alimentación o el adaptador de la toma de corriente.
 - Si su dispositivo tiene un conector de alimentación Volex, el conector Volex correspondiente debe desbloquearse antes de poder retirarlo. Tenga cuidado al tender los cables, ya que el equipo puede deslizarse o caerse si se tira del cable de alimentación.
 - Desenchufe el cable de alimentación o el adaptador antes de un período prolongado de desuso o en caso de riesgo de caída de rayos.
 - Instale el equipo únicamente cuando esté desconectado de la fuente de alimentación.
 - Para evitar daños y sobrecalentamiento, el personal calificado debe limpiar y reparar el equipo con regularidad según las condiciones ambientales, como polvo, nicotina y niebla.
- Si el producto contiene los siguientes símbolos, lea atentamente:



PRECAUCIÓN: Para reducir el riesgo de descarga eléctrica, no retire la tapa (o la parte trasera). No hay partes reparables por el usuario adentro. El mantenimiento y las reparaciones deben ser realizados exclusivamente por personal de servicio cualificado.



El triángulo de advertencia con el símbolo de un rayo indica un voltaje no aislado peligroso dentro de la unidad, que puede causar una descarga eléctrica.



El triángulo de advertencia con signo de exclamación indica instrucciones importantes de operación y mantenimiento.

INFORMACIÓN IMPORTANTE

¡ADVERTENCIA! INFORMACIÓN IMPORTANTE SOBRE PRODUCTOS DE ILUMINACIÓN

1. Este producto está diseñado específicamente para su uso en tecnología de eventos y no está diseñado para usarse como iluminación doméstica.
2. Es importante evitar mirar directamente al haz de luz, incluso durante un breve período de tiempo.
3. No se deben utilizar instrumentos ópticos, como lupas, para mirar directamente al haz.
4. Si es sensible a los efectos estroboscópicos, es posible que le provoquen un ataque epiléptico. Si tiene epilepsia, es importante evitar los lugares donde se usan luces estroboscópicas.

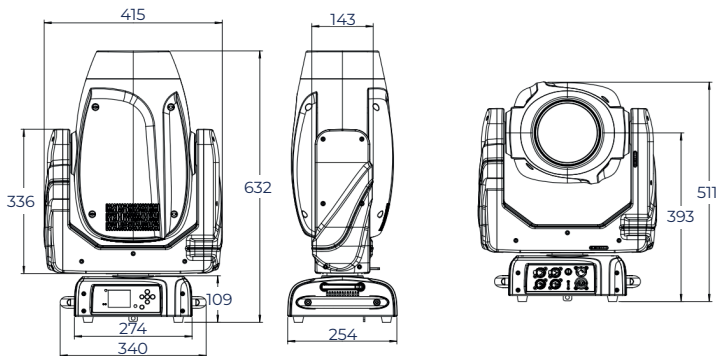
CONTENIDO DEL PAQUETE

- 1 x Halley H330
- 1 x Cable DMX de 3m
- 1 x Cable de alimentación de 1,5 m con powercon
- 2 x Soporte Omega para instalación colgante
- 1 x Cable de seguridad.
- 1 x Manual de usuario

ESPECIFICACIONES TÉCNICAS

- Alimentación: 100-240 V CA, 50/60 Hz ~
- Consumo de energía: 492W
- Lámpara: LED blanco avanzado 380w
- Canales DMX: 30/26 canales
- Ángulo de haz: 3° a 48°
- Flujo luminoso: 13095 lúmenes, 94499 lux@5m
- Fusible: T8A, 250 V
- Dimensiones del dispositivo: 415 x 340 x 632 mm
- Peso neto: 20,5 KG
- Peso bruto: 22 kg
- IP: 20

DIMENSIONES



ESPECIFICACIONES

Fuente

- Fuente de luz: LED blanco avanzado de 380w
- Flujo luminoso: 13095 lúmenes, 94499 lux a 5 m
- Control: Encendido/apagado remoto vía DMX
- Balasto: fuente de alimentación conmutada

Sistema óptico

- Ángulo de haz: 3° a 48°

X/Y

- Giro horizontal: 540° (3,9 s), Inclinación: 265° (2,4 s)
- Resolución de 16 bits
- Reposicionamiento automático

Colores

- CMY lineal
- 9+efecto arcoiris abierto, intercambiable, indexable y bidireccional
- Rebote de color

Gobos

- Exterior ø20mm, interior ø16mm
- 8+posiciones intercambiables personalizadas abiertas para la rueda de gobos giratoria
- 11+gobos fijos abiertos
- Real indexable y agitación de gobos.
- Efecto de animación de gobo distintivo

Características

- Canales DMX: 30/20
- CMY lineal
- Rueda de color: 9 colores
- Rueda de gobos fija: 11+1 gobos
- Rueda de gobos giratoria: 8+1 gobos
- Enfoque motorizado
- Dimmer de rango completo 0-100%
- Varios estroboscópicos
- Prisma giratorio de 8 caras+prisma lineal de 6 que se puede superponer
- Escarcha
- Iris de alta velocidad
- Haz de 3° a 48°
- Función RDM para cambiar la dirección DMX, girar la pantalla, invertir X/Y, etc.
- Actualización de software vía DMX o USB
- Hibernación cuando se pierde DMX durante el tiempo preestablecido
- Indica información de temperatura de la base, led
- Cambio automático de velocidad del ventilador según la temperatura.
- PCB inalámbrico LumenRadio

Pantalla

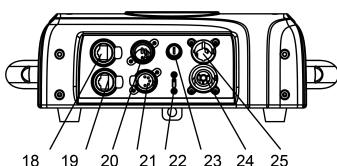
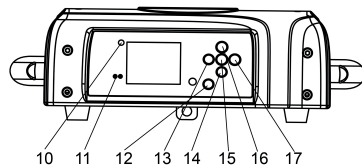
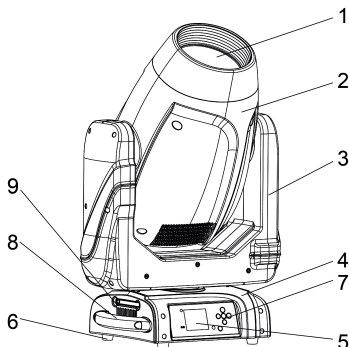
- Pantalla LCD súper agradable de 2,4 pulgadas amigable inglés/chino
- Bloqueo y giro automáticos
- IC de comunicación de respaldo
- CR 10440-1SIP 320mAh, batería de litio recargable de 3,7V

Energía

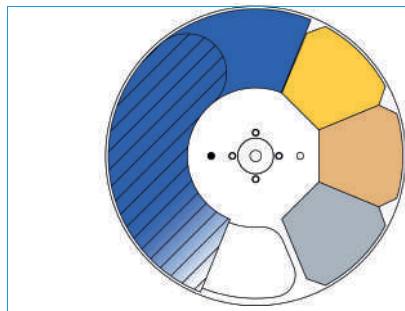
- Consumo máximo de energía: 492W
- Entrada Powercon
- Fuente de alimentación: rango automático electrónico
- Rango de voltaje de entrada: 100-240 V, 50-60 Hz

DESCRIPCIÓN DEL DISPOSITIVO

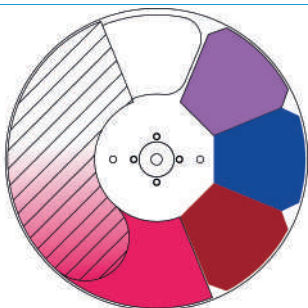
- 1. Lente del proyector
- 2. Cabeza
- 3. Brazo
- 4. Base
- 5. Pantalla
- 6. Soporte
- 7. Botón de operación
- 8. Asa
- 9. Antena
- 10. Indicador inalámbrico
- 11. Ethernet
- 12. Indicador de batería
- 13. Botón izquierdo
- 14. Botón abajo
- 15. Botón entrar
- 16. Botón arriba
- 17. Botón derecho
- 18. Ethernet
- 19. Ethernet
- 20. Entrada DMX de 5 pines
- 21. Salida DMX de 5 pines
- 22. USB
- 23. Fusible
- 24. Salida de energía
- 25. Entrada de energía



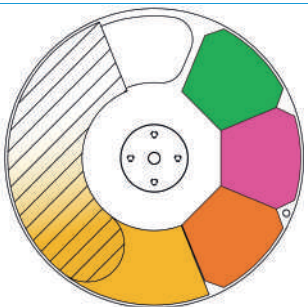
COLORES Y GOBOS






ABIERTO		
1	Hoja de color de dedo de alto rendimiento 6000K	
2	3200K	
3	2400K	
4	CYAN	



	Abierto	
1	CTB-011/468	
2	AZUL CORTEZA	
3	ROJO	
4	MAGENTA	



	Abierto	
1	Verde	
2	Rosa oscuro	
3	Naranja claro	
4	AMARILLO	

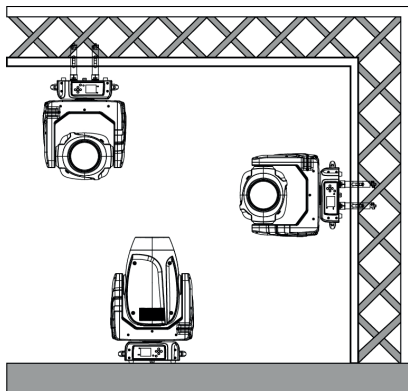
Rueda de gobos giratorios

Rueda de gobos estáticos


INSTALACIÓN

El dispositivo se puede colocar sobre una superficie sólida y uniforme, o montarlo boca abajo o de lado, como en la imagen de la izquierda.

El lugar de montaje debe ser lo suficientemente estable y poder soportar un peso de 10 veces el peso de la unidad. Cuando el aparato esté colgado, asegure siempre adicionalmente el dispositivo con la cadena de seguridad, fije la cuerda de seguridad en una posición adecuada para que la caída máxima del proyector sea de 20 cm.



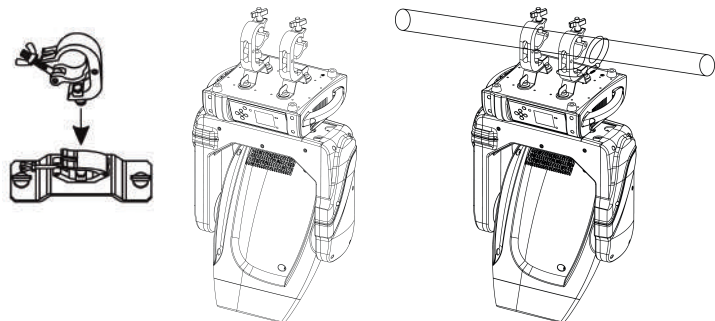
Cómo hacer la instalación de montaje.

Paso uno: Instale la abrazadera en el soporte omega;

Paso dos: Instale la abrazadera y el soporte en la parte inferior del panel, fije los cierres rápidos;

Paso tres: Instale todo el dispositivo en el armazón apropiado y fije las abrazaderas, apriete la cuerda de seguridad con el armazón u otro punto de fijación en una posición adecuada cuya distancia de caída no exceda los 20 cm.

Garras no incluidas.



CONTROL MENU

Significado del icono en el menú

CONECTAR	LUZ	INFOMACIÓN	CONFIGURAR	PROGRAMA
				

Diagrama del menú

Configuración predeterminada sombreada. marque con ① puede ser recargado de forma básica, ② puede ser recargado de programa, ③ puede ser recargado de forma privada.

Connet	Address ①	Value (1-512)		
	Control protocol	DMX/W-DMX/Artnet/sACN		
	DMX Mode	Standard/Basic		
	WIRELESS	WDMX ON/OFF	ON/OFF	
		WDMX MODE	TRANSMITTER/RECEIVER	
		TX LINK	ON/OFF	
		TX UNLINK	ON/OFF	
		RX RESET	ON/OFF	
		DMX TO WDMX (TX) WDMX TO DMX (RX)	ON/OFF ON/OFF	
	Ethernet Setting	Artnet Settings	IP ADDRESS	2.xxx.xxx.xxx
NET			xxxxxx	
SUBNET			xxxxxx	
sACN Settings		UNIVERSE	xxxxxx	
		IP ADDRESS	2.xxx.xxx.xxx	
		UNIVERSE	xxxxxx	
ETHERNET TO DMX	MERGE MODE	OFF/HTP/LTP		
Setup	Fixture Settings	DMX TO DMX (RX)	ON/OFF(OFF)	
		Dmx Fault ①	Hold/Blackout(Hold)	
		Temperature Unit	Fahrenheit /Celsius(Celsius)	
		Hibernation	Off, 01M~99M	
		Fan Mode	AUTO/HIGH/SILENT(AUTO)	
		Dimmer Curve	LINEAR/S-CURVE/SQUARE LAW/ INVERSE SQUARE LAW	
		Dimmer Speed	AUTO/FAST/MEDIUM/SLOW	
		LED Frequency	600HZ/1200 HZ/2000 HZ/4000 HZ/6000HZ/25KHZ/50KHz	
		Menu Language	En	
		Transfer Configuration	No Dmx Address With Dmx Address	
	Movement	Pan Reverse ①	OFF/No(OFF)	
		Tilt Reverse ①	OFF/No(OFF)	
		Feedback ①	OFF/No(No)	
		Pan/Tilt Mode ①	Slow/Medium/Fast (Fast)	
Screen	Totem Mode ①	Off/Up/Down(Off)		
	Backlight ①	10~30S/On (10S)		
	Flip Display ①	On/Auto(Auto)		
	Status Led	ON/OFF(OFF)		
	Key Lock ①	ON/OFF(OFF)		

Information	Fixture Time	Fixture Hours	Total Partial	(Only Read) (Read And Reset)
		Current Hours	Total Partial	(Only Read) (Read And Reset)
			Total Partial	(Only Read) (Read And Reset)
		Power On Cycle	Total Partial	(Only Read) (Read And Reset)
			Total Partial	(Only Read) (Read And Reset)
	Temperature	Near Source Temp,Driver PCB Temp,Led PCB Temp,...		
	Fans Speed	Near Source Fan,Base Fan ...		
	Channel Value	Pan,....		
	Error Message	Pan,Tilt,....		
	Fixture Model	xxxxxxxxxxxx		
RDM UID	(Read And Reset)			
Software Version	1U01 V1.0.00.....			
Service	Reset	All		
		Pan&Tilt		
	Calibration	Password	=xxx	
		Pan	=xxx	
		:	:	
		Focus	=xxx	
		Gobo 1	Focus	
		:	:	
		Gobo 8	Focus	
		:	:	
	Encoder Reset	clean value in encoder pcb		
	Manual Control	Pan		
		:		
Reload Default	Basic Reload(①)	ON/OFF(OFF)		
	Program Reload	ON/OFF(OFF)		
	Factory Reload	ON/OFF(OFF)		
Program	Play①	DMX Receive		
		Slave Receive	Slave Receive 1,2,3	
		Sequence	Master / Alone	
		Music	Master / Alone	
	Select Chase②	Chase Part 1	Chase 1 ~ 8 Chase 1	
		Chase Part 2	Chase 1 ~ 8 Chase 2	
		Chase Part 3	Chase 1 ~ 8 Chase 3	
	Edit Chase②	Chase 1	Chase Test	
		:	Step 01	=xxx
	Edit Scenes②	Chase 8	Step 64	
		Edit Scene 001	Pan,Tilt,....	
		~ Edit Scene 250	--Fade Time--	=xxx
			--Secne Time--	=xxx
Scenes Record		DMX Input		
	ScXX=>ScXX			

Factory	Rdm Pid Code			
	Locking	Password		
		xxxHours		
		unlocking code		
	Calibration	Password	=xxx	
		Pan	=xxx	
		:	:	
		Focus	=xxx	
		Gobo 1	FOCUS	
		:	:	
		Gobo 8	FOCUS	
		:	:	
	Max Temperature	80~139°C/176~282°C		
Reset All Data	Yes/No (No)+AA5:F94			

CONEXIÓN DMX Y PROTOCOLO DMX

Direccionamiento DMX:

El dispositivo está controlado por el protocolo universal DMX 512, la dirección DMX es el canal de inicio utilizado para recibir instrucciones del controlador externo. Para un control independiente, a cada dispositivo se le deben asignar sus canales de control de dirección únicos. Por ejemplo, este dispositivo tiene cuatro modos de canal: 30, si configuramos el modo en el modo estándar de 30 canales y hay varios modelos que deben controlarse de forma independiente, simplemente abordamos el primer dispositivo en 1 y el segundo en 31, el tercero. uno a los 61, etc.

Este dispositivo está equipado únicamente con tomas de entrada y salida Ethernet DMX de 5 pines.

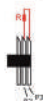
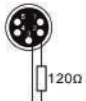


Pin 1= GND
Pin 2= SIG(-)
Pin= SIG(+)

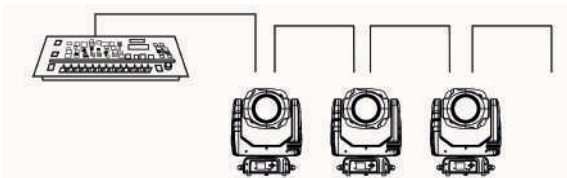
Pin 4= N.A.
Pin 5= N.A.



La terminación se prepara soldando una resistencia de 120 Ω entre los pines 2 y 3.



Conexión: utilice un cable DMX de 5 pines o conector Ethernet para conectar el controlador con el dispositivo o un dispositivo con otro.



CARACTERÍSTICAS UNICAS

RDM, significa "Administración remota de dispositivos", con esta función, los usuarios pueden realizar el control remoto del dispositivo, como cambiar de forma remota la dirección DMX, configuración inversa de giro/inclinación, verificar mucha información útil como temperatura, consumo de energía, ventilador. velocidad. Etc. Cada dispositivo tiene un código RDM único antes de salir de fábrica para distinguirlo entre sí, por lo general no se sugiere a los usuarios que cambien este código libremente.

Función de actualización de software a través de un cable DMX. Si aparece algún firmware nuevo para este dispositivo, se puede actualizar simplemente a través de una caja de actualización de software, sin necesidad de cambiar ninguna pieza mecánica. La caja de actualización no está incluida en el paquete; si necesita más ayuda, comuníquese con los distribuidores autorizados.

Hibernación, el dispositivo entrará en modo de suspensión si se activa después de un período de desconexión de la señal DMX para ahorrar consumo de energía, y regresará inmediatamente tan pronto como se envíe nuevamente la señal DMX.

Girar la pantalla: al presionar el botón arriba y abajo durante más de 3 segundos, la pantalla se volteará automáticamente; esta función es útil para leer el menú cómodamente cuando el dispositivo está colgado.

ACTUALIZACIÓN DE SOFTWARE USB

1. Enciende el dispositivo
2. Inserte el USB en el puerto de conexión USB del lado del enchufe.
3. Ingrese al menú de actualización de software, seleccione el nuevo software según sea necesario.
4. Seleccione el modo de actualización de software "Inicio" "Autoactualización". "Iniciar significa que muchos dispositivos actualizan el software todos juntos. Realizará la actualización después de que otros dispositivos finalicen la actualización del software. "Autoactualización" significa que el dispositivo realiza la actualización del software por sí solo. Verifique si muestra "USB OK" cuando ingresa al menú de actualización, luego podrá continuar. De lo contrario, deberá desconectar e insertar el USB nuevamente. Este problema es relevante para diferentes versiones de USB.
5. Cuando muestra "OK", significa que la actualización ha sido exitosa.
6. Después de reiniciar el dispositivo, la actualización del software habrá finalizado por completo.

MANTENIMIENTO

La operación solo está permitida a personas cualificadas; los daños debidos a una operación no profesional o a la extracción de cualquier pieza interna no se considerarán en el servicio de garantía. No hay piezas reparables dentro del dispositivo o paquete; el servicio solo lo realizan los distribuidores autorizados.

Nunca permita que los componentes ópticos entren en contacto con aceite, grasa o cualquier otro líquido.

Es necesario limpiar periódicamente el dispositivo para un uso prolongado; esto es muy útil para mantener la vida útil y el brillo. Es necesario utilizar un paño suave y sin pelusa para limpiar el sistema óptico, el ventilador y el sistema de flujo de aire.

SOLUCIÓN DE PROBLEMAS

Problemas	Posibles causas	Comprobación o soluciones
El dispositivo no enciende	Powercon o cable de alimentación dañado Fuente de alimentación defectuosa	Cambie un buen cable de alimentación para probar. Reemplace la nueva fuente de alimentación
Error de giro/inclinación o vibración	PCB de giro/inclinación defectuosa Sensor óptico defectuoso Cable aflojado	Reemplace la PCB PT013A Reemplace el sensor óptico OP005 Verifique que el cable se conecte a OP005
Llevar afuera	Protección de temperatura El ventilador no funciona Lámpara defectuosa Atenuador y luz estroboscópica establecidos en 0 Fuente de alimentación defectuosa	Consulta la temperatura desde el menú. Verifique la información de velocidad del ventilador desde el menú Reemplace la lámpara nueva Configure el canal de atenuación y luz estroboscópica en 255 Reemplace la nueva fuente de alimentación
El dispositivo no responde a DMX	PCB de pantalla defectuosa Direccionamiento DMX incorrecto Cable DMX defectuoso	Reemplace la nueva PCB de la pantalla Verifique la dirección y la configuración. Cambiar a un buen cable DMX

Reemplazo del fusible

Es necesario reemplazarlo por uno del mismo tipo y clasificación que el instalado originalmente en el dispositivo.

Paso uno: desenchufe el cable de alimentación de la alimentación principal.

Paso dos: desenrosque el portafusibles de la carcasa con un destornillador.

Paso tres: retire el fusible roto y reemplácelo con exactamente el mismo tipo de fusible nuevo.

Paso cuatro: inserte el portafusibles nuevamente en la carcasa, atorníllelo y vuelva a conectar la alimentación.

RECICLAJE



Embalaje:

1. El embalaje puede ser reciclado utilizando métodos de eliminación estándar y reintroducido en el ciclo de materiales reutilizables.

2. Por favor, sigue las leyes y regulaciones relativas a la eliminación y el reciclaje del embalaje en tu país.



Dispositivo:

1. Este dispositivo está sujeto a la Directiva de Residuos de Equipos Eléctricos y Electrónicos (WEEE) de la Unión Europea. Los aparatos electrónicos usados no deben ser eliminados con los residuos domésticos. Los dispositivos usados deben ser eliminados a través de una empresa de eliminación aprobada o una instalación de eliminación municipal. Por favor, cumple con las regulaciones aplicables en tu país.

2. Por favor, sigue todas las leyes y regulaciones de eliminación en tu país.

3. Como cliente, puedes obtener información sobre opciones de eliminación respetuosas con el medio ambiente del vendedor del producto o las autoridades regionales apropiadas.

DMX

Channel		Name	Function	Min DMX	Max DMX
Standard	Basic				
1	1	Pan	Pan Coarse	0	255
2	2	Pan fine	Pan Fine	0	255
3	3	Tilt	Tilt Coarse	0	255
4	4	Tilt fine	Tilt Fine	0	255
5	5	XY Speed	Fast to Slow	0	255
6	6	Shutter	Close	0	1
			Strobe from slow to fast	2	62
			Open	63	64
			Pulse in from slow to fast	65	125
			Open	126	127
			Pulse out from slow to fast	128	188
			Open	189	190
			Randon from slow to fast	191	251
		Open	252	255	
7	7	Dimmer	Dimmer(Close to Open)	0	255
8		Dimmer Fine	Dimmer(Close to Open)	0	255
9	8	Cyan	Lineary from 0% to 100%	0	255
10	9	Magenta	Lineary from 0% to 100%	0	255
11	10	Yellow	Lineary from 0% to 100%	0	255
12	11	Color Wheel1	Indexed		
			Open	0	18
			Open + CTO 6000K	19	37
			CTO 6000K	38	56
			CTO 6000K + CTO 3200K	57	75
			CTO 3200K	76	94
			CTO 3200K + CTO 2400K	95	113
			CTO 2400K	114	132
			CTO 2400K + CYAN	133	151
			CYAN	152	170
			Forward Spin		
			From fast to slow	171	211
			Stop		
			Stop	212	214
			Reverse Spin		
			From slow to fast	215	255
13	12	Color Wheel 2	Indexed		
			Open	0	18
			Open + LAVANDER	19	37
			LAVANDER	38	56
			DARK GREEN + DARK BLUE	57	75
			DARK BLUE	76	94
			DARK BLUE + DARK RED	95	113
			DARK RED	114	132
			DARK RED + MAGENTA	133	151
			MAGENTA	152	170
			Forward Spin		
			From fast to slow	171	211
			Stop		
			Stop	212	214
			Reverse Spin		
			From slow to fast	215	255

TRITON BLUE

ENGLISH

ESPAÑOL

DMX

14	13	Color Wheel 3	Indexed		
			Open	0	18
			Open + LIGHT GREEN	19	37
			LIGHT GREEN	38	56
			LIGHT GREEN + PINK	57	75
			PINK	76	94
			PINK + LIGHT ORANGE	95	113
			LIGHT ORANGE	114	132
			LIGHT ORANGE + YELLOW	133	151
			YELLOW	152	170
			Forward Spin		
			From fast to slow	171	211
			Stop		
			Stop	212	214
Reverse Spin					
From slow to fast	215	255			
15	14	Rot Gobo	Indexed		
			Open	0	9
			GOBO 1	10	19
			GOBO 2	20	29
			GOBO 3	30	39
			GOBO 4	40	49
			GOBO 5	50	59
			GOBO 6	60	69
			GOBO 7	70	79
			GOBO 8	80	89
			Shake		
			GOBO 1 from slow to fast	90	99
			GOBO 2 from slow to fast	100	109
			GOBO 3 from slow to fast	110	119
			GOBO 4 from slow to fast	120	129
			GOBO 5 from slow to fast	130	139
			GOBO 6 from slow to fast	140	149
			GOBO 7 from slow to fast	150	159
			GOBO 8 from slow to fast	160	169
Forward Spin					
From fast to slow	170	211			
Stop					
Stop	212	213			
Reverse Spin					
From slow to fast	214	255			
16	15	Gobo Rot	Indexed		
			Lineary from 0° to 360°	0	127
			Forward Spin		
			From fast to slow	128	190
			Stop		
			Stop	191	192
Reverse Spin					
From slow to fast	193	255			
17		Gobo Rot Fine	Lineary from 0° to 360° (Indexed)	0	255

18	16	Fixed Gobo	Indexed		
			Open	0	5
			GOBO 1	6	11
			GOBO 2	12	17
			GOBO 3	18	23
			GOBO 4	24	29
			GOBO 5	30	35
			GOBO 6	36	41
			GOBO 7	42	47
			GOBO 8	48	53
			GOBO 9	54	59
			GOBO 10	60	65
			GOBO 11	66	71
			Shake		
			GOBO 1 from slow to fast	72	77
			GOBO 2 from slow to fast	78	83
			GOBO 3 from slow to fast	84	89
			GOBO 4 from slow to fast	90	95
			GOBO 5 from slow to fast	96	101
			GOBO 6 from slow to fast	102	107
			GOBO 7 from slow to fast	108	113
			GOBO 8 from slow to fast	114	119
GOBO 9 from slow to fast	120	125			
GOBO 10 from slow to fast	126	131			
GOBO 11 from slow to fast	132	137			
Forward Spin					
From fast to slow	138	195			
Stop					
Stop	196	197			
Reverse Spin					
From slow to fast	198	255			
19	17	Prism 1	Open	0	127
			Prism insert	128	255
20	18	Prism 1 Rotation	Indexed		
			Lineary from 0° to 360°	0	127
			Forward Spin		
			From fast to slow	128	190
			Stop		
			Stop	191	192
			Reverse Spin		
			From slow to fast	193	255
21	19	Prism 2	Open	0	127
			Prism insert	128	255
22	20	Prism 2 Rotation	Indexed		
			Lineary from 0° to 360°	0	127
			Forward Spin		
			From fast to slow	128	190
			Stop		
			Stop	191	192
			Reverse Spin		
			From slow to fast	193	255
23	21	Frost	Continuous		
			Lineary from 0% to 100%	0	255
24	22	Zoom	Lineary from in to out	0	255

TRITON BLUE

ENGLISH

ESPAÑOL

DMX

25		Zoom Fine	Lineary from in to out	0	255
26	23	Focus	Lineary from in to out	0	255
27		Focus Fine	Lineary from in to out	0	255
28	24	Animation Insertion	Continuous		
			Lineary from 0% to 100%	0	255
29	25	Animation Rotation	Indexed		
			Lineary from 0° to 360°	0	127
			Forward Spin		
			From fast to slow	128	190
			Stop		
			Stop	191	192
			Reverse Spin		
			From slow to fast	193	255
30	26	Control	No Function/Safe	0	1
			PAN REVERSE ON	2	3
			PAN REVERSE OFF	4	5
			TILT REVERSE ON	6	7
			TILT REVERSE OFF	8	9
			PAN/TILT MODE FAST	10	11
			PAN/TILT MODE MEDIUM	12	13
			PAN/TILT MODE SLOW	14	15
			MOVEMENT IN BLACKOUT ON	16	17
			MOVEMENT IN BLACKOUT OFF	18	19
			COLOR WHEEL 1 BLACKOUT ON (index)	20	21
			COLOR WHEEL 1 BLACKOUT OFF (index)	22	23
			COLOR WHEEL 2 BLACKOUT ON (index)	24	25
			COLOR WHEEL 2 BLACKOUT OFF (index)	26	27
			COLOR WHEEL 3 BLACKOUT ON (index)	28	29
			COLOR WHEEL 3 BLACKOUT OFF (index)	30	31
			ROTATING GOBO WHEEL BLACKOUT ON (index)	32	33
			ROTATING GOBO WHEEL BLACKOUT OFF (index)	34	35
			FIXED GOBO WHEEL BLACKOUT ON (index)	36	37
			FIXED GOBO WHEEL BLACKOUT OFF (index)	38	39
			COLOR WHEEL 1 CONTINUOUS MOVEMENT (index)	40	41
			COLOR WHEEL 1 STEP MOVEMENT (index)	42	43
			COLOR WHEEL 2 CONTINUOUS MOVEMENT (index)	44	45
			COLOR WHEEL 2 STEP MOVEMENT (index)	46	47
			COLOR WHEEL 3 CONTINUOUS MOVEMENT (index)	48	49
			COLOR WHEEL 3 STEP MOVEMENT (index)	50	51
			ROTATING GOBO WHEEL CONTINUOUS MOVEMENT (index)	52	53
			ROTATING GOBO WHEEL STEP MOVEMENT (index)	54	55
			FIXED GOBO WHEEL CONTINUOUS MOVEMENT (index)	56	57
			FIXED GOBO WHEEL STEP MOVEMENT (index)	58	59
			Reserved	60	61
			Reserved	62	63
			DISPLAY ON	64	65

30	26	Control	DISPLAY 10S	66	67
			DISPLAY 20S	68	69
			DISPLAY 30S	70	71
			FLIP DISPLAY ON	72	73
			FLIP DISPLAY OFF	74	75
			FLIP DISPLAY AUTO	76	77
			KEY LOCK ON	78	79
			KEY LOCK OFF	80	81
			FAN MODE AUTO	82	83
			FAN MODE SILENT	84	85
			FAN MODE HIGH	86	87
			NO SIGNAL HOLD	88	89
			NO SIGNAL BLACKOUT	90	91
			STATUS LED ON	92	93
			STATUS LED OFF	94	95
			DIMMER CURVE LINEAR	96	97
			DIMMER CURVE S-CURVE	98	99
			DIMMER CURVE SQUARE LAW	100	101
			DIMMER CURVE INVERSE SQUARE LAW	102	103
			DIMMER SPEED AUTO	104	105
			DIMMER SPEED FAST	106	107
			DIMMER SPEED MEDIUM	108	109
			DIMMER SPEED SLOW	110	111
			LED FREQUENCY 600HZ	112	113
			LED FREQUENCY 1200HZ	114	115
			LED FREQUENCY 2000HZ	116	117
			LED FREQUENCY 4000HZ	118	119
			LED FREQUENCY 6000HZ	120	121
			LED FREQUENCY 25KHZ	122	123
			LED FREQUENCY 50KHZ	124	125
			INVERT ZOOM OFF	126	127
			INVERT ZOOM ON	128	129
			RESET ALL	130	131
			RESET PAN/TILT	132	133
			RESET COLOR 1	134	135
			RESET COLOR 2	136	137
			RESET COLOR 3	138	139
			RESET ROTATING GOBO	140	141
			RESET GOBO ROTATION	142	143
			RESET FIXED GOBO	144	145
RESET ZOOM	146	147			
RESET FOCUS	148	149			
RESET ANIMATION	150	151			
RESET 4F PRISM	152	153			
RESET 8F PRISM	154	155			
RESET FROST	156	157			
Reserved	158	253			
FACTORY DEFAULT OF CONTROL FUNCTIONS	254	255			





TRITON BLUE

Más Información | More info at
www.triton-blue.com