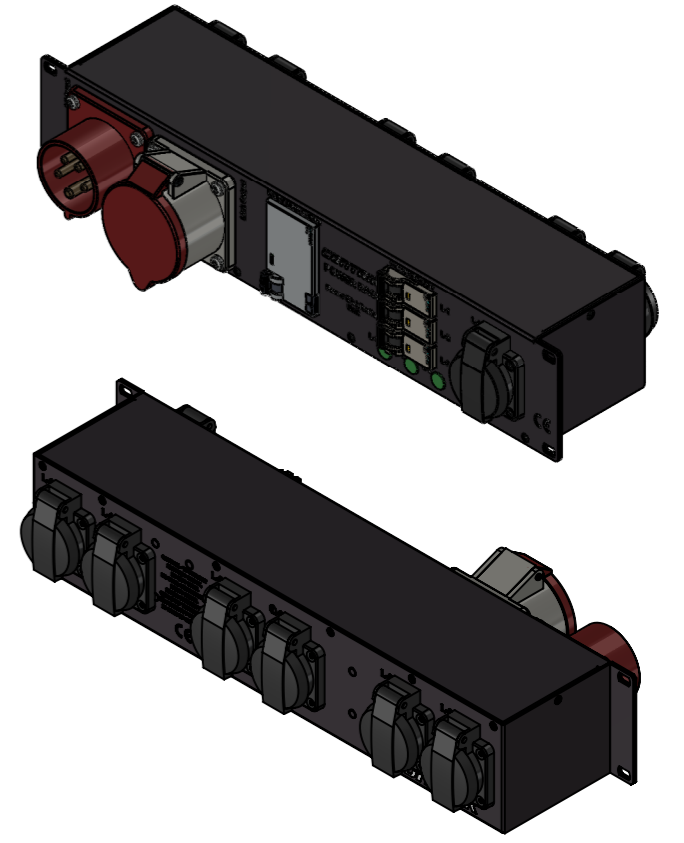
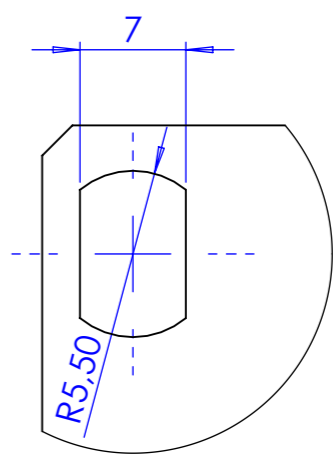


DETAIL Z
MABSTAB 2:1



Sheet Number	Projection	Scale	Format	Tolerancing	
1/1		1:2	A3	ISO 2768-	
	g		cm ²		cm ³
Material		Created	HeBo	28.09.2022	
Material addition		Modified			
Description	CPR16-C2-F7-CB CEE16A Link, 7x Schuko, FI 0,03		Approved	DiRo	28.09.2022
		ECN Number			
		Status	FOR FINAL		
	3D Model ID 41028797	Document ID 1028797	Revision 01		