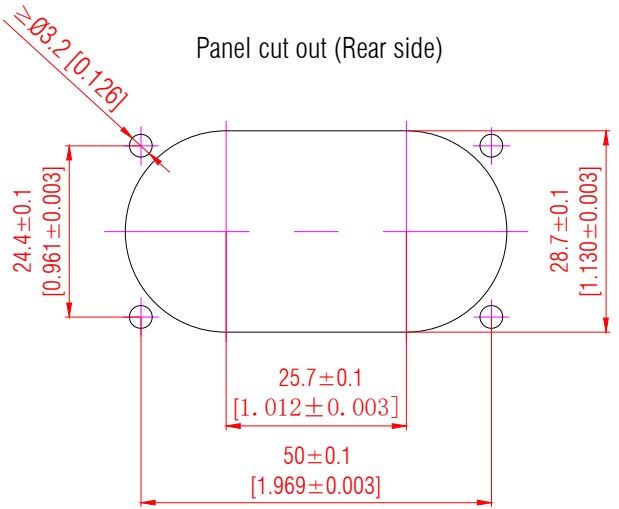


Panel cut out (Rear side)



- Note:
1. All dimensions in mm.
 2. Tolerances not specified is $\pm 0.20\text{mm}$.

				THIS DOCUMENT IS THE PROPERTY OF NEUTRIK. NO PART THEREOF MAY BE REPRODUCED AND USED WITHOUT THE PRIOR WRITTEN CONSENT OF THE OWNER.	Material:	Scale:	Date:	Name:
						1 : 1 (A4)	2023.10.30	Wenqing.huang
							2023.10.30	Dany
							Replaced By:	1
							Replaces:	1
B	Incremental inch mark	2023.10.30	Wenqing.huang	RRAC3MF-X-010				
A	Initial release	2023.9.25	Wenqing.huang					
Rev.	Revision Details	Date	Name	REAN				
				Drawing No.:				