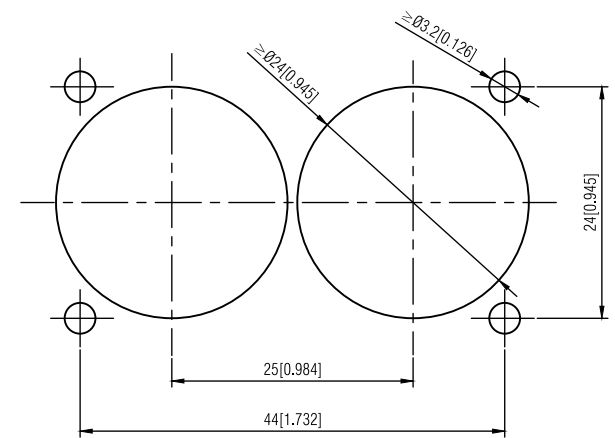
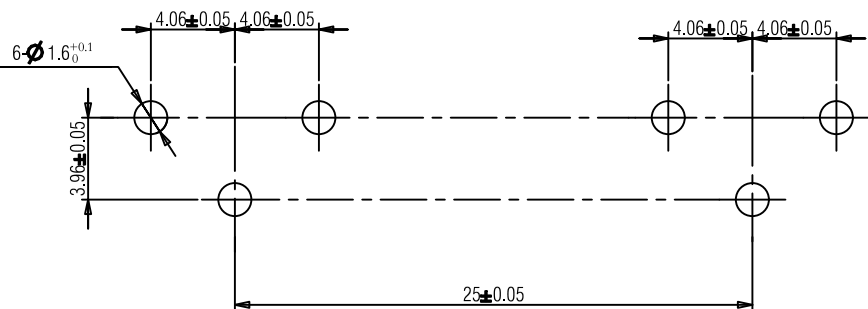


Panel Cut out dimension



PCB mounting size:



- Note:
 1. All dimensions in mm.
 2. Tolerances not specified is ± 0.1 mm.

THIS DOCUMENT IS THE PROPERTY OF NEUTRIK. NO PART THEREOF MAY BE REPRODUCED AND USED WITHOUT THE PRIOR WRITTEN CONSENT OF THE OWNER				Material:	Scale:	Date:	Name:
					2 : 1 (A3)	2023.08.18	Summer.Xia
Title: RRX3MF-Z-012-0				Checked:	2023.08.18	Oliver	
				Approved:			
Rev.				Replaced By:		1	
				Replaces:		1	
Revision Details				Drawing No.:			
				Date			
Name							