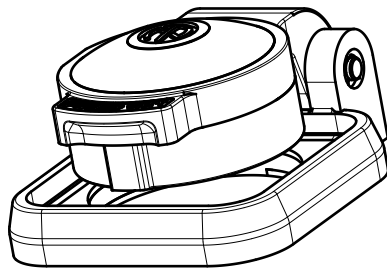
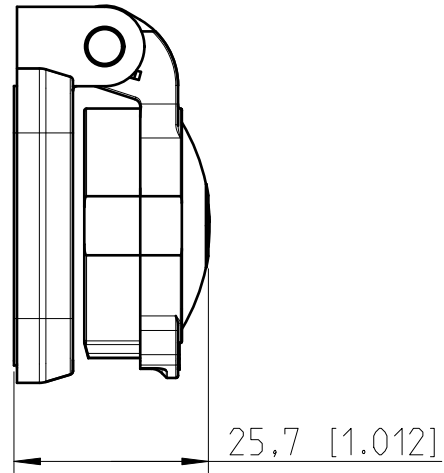
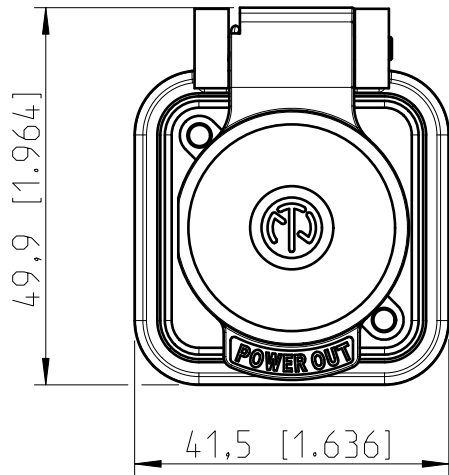


Für Montage max. 180° öffnen!  
 Max. assembly opening 180°!



Sheet Number 1/1	Projection 	Scale 1:1	Format A4	Tolerancing ISO 2768-mK	
ECN Number -			Created 20.05.2021	Beck Lorenz	
Description  SEALING SELF-CLOSING CAP FPX			Modified n.a.	n.a.	
			Approved -	-	
			Status -	-	
<b>NEUTRIK</b>		3D Model ID NSSC-2	Document ID NSSC-2		Revision