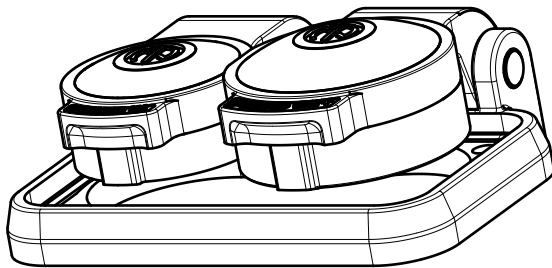
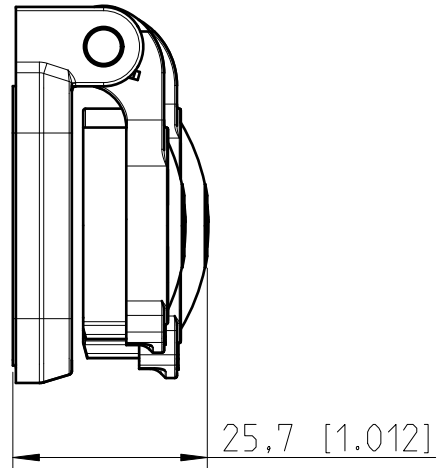


Für Montage max. 180° öffnen!
Max. assembly opening 180°!



| | | | | | |
|--|----------------|-----------------------|-----------------------|----------------------------|----------|
| Sheet Number 1/1 | Projection | Scale 1:1 | Format A4 | Tolerancing ISO 2768-mK | |
| ECN Number - | | | Created 20.05.2021 | Beck Lorenz | |
| Description SEALING SELF-CLOSING CAP PX | | | Modified n.a. | n.a. | |
| | | | Approved - | - | |
| | | | Status | | |
| NEUTRIK | | 3D Model ID NSSC-3 | Document ID NSSC-3 | | Revision |