

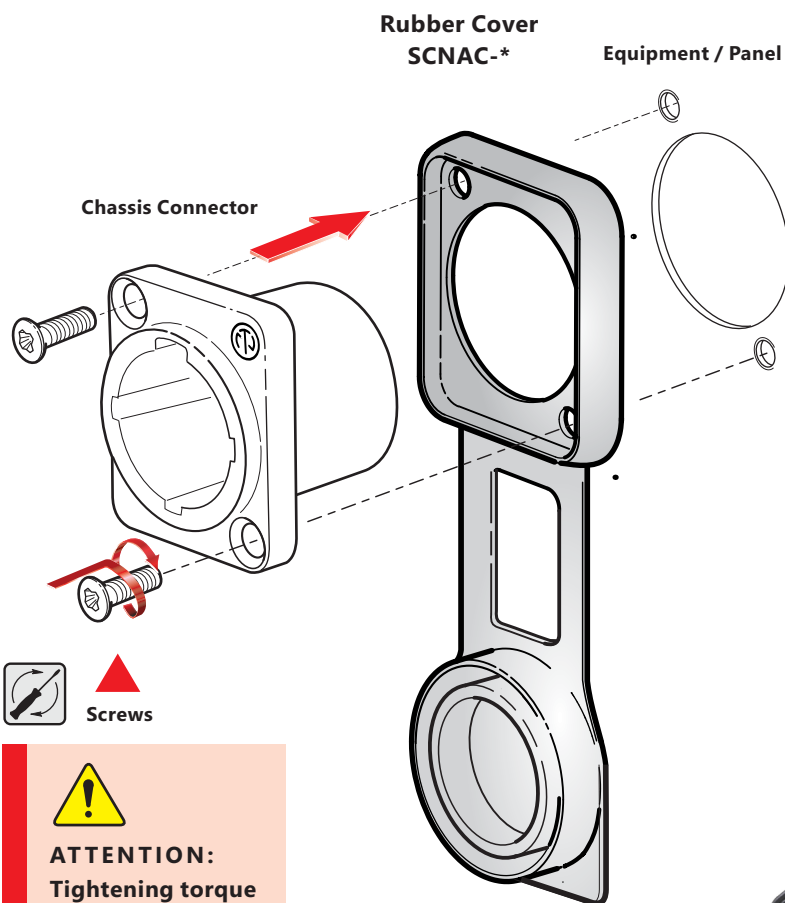


ASSEMBLY INSTRUCTION

- SCNAC-01 | D-Size Rubber Cover "power in"
- SCNAC-02 | D-Size Rubber Cover "power out"
- SCNAC-03 | G-Size Rubber Cover "power out"
- SCNAC-04 | Combination Rubber Cover "power in"/"power out"

EXAMPLE OF RUBBER COVER ASSEMBLY

- A Assemble the rubber cover onto the chassis from the rear side as shown.
- B Put the chassis onto the front panel.
- C Tighten the screws.



ATTENTION:
Tightening torque
 $M_A = 40 \text{ Ncm}$

SCNAC-01 D-Size Rubber Cover "power in"



SCNAC-02 D-Size Rubber Cover "power out"



SCNAC-03 G-Size Rubber Cover "power out"



SCNAC-04 Combination Rubber Cover "power in" / "power out"



Find more details on
www.neutrik.com



Neutrik AG LI T: +423 / 237 24 24 F: +423/232 53 93
Neutrik Americas Inc. USA T: +1 704 / 972 3050 F: +1 704/438 9202
Neutrik (UK) Ltd. UK T: +44 1983 / 811 441 F: +44 1983/811 439
Neutrik Vertriebs GmbH DE/NL/AT/DK T: +49 8131 / 280 890 F: +49 8131/280 830

Neutrik France FR T: +33 1/4131 6750 F: +33 1/4131 0511
Neutrik Tokyo Ltd. JP T: +81 3/3663 4733 F: +81 3/3663 4796
Neutrik Hong Kong Ltd. HK T: +852/2687 6055 F: +852/2687 6052

Draft. Nr.: BDA 643 V1 | Update: 2022-04-08 | Data subject to change without prior notice. © 2022 NEUTRIK®. NEUTRIK® are registered trademark of Neutrik AG. ALL RIGHTS RESERVED.

www.neutrik.com

NEUTRIK