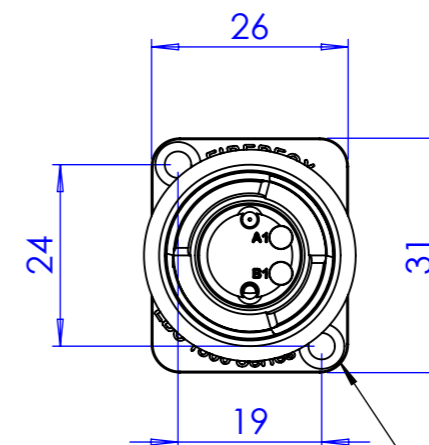
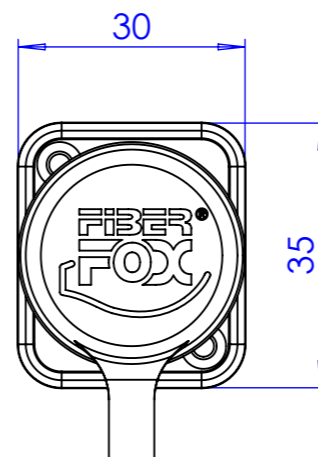
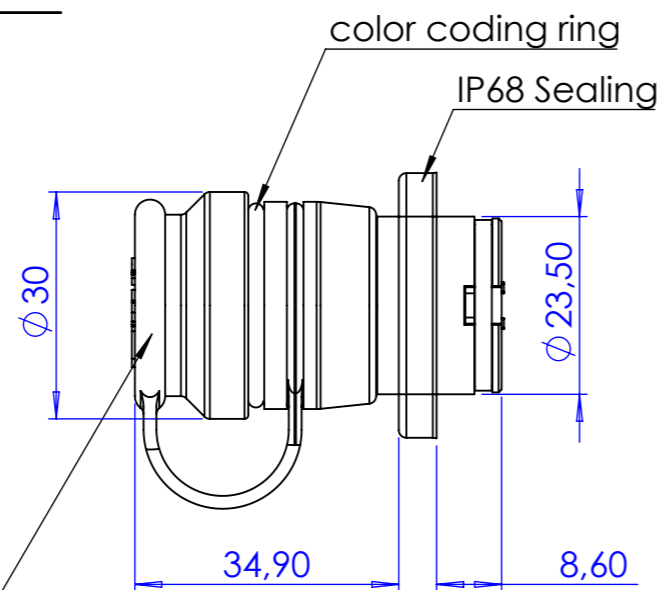
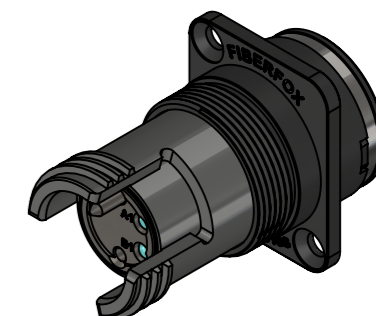



Protective cap



M3 countersunk



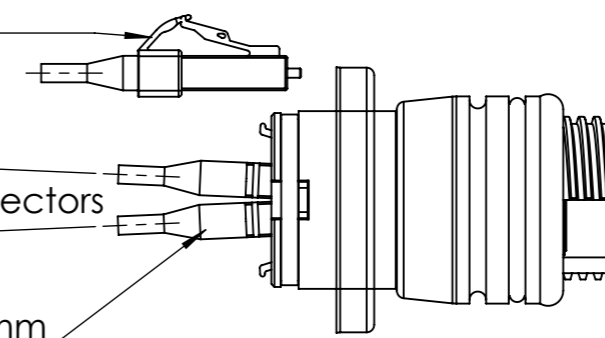
**USE PROPERLY ALIGNED LC CONNECTORS ONLY**

 Before coupling, remove locking clips!

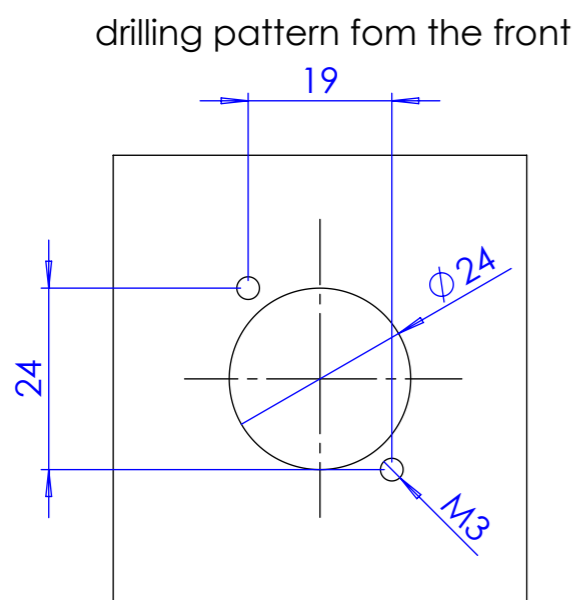
Avoid splayed connectors

Boot  $\phi < 5\text{mm}$





Avoid splayed connectors by using LCs without anti-s snag collars and a boot diameter  $< 5\text{mm}$ ! (e.g. original FIBERFOX patch-cable)



To mount from behind, it is possible to unscrew the case holder.  
- Important, turn the IP68 Sealing!



max. sheet thickness 1,5mm with IP68 turned sealing  
max. sheet thickness 3,5mm without IP68 sealing

Sheet Number	Projection	Scale	Format	Tolerancing	
1/1		1:1	A3	ISO 2768-m	
 70 g	 cm <sup>2</sup>	 21.12 cm <sup>3</sup>	Created	HeBo	06.05.2021
Material			Modified		
Material addition			Approved	DiRo	06.05.2021
Description	N02M4DW-FX		ECN Number		
	FIBERFOX EBC15 bridgE Chassis coupler 2CH MM OM4		Status		
<b>NEUTRIK</b>	3D Model ID	Document ID	Revision		
	4.1027421	1027421	01		