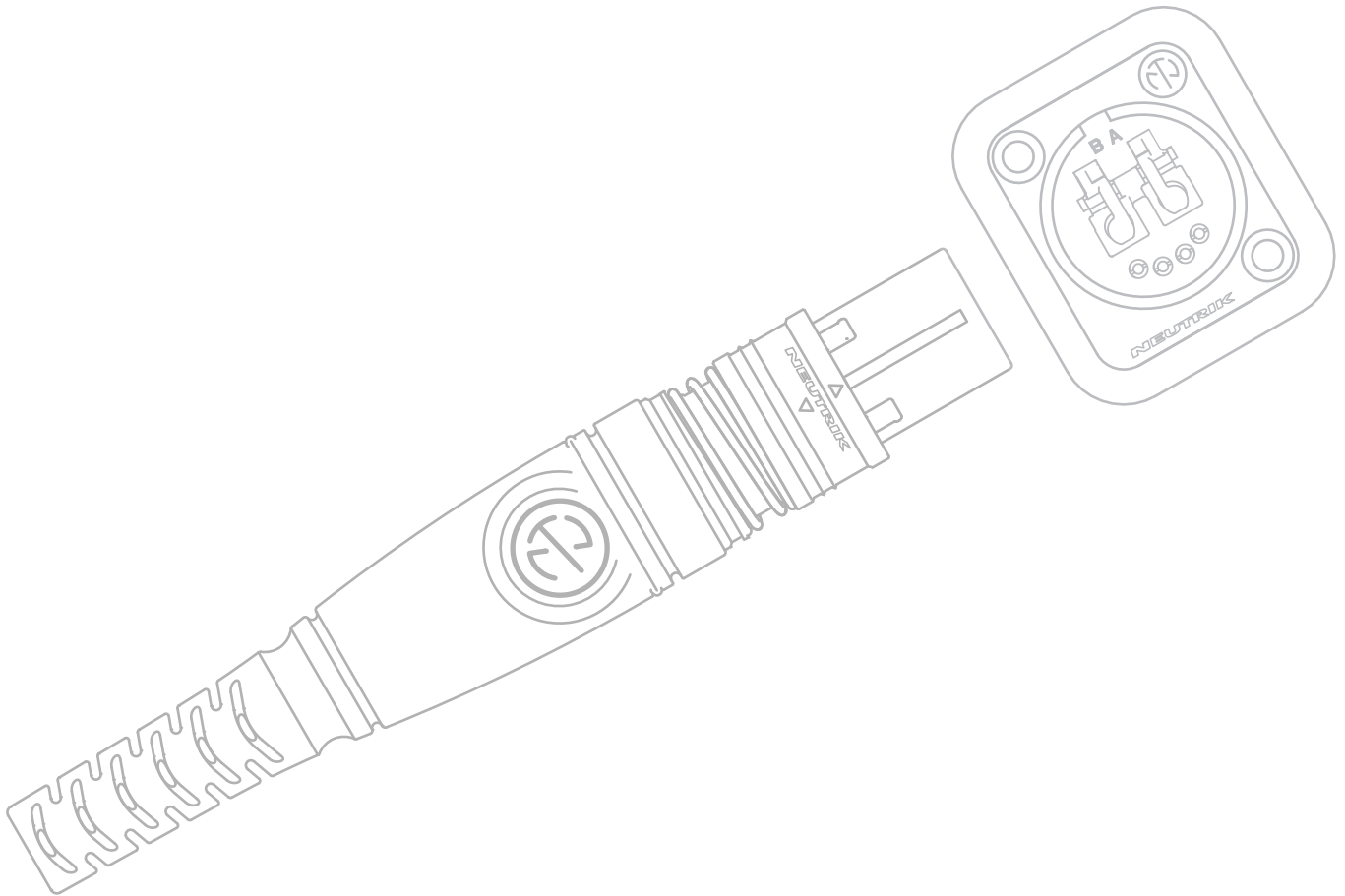




®

HANDLING INSTRUCTION

opticalCON® DUO | Maintenance





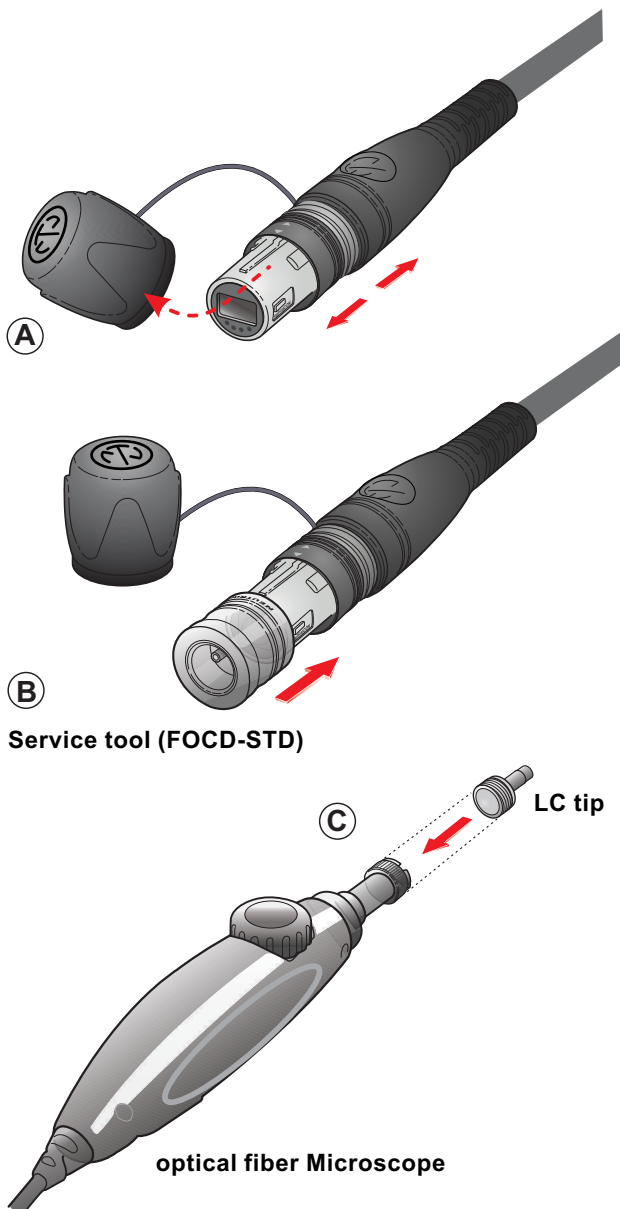
CAUTION: Laser radiation, do not look directly into beam of light!

The sealing shutter mechanism of the opticalCON® avoids contamination of the LC ferrule locked inside. The dust-proof design reduces maintenance intervals to a minimum; if nevertheless necessary, follows the maintenance procedure below to avoid damages on the due to inproper cleaning.

A. Connector Cleaning / Inspection

Intervall: every 500 matings recommended

- Tools:**
- NEUTRIK® DUO service Tool (FOCD-STD)
 - Dry Cleaner 1.25 mm (FOCD-DC125)
 - optical fiber video probe



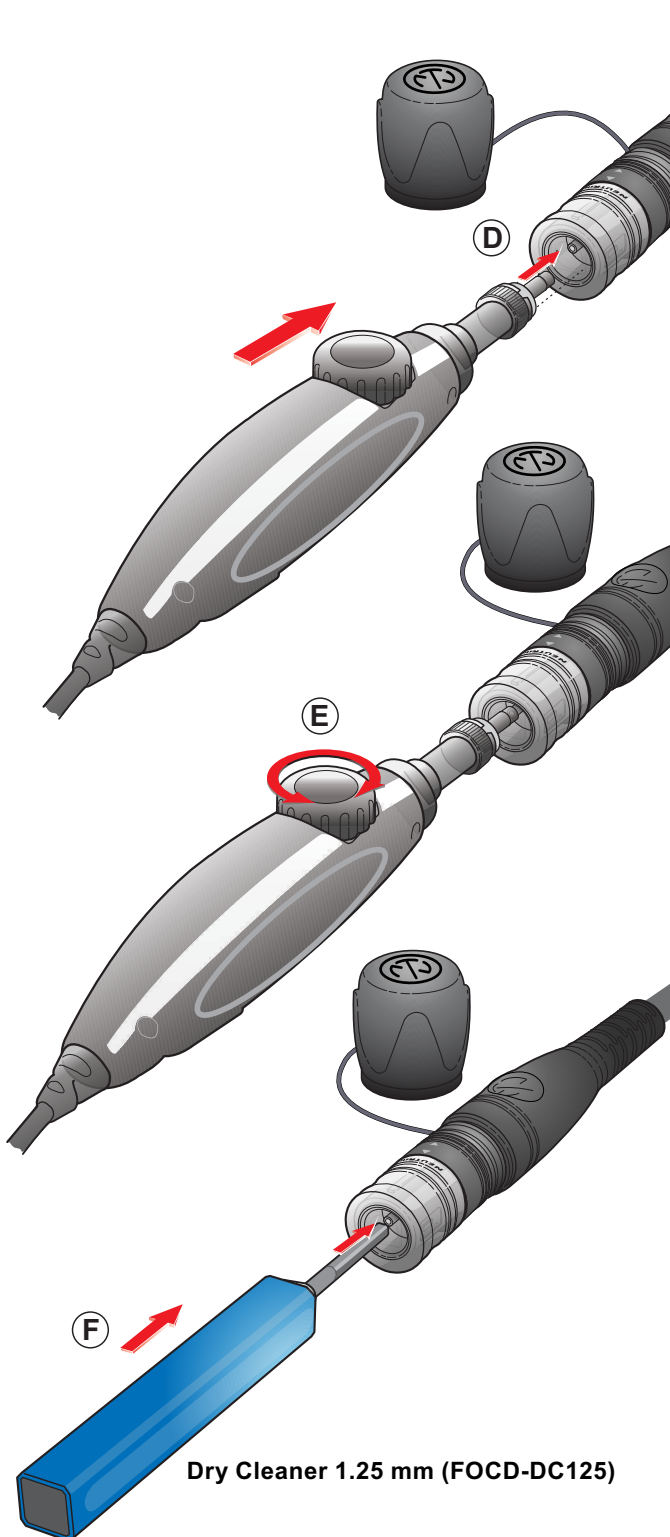
1. Inspection & Dry cleaning (using FOCD-DC125)

1.1 Disconnect both cable ends for safety reasons. Invisible laser radiation may be emitted from disconnected fibers or connectors. Do not stare into beams or view directly with optical instruments.

1.2 Remove dust cap from the connector (A) and mount NEUTRIK FOCD-STD inspection tool on it until it is locked (B).

1.3 Prepare the optical fiber video probe with the correlate tip (C). Under the following QR-code you can find a list with





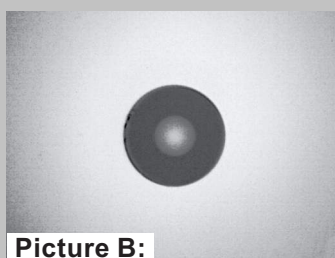
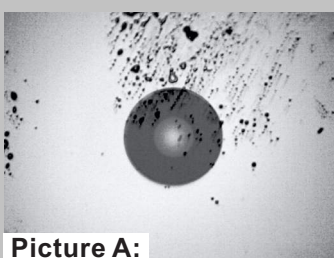
1.4 Insert the video probe tool into our NEUTRIK FOC-STD service tool (D).

1.5 To inspect the LC ferrule surface focus the video probe by rotating the focus wheel (E).

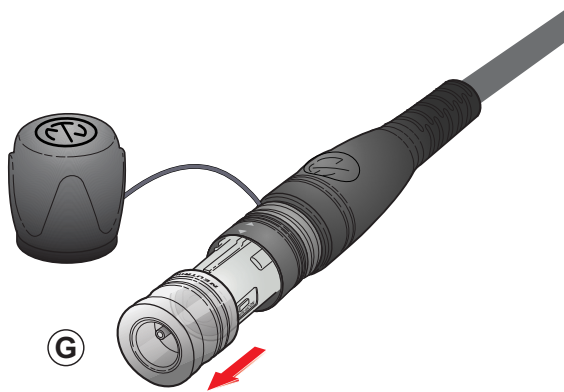
1.6 Clean the LC surface with the Dry Cleaner 1.25 mm over the NEUTRIK DUO service tool.

1.7 Push back and forth the dry cleaner to start the cleaning procedure (F). An endless lint free tape removes dust particle on the ferrule surface of the LC connector.

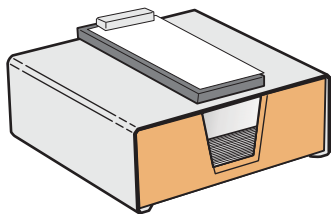
1.8 Check the condition of the LC ferrule surface again and if necessary repeat step 7.



During inspection procedure, make sure that each ferrule is completely free of dust. As a reference the ferrule has to look as illustrated on Picture B.



1.9 After the cleaning procedure unlock the NEUTRIK inspection tool (G).



FOCD-DW



FOCD-CF

2. Wet cleaning using lint-free wipes

2.1 Press forward the twist prevention and untight the connector bushing and remove carefully the insert of the connector housing.

2.2 Inspect the LC connectors with a video probe tool.

2.3 Fold a lint free wipe into a square with one drop of cleaning fluid. Be sure that a portion of the wipe remains dry.

2.4 Wipe slightly the ferrule tip in the cleaning fluid moistened portion of the wipe. Immediately repeat this wiping action on the dry section of the wipe to remove any residual alcohol.

2.5 Dispose the wipe. NEVER REUSE A WIPE.

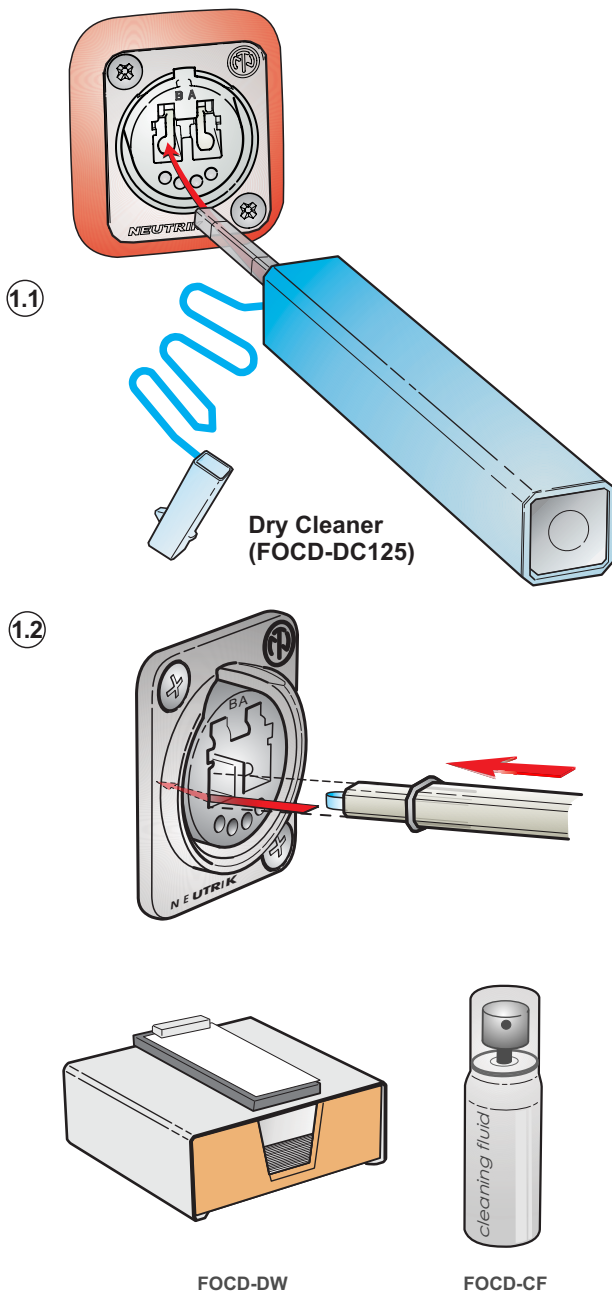
2.6 Inspect the connector again with a video probe tool.

2.7 Repeat the process if necessary.

2.8 After the cleaning procedure slide the connector insert back into the connector housing. Align the key on the insert to the cutout of the metal housing.

2.9 Screw both connector parts together.

B. Chassis Cleaning



- Tools:**
- Dry Cleaner 1.25 mm (FOCD-DC125)
 - 99% isopropyl alcohol (IPA) or cleaning fluid (FOCD-CF)
 - Lint free wipes (FOCD-DW)
 - Video probe (CAS-FOCD)

1. Dry cleaning using FOCD-DC125

- 1.1 Remove Dust cap. Insert the stick of the cleaning device.
- 1.2 Make sure that the insertion position is on the bottom of the LC connector hole in order to hit the sealing shutter release bar.
- 1.3 Push the outer shell to start cleaning the LC connector end face. A "pop" sound indicates end of cleaning process.
- 1.4 Remove the cleaning device and put dust cap over the stick.

2. Wet cleaning using lint-free wipes

- 2.1 Inspect the LC connectors with a video probe tool.
- 2.2 Fold a lint free wipe into a square with one drop of cleaning fluid. Be sure that a portion of the wipe remains dry.
- 2.3 Wipe slightly the ferrule tip in the cleaning fluid moistened portion of the wipe. Immediately repeat this wiping action on the dry section of the wipe to remove any residual alcohol.
- 2.4 Dispose the wipe. NEVER REUSE A WIPE.
- 2.5 Inspect the connector again with a video probe tool.
- 2.6 Repeat the process if necessary.



Find more details of opticalCON
on www.neutrik.com.

Neutrik AG LI T: +423 / 237 24 24 F: +423/232 53 93
 Neutrik USA Inc. USA T: +1 704 / 972 3050 F: +1 704/438 9202
 Neutrik (UK) Ltd. UK T: +44 1983 / 811 441 F: +44 1983/811 439
 Neutrik Vertriebs GmbH DE/NL/AT/DK T: +49 8131 / 280 890 F: +49 8131/280 830

Neutrik France FR T: +33 1/4131 6750 F: +33 1/4131 0511
 Neutrik Tokyo Ltd. JP T: +81 3/3663 4733 F: +81 3/3663 4796
 Neutrik Hong Kong Ltd. HK T: +852/2687 6055 F: +852/2687 6052
 Neutrik India Pvt. Ltd. IND T: +91/982 05 43 424 F: +91/22 26163 540

Draft. Nr.: BDA 520 V2 | Update: 2020-01-07 Data subject to change without prior notice. © 2020 NEUTRIK®. NEUTRIK® are registered trademark of Neutrik AG. ALL RIGHTS RESERVED.