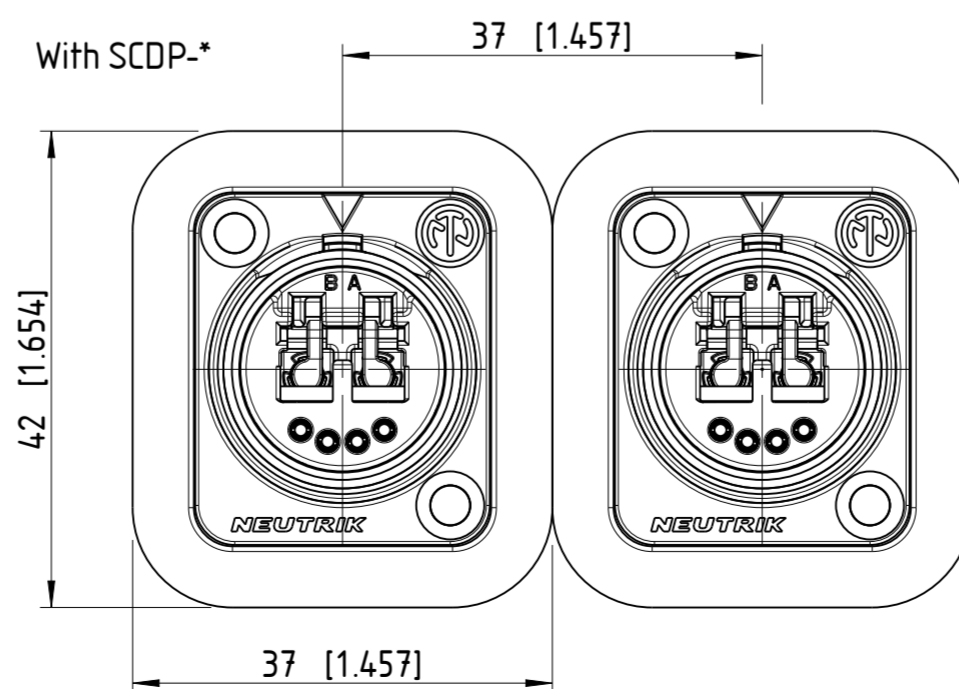
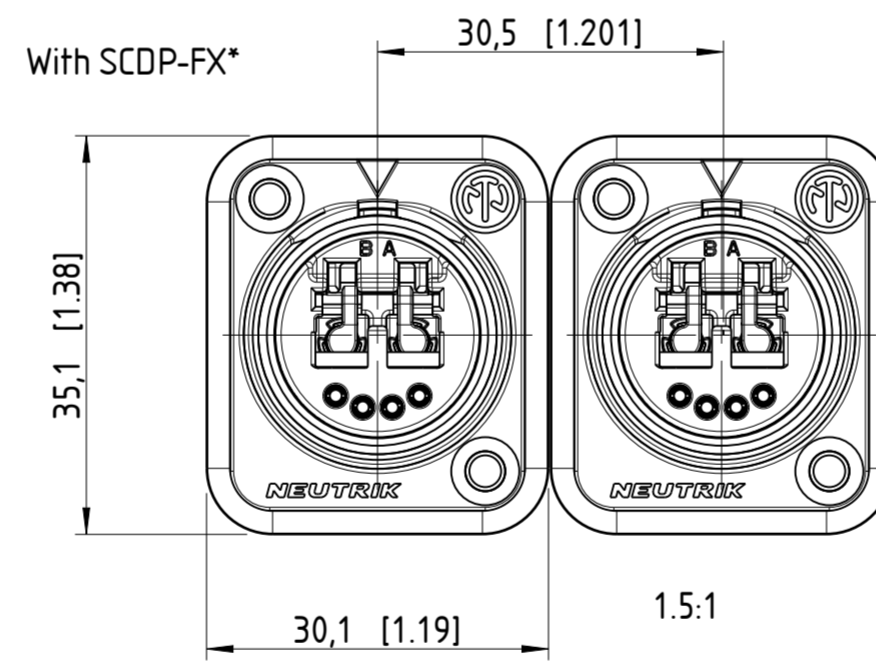
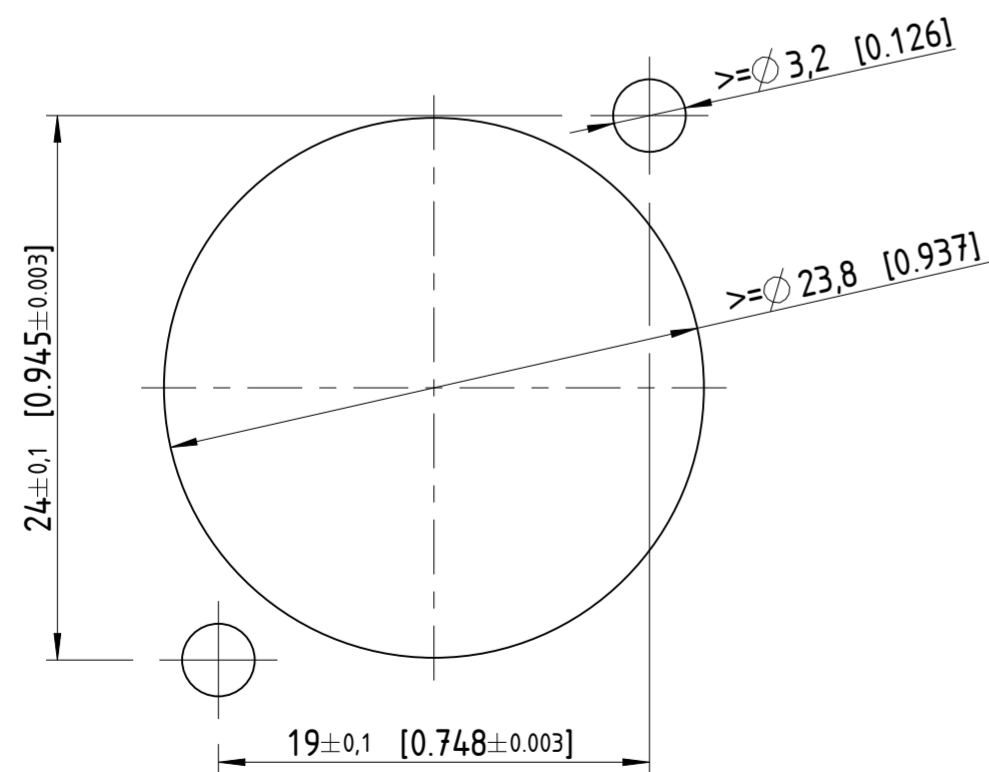


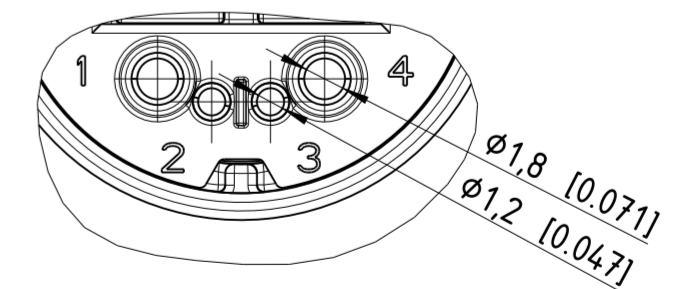
min. Einbauabstand  
min. assembling distance



Frontplattenausschnitt (Rückseite)  
Panel cutout (rear side)



Lötkontakte Rückseite  
Soldering contacts rear side



Sheet Number 1/1	Projection 	Scale 3:1	Format A2	General Tolerancing ISO 2768 mK	
Description			Created on/by	26.02.2013	Koch M.
NO2-4FDW-A			Approved on/by	11.10.2022	Mangeng M.
			Article ID	Model ID	Drawing ID
Status			NO2-4FDW-A	ST-NO2-4FDW-A	20000188
Released	Revision	-	EEN Number	-	-