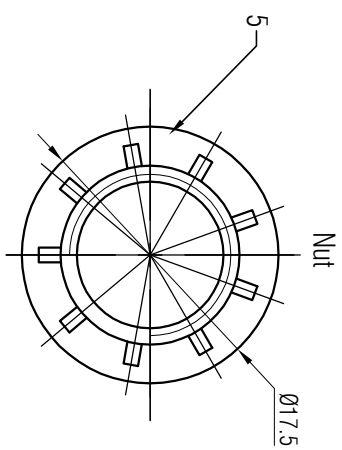
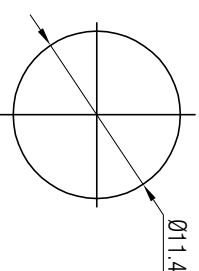
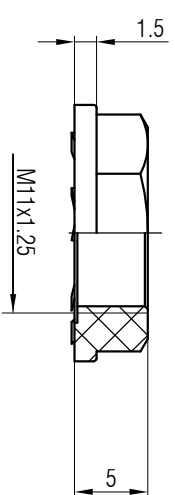


Washer



Nut



Panel Cut Out (Rear Side)

- Note:
1. All dimensions in mm.
 2. Tolerances not specified is ± 0.10 mm.
 3. Radius not specified is $R=0.20$ mm.

5	Nut	PA6 + 30%GF(Black)
4	Washer	PA6 + 30%GF(Black)
3	Housing	PA66 + 30% GF UL94 V-0(Black)
2	Switched Contact	Phosphor Bronze; Tin-Cer Plated
1	Normalizing Contact	Brass; Tin-Cer Plated
No.	Part Name	Material

Rev	Revision Details	Date	Name	THIS DOCUMENT IS THE PROPERTY OF HEURIK. NO PART THEREOF MAY BE REPRODUCED AND/USED WITHOUT THE PRIOR WRITTEN CONSENT OF THE OWNER	Material: Scale: 2 : 1	Title: 1/4" Phone Mono Jacks NYS2122	REAVN	Designer:	Date:	Name:
								Checked:	2022.04.11	Jie-Yu
								Approved:	2022.04.11	Robin.Liu
								Replaced By:		
								Replaces:		1
			Drawing No.:							