



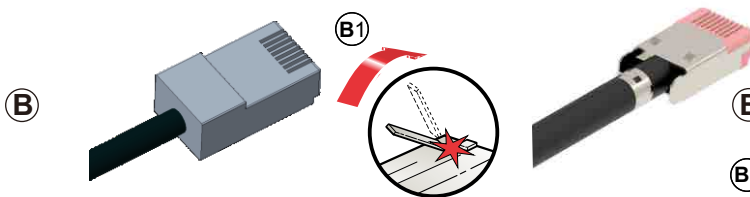
ASSEMBLY INSTRUCTION

RE8MY-1 | RJ45 Data Connector



Ⓐ

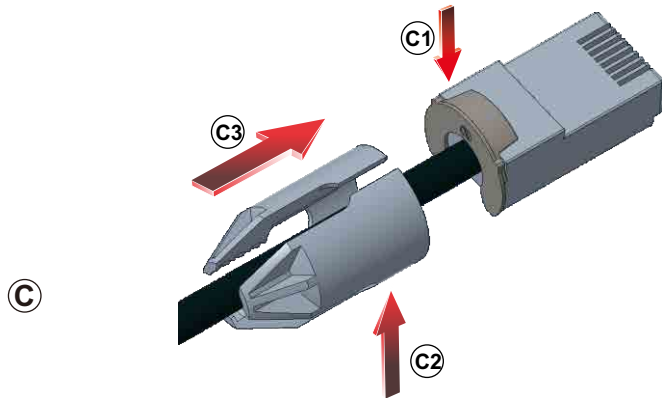
Ⓐ Slide the boot onto the cable.



Ⓑ

Ⓑ Prepare cable as shown.

Ⓑ1 Cut off the release tab of RJ45 plug.



Ⓒ

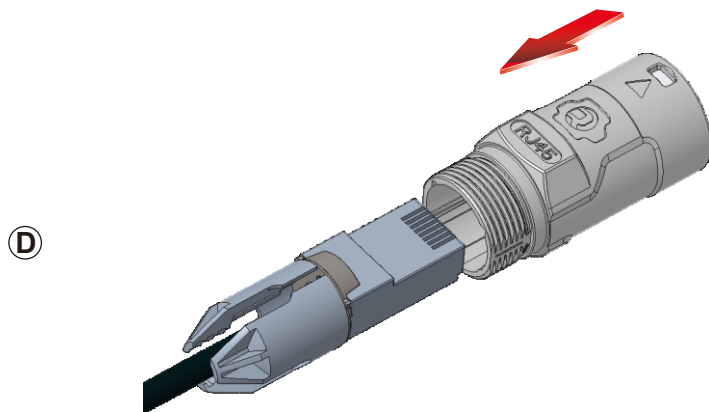
Ⓒ Assemble chuck stop and chuck
Ⓒ1 Put the chuck stop onto the connector.
Ⓒ2 Put the chuck onto the cable.
Ⓒ3 Push the chuck onto the chuck stop.



Chuck stop 1
Cable O.D<5mm



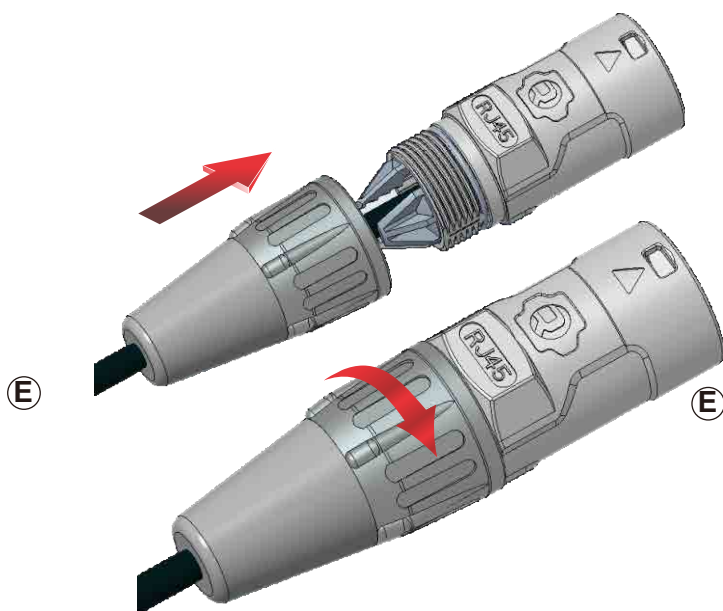
Chuck stop 2
Cable O.D<8mm



Ⓓ

Ⓓ Put the assembled connector, chuck stop and chuck into the housing as shown picture

RJ45 Data Connectors:
Find more details on
www.rean-connectors.com



Ⓔ

Ⓔ Slide the bushing onto the housing thread and then tighten the bushing.

Attention: Tighten the busing to the end of the thread .



Ⓕ

Ⓕ Finish

RJ45 Data Connectors:
Find more details on
www.rean-connectors.com