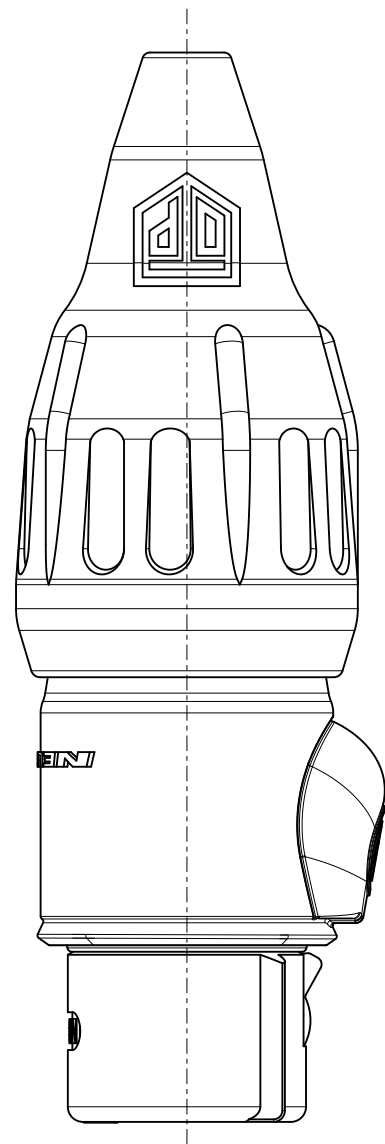
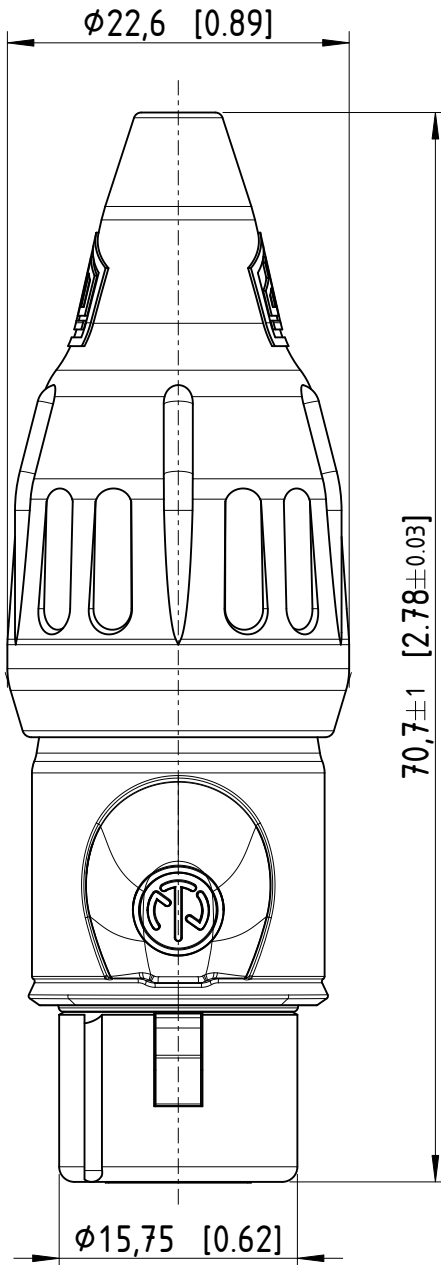


1:1



|                     |                |              |                |                                    |                      |
|---------------------|----------------|--------------|----------------|------------------------------------|----------------------|
| Sheet Number<br>1/1 | Projection<br> | Scale<br>2:1 | Format<br>A4   | General Tolerancing<br>ISO 2768 mK |                      |
| Description         |                |              | Created on/by  | 24.05.2018                         | Zechmann K.          |
| NC3FX-TOP           |                |              | Approved on/by | 11.11.2022                         | Schmiedl T.          |
|                     |                |              | Article ID     | Model ID                           | Drawing ID           |
| Status              |                |              | Revision       | ECN Number                         | <b>Neutrik Group</b> |
| Released            |                |              | -              | -                                  |                      |