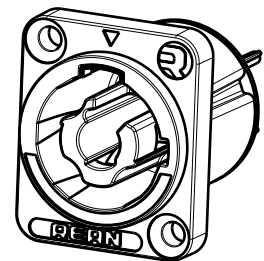
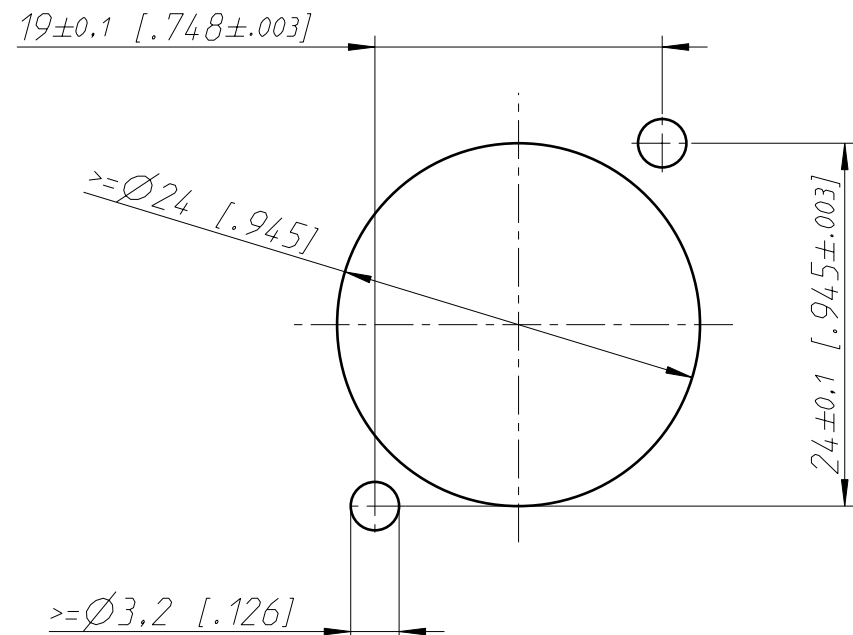


Frontplattenausschnitt Rückseite  
panel cutout rearside



1:1

General tolerances ISO 2768-m	Scale	Date	Name
Refer to protection notice ISO 16016.	2:1 (A3)	18.11.19	Hofmann
Name		Drawn	Modified
RRAC30-G-000		-	-
		Change-No.	Sheet-No.
		-	1 / 1
		Index	-
		Replacement for:	
		Drawing-No.	ST-RRAC30-G-000
<b>NEUTRIK</b>			