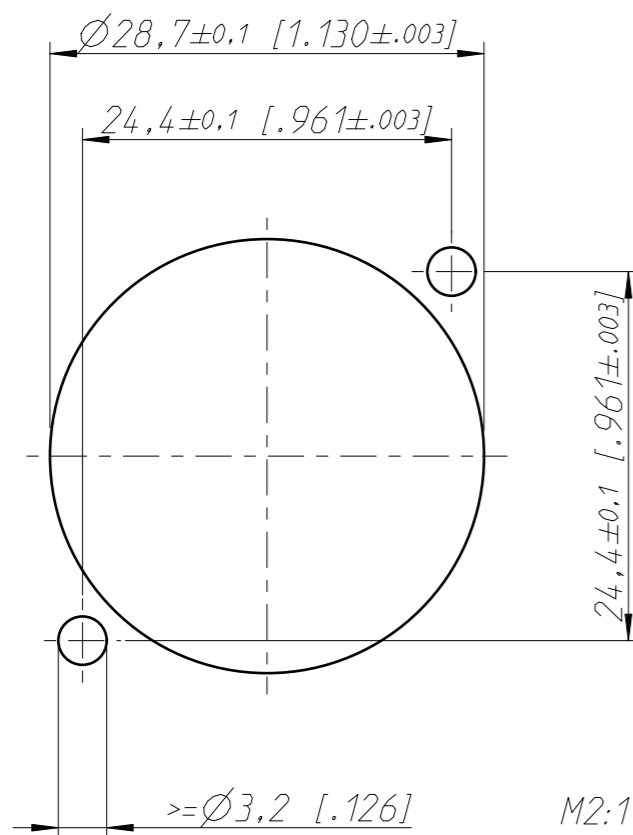


Frontplattenausschnitt Rückseite
panel cutout rearside



General tolerances ISO 2768-m	Scale		Date	Name
Refer to protection notice ISO 16016.	2:1 (A3)	Drawn	03.05.18	Ender
Name	powerCON TRUE1 TOP	Modified	-	-
	NAC3FPX-ST-TOP	Change-No.	Sheet-No.	Index
		-	1 / 1	-
		Replacement for:		
		Drawing-No.		
	NEUTRIK	ST-NAC3FPX-ST-TOP		