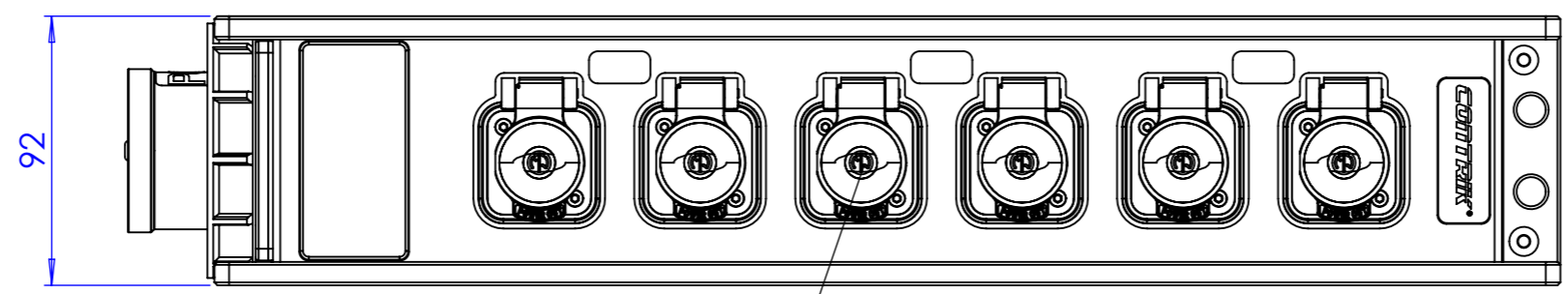
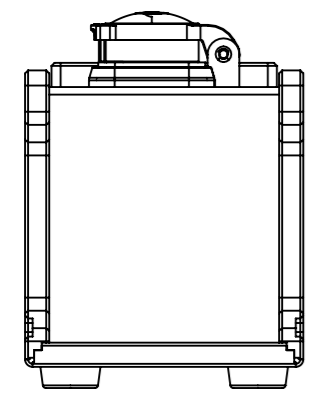
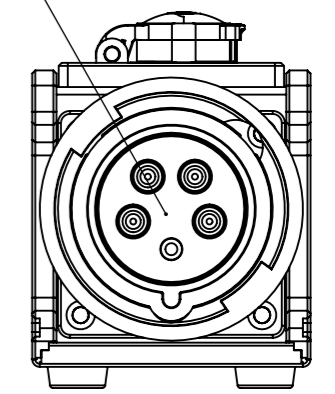
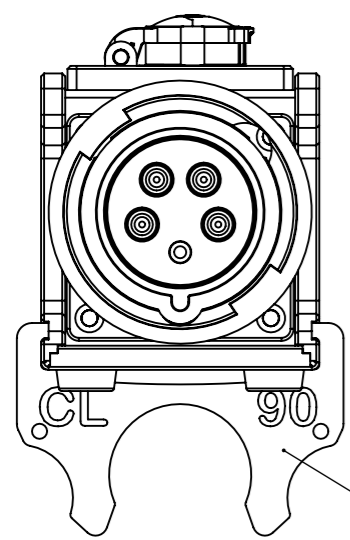


input
PCE C16-5 [6152-6]
panel mounted inlet



output
6x NAC3FPX-TOP
with sealing self-closing cap NSSC-2

Optional!
Trussclip for pipe Ø48mm (1½")
2pcs per pack
Order-Code: 1027563



Sheet Number 1/1	Projection 	Scale 1:2.5	Format A3	Tolerancing ISO 2768-
Material g	Material addition	Volume 1629.02 cm ³	Created HeBo	03.06.2021
Material	Material addition	Modified	Approved DiRo	03.06.2021
Description CCV5RD-6T1-C 6xC T1 CEE16-5 in IP65 pB3	ECN Number	Status FOR FINAL		
CONTRIK	3D Model ID 41027454	Document ID 1027454	Revision 01	