



product details

## 64756 CP/93 1200W 230V G22 FS1

Product description: 64756 CP/93 1200W 230V G22 FS1  
 Product code: 4050300296722  
 Quantity: Folding carton box (FS) contains 1 Piece (PCE)

Applications	
Burning position	s90

Categorizations	
LIF	CP/93

General Description	
Base (standard designation)	G22

Logistical Data	
Product weight	100 g

Technical - Electrical Data	
Construction voltage	230 V
Lamp voltage	230 V
Rated wattage	1.2 kW

Technical - Geometries	
Diameter	26 mm
Filament length	13.00 mm
Light centre length (LCL)	63.5 mm
Illuminated field	13.0*15.0 mm <sup>2</sup>
Length	140 mm
Radiation length	63.5 mm
Filament diameter	15.0 mm

Technical - Lifespan	
Lifespan	200 h

Technical - Light Technical Data	
Luminous flux	30000 lm
Color temperature	3200 K
Luminous efficacy	25 lm/W

Technical - Temperatures	
Maximum permissible ambient temperature	400 °C

Packaging units				
Product code	Packaging type and content	Dimensions in h x w x l	Gross weight	Volume
4050300296722	Folding carton box contains 1 Piece	63,000 mm x 57,000 mm x 173,000 mm	133,112 g (0,000 g)	0.610 Cubic dec.
4050300296739	Shipping carton box contains 20 Piece	240,000 mm x 190,000 mm x 295,000 mm	2.870,439 g (0,000 g)	13.321 Cubic dec.





product details

**64756 CP/93 1200W 230V G22 FS1**

**Literature**

A summary of studio lamps can be found on the halogen studio lamps poster

For more information on halogen lamps for studio, stage and TV see the brochure "Good news for show business" and our cross-reference-list "Halogen High Voltage Lamps".

# Technical Information

No. DO-5335



product details

64756 CP/93 1200W 230V G22 FS1

Tungsten Halogen  
single ended

Edition: 05/06 - subject to change

Supersedes: 10/01

Status: valid

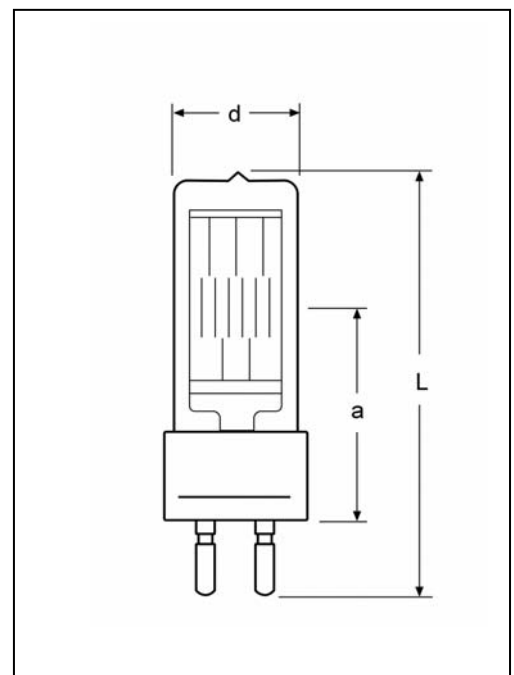
# 64756 (230/240V)

## ■ Product description

The OSRAM 64756 is mainly used for studio, film and theatre in Fresnel, Profile, PC Spot and Follow Spot luminaires.

## ■ Technical Data

Lamp / order reference	64756	
ANSI	-	
LIF	CP/93	
Rated lamp wattage	W	1200
Rated lamp voltage	V	230/240
Average life-time	h	200
Color temperature	K	3200
Luminous flux	lm	30000
Luminous efficacy	lm/W	25.00
Base	G 22	
Diameter d	mm	25 ± 1
Lamp length L	mm	140 max.
LCL a	mm	63.5 ± 2
Filament dimensions (w x h)	mm	25 x 15
Type of filament	biplan	



## ■ Lamp operation

Max. pinch seal temperature °C	400°C max.
Burning position	s90
Fuse protection	D-Fusing 500V, 10A fast
Remarks	Use of closed luminaires recommended