

elumen8

CYC600 RGBW 150W COB Cyclorama Wash

User Manual



Order codes: ELUM122

WARNING

FOR YOUR OWN SAFETY, PLEASE READ THIS USER MANUAL CAREFULLY BEFORE YOUR INITIAL START-UP!

- Before your initial start-up, please make sure that there is no damage caused during transportation.
- Should there be any damage, consult your dealer and do not use the equipment.
- To maintain the equipment in good working condition and to ensure safe operation, it is necessary for the user to follow the safety instructions and warning notes written in this manual.
- Please note that damages caused by user modifications to this equipment are not subject to warranty.



IMPORTANT:

The manufacturer will not accept liability for any resulting damages caused by the non-observance of this manual or any unauthorised modification to the equipment.

- Never let the power cable come into contact with other cables. Handle the power cable and all mains voltage connections with particular caution!
- Never remove warning or informative labels from the unit.
- Do not open the equipment and do not modify the unit.
- Do not connect this equipment to a dimmer pack.
- Do not switch the equipment on and off in short intervals, as this will reduce the system's life.
- Only use the equipment indoors.
- Do not expose to flammable sources, liquids or gases.
- Always disconnect the power from the mains when equipment is not in use or before cleaning! Only handle the power-cable by the plug. Never pull out the plug by pulling the power-cable.
- Make sure that the available mains supply voltage is between 100~240V AC, 50/60Hz.
- Make sure that the power cable is never crimped or damaged. Check the equipment and the power cable periodically.
- If the equipment has been exposed to drastic temperature fluctuation (e.g. after transportation), do not connect power or switch it on immediately. The arising condensation might damage the equipment. Leave the equipment switched off until it has reached room temperature.
- Never touch the fixture during operation as it may be hot.
- If the equipment is dropped or damaged, disconnect the mains power supply immediately and have a qualified engineer inspect the equipment before operating again.
- If your product fails to function correctly, stop use immediately. Pack the unit securely (preferably in the original packing material), and return it to your Pro Light dealer for service.
- Only use fuses of same type and rating.
- Repairs, servicing and power connection must only be carried out by a qualified technician. THIS UNIT CONTAINS NO USER SERVICEABLE PARTS.
- This lighting fixture is for professional use only - it is not designed for or suitable for household use. The product must be installed by a qualified technician in accordance with local territory regulations. The safety of the installation is the responsibility of the installer. The fixture presents risks of severe injury or death due to fire hazards, electric shock and falls.
- Warning! Risk Group 2 LED product according to EN 62471. Do not view the light output with optical instruments or any device that may concentrate the beam.
- WARRANTY: Two years from date of purchase.

OPERATING DETERMINATIONS

If this equipment is operated in any other way, than those described in this manual, the product may suffer damage and the warranty becomes void. Incorrect operation may lead to danger e.g: short-circuit, burns and electric shocks etc.

Do not endanger your own safety and the safety of others!

Incorrect installation or use can cause serious damage to people and/or property.

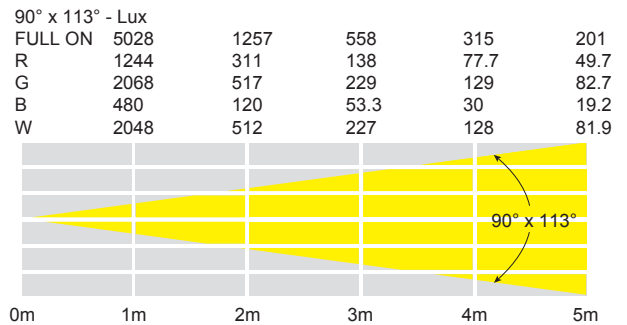
CYC600 RGBW 150W COB Cyclorama Wash

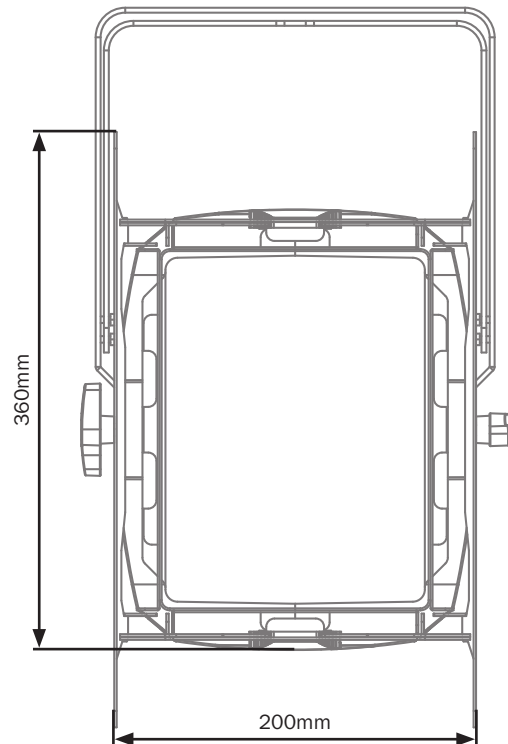
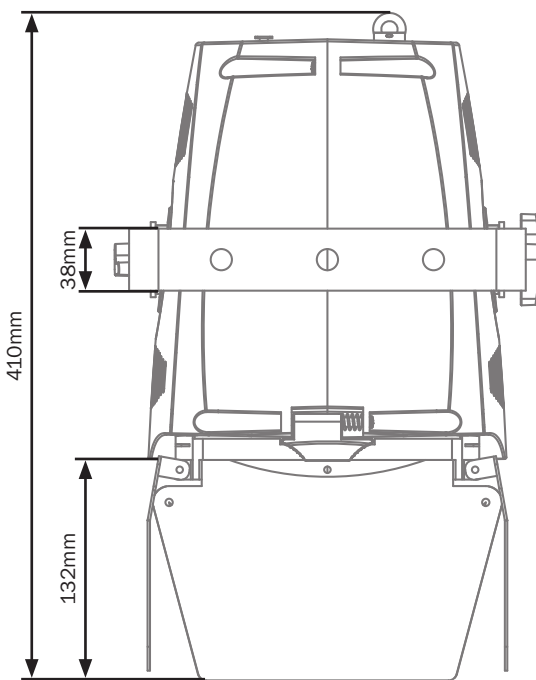
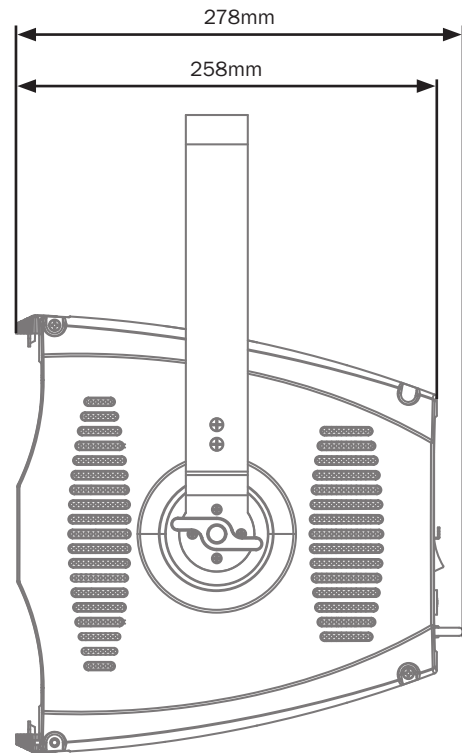
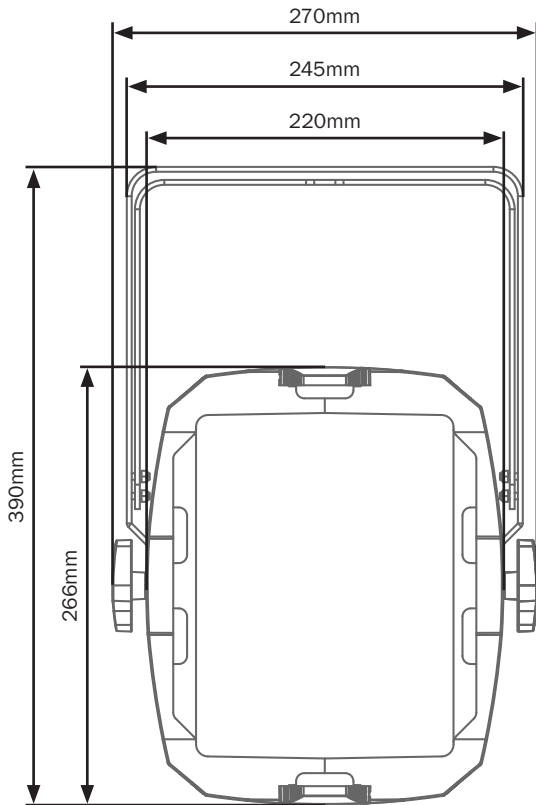
The CYC600 from eLumen8 is a powerful, quad colour cyclorama wash suitable for theatre, studio or stage lighting. The wide angle, 90° x 113° beam is designed to deliver rich, even tones across large areas while the COB LED technology ensures a perfect colour mix without any multicoloured shadows.

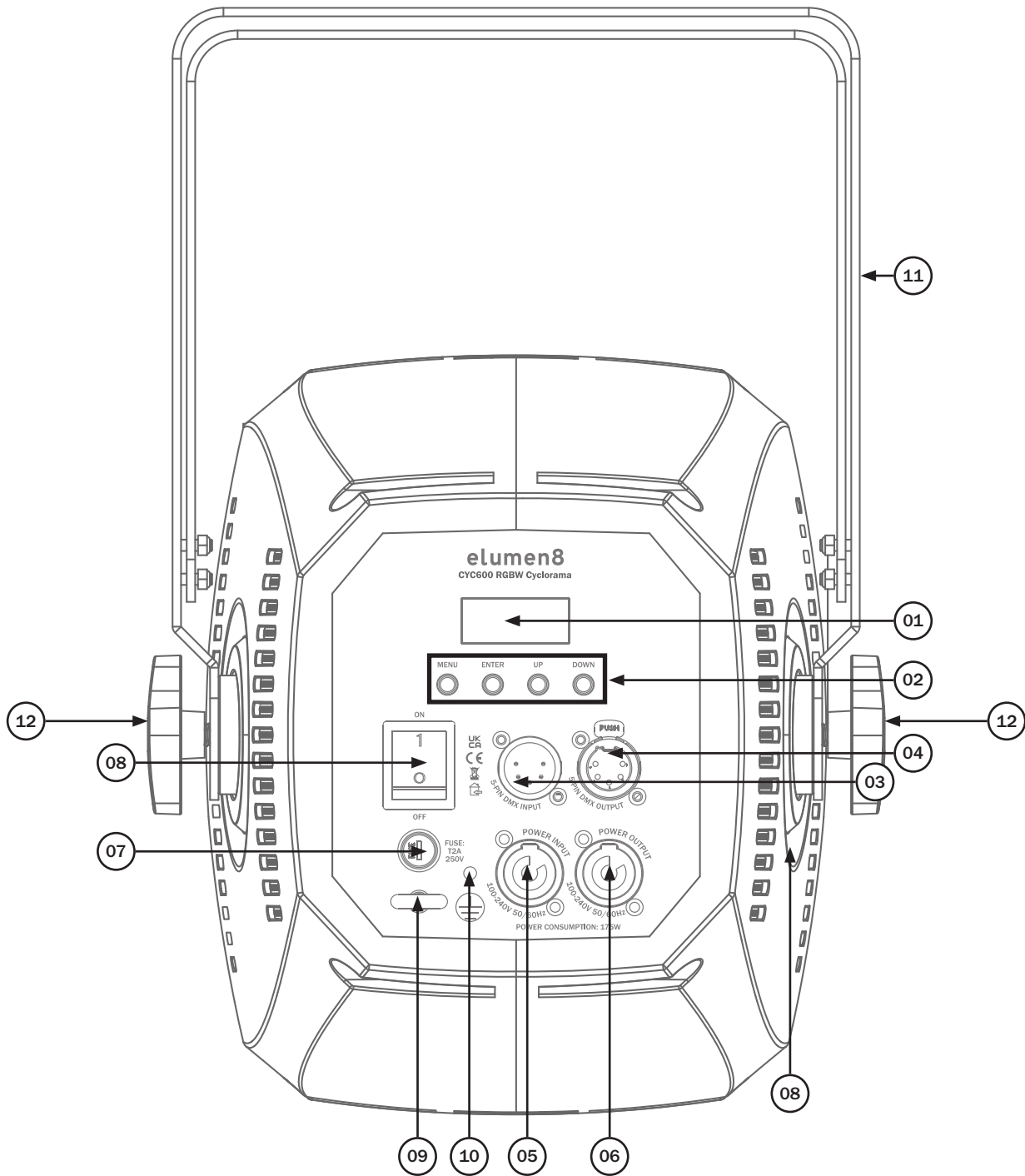
- 150W quad-colour COB LED (RGBW)
- Beam angle: 90° x 113°
- 1,257 Lux @ 2m
- 4.2kHz refresh rate
- DMX channels: 4 or 9 selectable
- Stand alone operation including manual RGBW colour mix, 32 preset colour macros and 7 programs
- 0 - 100% 16 bit dimming and variable strobe
- 4 dimming curves with two dimming response times: Linear, square law, inverse square law and S-curve
- Bracket allows for multiple rigging or floor standing applications
- 4 push button menu with LCD display
- PowerCON input/output
- 5-Pin XLR input/output
- Eight leaf barn doors with integral gel frame
- Temperature controlled fan



Specifications	CYC600 RGBW
Power consumption	175W
Fuse	T2A 250V
Power supply	100~240V, 50/60Hz
Dimensions	390 x 270 x 278mm
Weight	5kg
Order code	ELUM122







- 01 - OLED display
- 02 - Function buttons
- 03 - 5-Pin DMX input
- 04 - 5-Pin DMX output

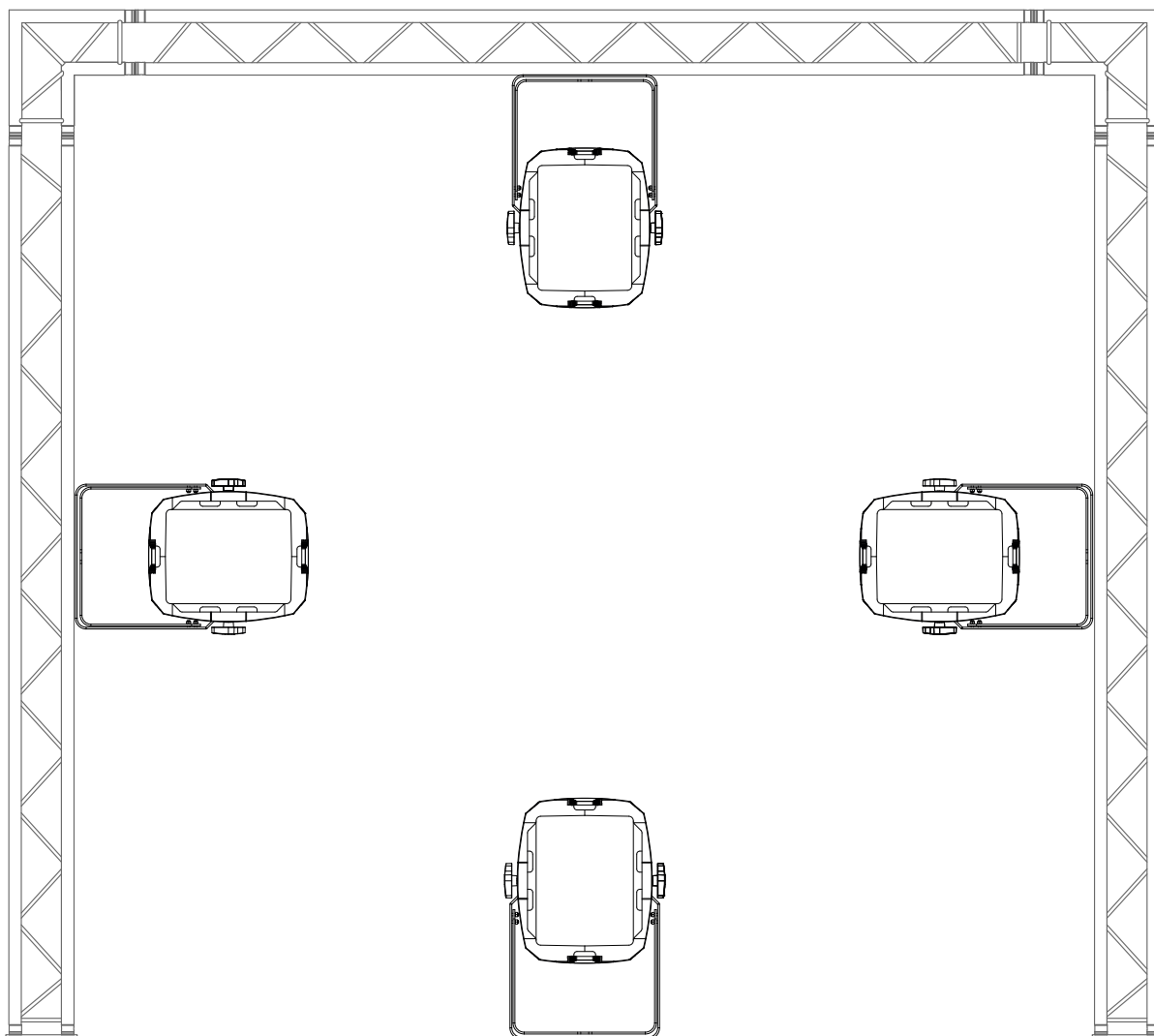
- 05 - PowerCON input
- 06 - PowerCON output
- 07 - Fuse T2A 250V
- 08 - On/off switch

- 09 - Safety eye
- 10 - Earth point
- 11 - Hanging bracket
- 12 - Hanging bracket adjustment knobs

In the box: **1 x fixture,**
1 x barn door
& 1 x power cable

Before installing the fixture, the supporting structure (ie. truss) must be able to hold a minimum of 10 times the fixtures weight without any deformation (eg. 15kg - 150kg point load). The fixture must be secured with a secondary safety attachment when being installed (ie. an appropriate safety cable). Never stand directly below the fixture when mounting, removing, and/or servicing.

Overhead installation requires experience and qualifications to calculate working load limits, the material being used at the installation area and periodic safety inspections of the fixture and installation material. If you do not have the relevant experience and/or qualifications please do not attempt the installation yourself. The installation should be checked annually by a qualified person.



The eLumen8 CYC600 RGBW 150W COB Cyclorama Wash can be operated in a number of mounting positions as shown in the diagram above, hanging upside-down from the ceiling or truss, mounting sideways on truss or stood upright on a flat level surface. Always use a safety wire as an extra safety precaution to prevent damage/injury in the event a clamp fails (see the next page for clamp installation). Never use the carry handles for secondary attachments.

Control Panel Menu:

The OLED control panel situated on the front of the fixture allows the user to access the menu system to adjust the fixtures settings. When the unit has been powered on the display will show “**Version x.x**”.

The fixture will then return to its home screen. Pressing the “**MENU**” button once will take the user to the fixtures main menu. Using the “**UP**” and “**DOWN**” buttons you can then navigate between the different options in the main menu. Pressing the “**ENTER**” button on one of these options allows you to access the sub menu where you can use the “**UP**” and “**DOWN**” buttons to select option/value required.

Once the option/value has been selected press the “**ENTER**” button once more to confirm the setting.

To exit out of any of the above options, press and hold the “**MENU**” button.

Main Menu	Sub Menu	Options/Values (Default Settings in BOLD)		Description	
DMX	Address	001 -512		DMX Address Setting	
	Channel	4-CH 9-CH		DMX Channel Setting	
Stand Alone	Color Macro	Speed	1 -7	Colour Macros	
	Color Dimming	Red	000 -255		Manual Mode
		Green	000 -255		
		Blue	000 -255		
		White	000 -255		
		LEE	000 -255		
		Col Temp	000 -255		
		Strobe	000 -255		
		Dimmer	000 -255		
	Dim Fine	000 -255			
Static Color	Color 01 -32		Static Colour Mode		
Dimmer Curve	Curves 1 Linear			Dimming Curve Setting	
	Curves 2 Square				
	Curves 3 Inv Squa				
	Curves 4 S-Type				
Dimmer Speed	D-Speed Fast			Dimming Speed Setting	
	D-Speed Smooth				
Display Setting	Display Auto Off	Yes		Display Setting	
		No			
	Temp Unit	°C		Temperature Unit Setting	
°F					
Fixture Test	Auto Test			Auto Test	
Fixture Info	Use Time	xxxxxh		Fixture Run Time	
	Led Temp	xx °C		Fixture LED Temperature	
	Firmware Version	x.x		Firmware Version	
	RDM UID	09A5xxxxxxxx		RDM UID	
Factory Setting	No			Default Factory Settings	
	Yes				

DMX channel modes:

Channel		Value	Function
4 Channel	9 Channel		
1	1	000-255	Red dimmer (0-100%)
2	2	000-255	Green dimmer (0-100%)
3	3	000-255	Blue dimmer (0-100%)
4	4	000-255	White dimmer (0-100%)
-	5	000	Not function
		001-006	Colour Macro 1
		007-013	Colour Macro 2
		014-020	Colour Macro 3
		021-027	Colour Macro 4
		028-034	Colour Macro 5
		035-041	Colour Macro 6
		042-048	Colour Macro 7
		049-055	Colour Macro 8
		056-062	Colour Macro 9
		063-069	Colour Macro 10
		070-076	Colour Macro 11
		077-083	Colour Macro 12
		084-090	Colour Macro 13
		091-097	Colour Macro 14
		098-104	Colour Macro 15
		105-111	Colour Macro 16
		112-118	Colour Macro 17
		119-125	Colour Macro 18
		126-132	Colour Macro 19
		133-139	Colour Macro 20
		140-146	Colour Macro 21
		147-153	Colour Macro 22
		154-160	Colour Macro 23
		161-167	Colour Macro 24
		168-174	Colour Macro 25
		175-181	Colour Macro 26
		182-188	Colour Macro 27
		189-195	Colour Macro 28
		196-202	Colour Macro 29
		203-209	Colour Macro 30
		210-216	Colour Macro 31
		217-223	Colour Macro 32
224-225	Colour Macro 33		

DMX channel modes:

Channel		Value	Function
4 Channel	9 Channel		
-	6	000-015	No Function
		016-255	Colour Temperature (2500K-7500K)
-	7	000-007	No Function
		008-015	Open
		016-131	Strobe (slow-fast)
		132-139	Open
		140-181	Strobe (fast close, slow open)
		182-189	Open
		190-231	Strobe (fast open, slow close)
		232-239	Open
		240-247	Random Strobe
		248-255	Open
-	8	000-255	Master dimmer (0-100%)
-	9	000-255	Dimmer fine (0-100%)

Colour Macros					
Values	Colour Macros	R	G	B	W
001-006	Colour Macro 1	255	40	0	55
007-013	Colour Macro 2	255	20	0	70
014-020	Colour Macro 3	255	0	0	20
021-027	Colour Macro 4	255	0	0	0
028-034	Colour Macro 5	255	0	55	10
035-041	Colour Macro 6	5	0	255	15
042-048	Colour Macro 7	0	20	255	10
049-055	Colour Macro 8	10	0	255	0
056-062	Colour Macro 9	5	0	255	0
063-069	Colour Macro 10	0	0	255	0
070-076	Colour Macro 11	0	25	255	0
077-083	Colour Macro 12	0	0	255	10
084-090	Colour Macro 13	0	30	255	20
091-097	Colour Macro 14	0	110	255	20
098-104	Colour Macro 15	0	100	255	80
105-111	Colour Macro 16	0	165	255	130
112-118	Colour Macro 17	0	115	255	10
119-125	Colour Macro 18	0	50	255	0
126-132	Colour Macro 19	0	128	128	0
133-139	Colour Macro 20	0	255	0	0
140-146	Colour Macro 21	0	255	0	0
147-153	Colour Macro 22	0	255	5	0
154-160	Colour Macro 23	0	255	0	25
161-167	Colour Macro 24	10	255	120	10
168-174	Colour Macro 25	25	255	0	10
175-181	Colour Macro 26	100	255	0	0
182-188	Colour Macro 27	255	160	0	0
189-195	Colour Macro 28	255	120	0	0
196-202	Colour Macro 29	255	80	0	0
203-209	Colour Macro 30	255	60	0	0
210-216	Colour Macro 31	255	40	0	0
217-223	Colour Macro 32	255	20	0	0
224-225	Colour Macro 33	255	0	0	0

Setting the DMX address:

The DMX mode enables the use of a universal DMX controller. Each fixture requires a “start address” from 1- 512. A fixture requiring one or more channels for control begins to read the data on the channel indicated by the start address. For example, a fixture that occupies or uses 7 channels of DMX and was addressed to start on DMX channel 100, would read data from channels: 100, 101, 102, 103, 104, 105 and 106. Choose a start address so that the channels used do not overlap. E.g. the next unit in the chain starts at 107.

DMX 512:

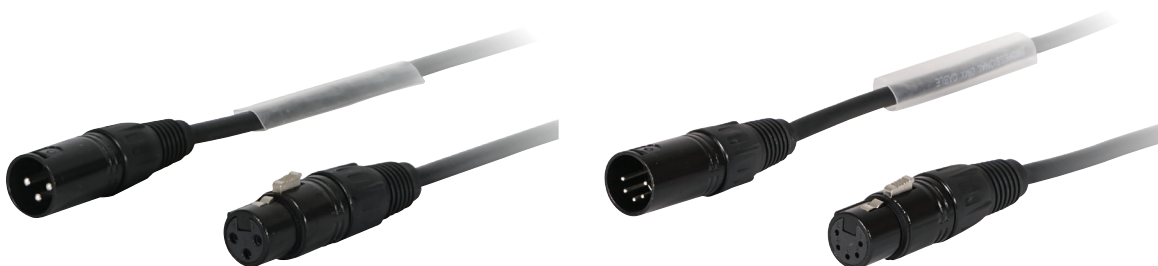
DMX (Digital Multiplex) is a universal protocol used as a form of communication between intelligent fixtures and controllers. A DMX controller sends DMX data instructions from the controller to the fixture. DMX data is sent as serial data that travels from fixture to fixture via the DATA “IN” and DATA “OUT” XLR terminals located on all DMX fixtures (most controllers only have a data “out” terminal).

DMX linking:

DMX is a language allowing all makes and models of different manufactures to be linked together and operate from a single controller, as long as all fixtures and the controller are DMX compliant. To ensure proper DMX data transmission, when using several DMX fixtures try to use the shortest cable path possible. The order in which fixtures are connected in a DMX line does not influence the DMX addressing. For example; a fixture assigned to a DMX address of 1 may be placed anywhere in a DMX line, at the beginning, at the end, or anywhere in the middle. When a fixture is assigned a DMX address of 1, the DMX controller knows to send DATA assigned to address 1 to that unit, no matter where it is located in the DMX chain.

DATA cable (DMX cable) requirements (for DMX operation):

This fixture can be controlled via DMX-512 protocol. The DMX address is set on the back of the unit. Your unit requires either a standard 3-pin or 5-pin XLR connector for data input/output, see images below.



Further DMX cables can be purchased from all good sound and lighting suppliers or Prolight Concepts dealers.

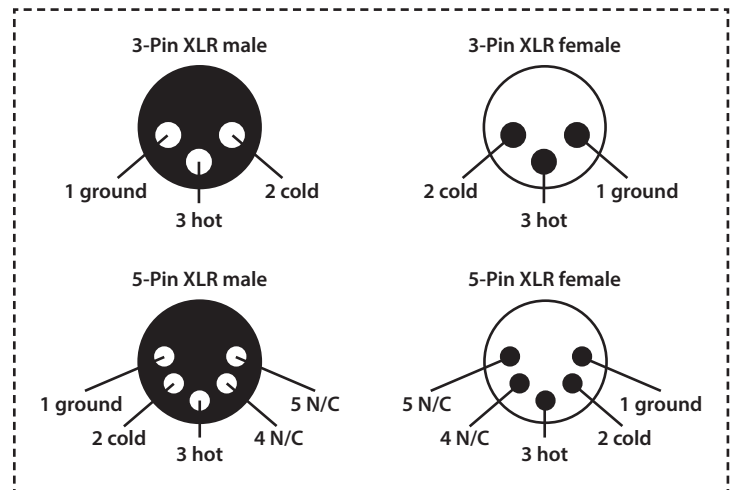
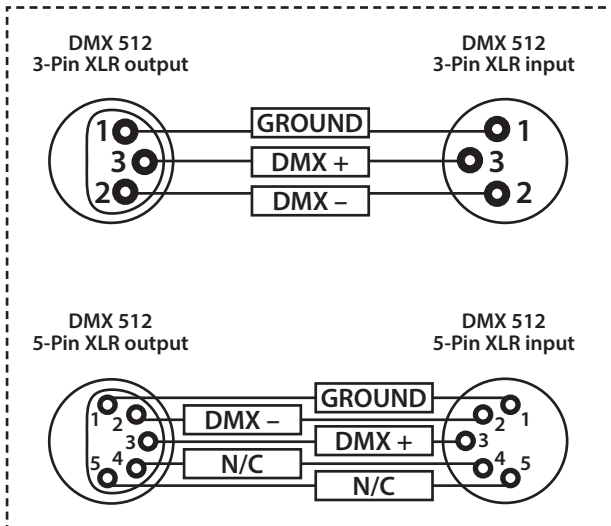
Please quote:	3-Pin:	CABL10 - 2m	CABL11 - 5m	CABL12 - 10m
	5-Pin:	CABL185 - 2m	CABL187 - 5m	CABL188 - 10m

Also remember that DMX cable must be daisy chained and cannot be split.

Notice:

Be sure to follow the diagrams below when making your own cables. Do not connect the cables shield conductor to the ground lug or allow the shield conductor to come in contact with the XLRs outer casing. Grounding the shield could cause a short circuit and erratic behaviour.

Pin Configuration	
3-Pin	5-Pin
	Pin 1 - Ground
	Pin 2 - Negative
	Pin 3 - Positive
-	Pin 4 - N/C
-	Pin 5 - N/C

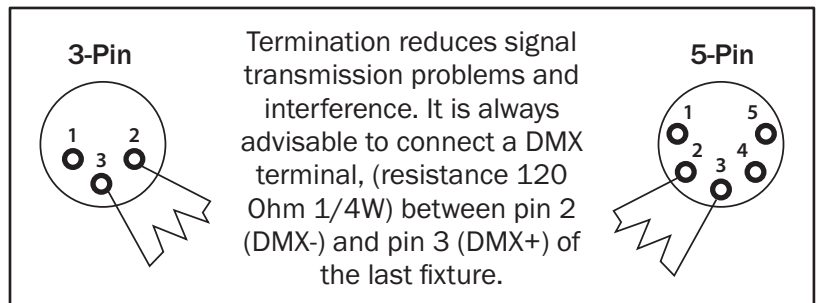


Line termination:

When longer runs of cable are used, you may need to use a terminator on the last unit to avoid erratic behaviour.

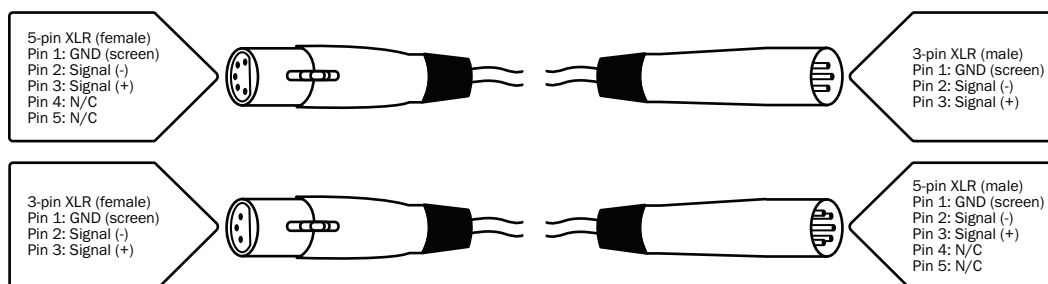
Using a cable terminator will decrease the possibilities of erratic behaviour.

(3-pin - Order ref: CABL90,
5-pin - Order ref: CABL89)



5-pin XLR DMX connectors:

Some manufactures use 5-pin XLR connectors for data transmission in place of 3-pin. 5-pin XLR fixtures may be implemented in a 3-pin XLR DMX line. When inserting standard 5-pin XLR connectors in to a 3-pin line a cable adaptor must be used. The diagram below details the correct cable conversion.





***Correct Disposal of this Product
(Waste Electrical & Electronic Equipment)***

**(Applicable in the European Union and other European countries
with separate collection systems)**

This marking shown on the product or its literature, indicates that it should not be disposed with other household wastes at the end of its working life. To prevent possible harm to the environment or human health from uncontrolled waste disposal, please separate this from other types of wastes and recycle it responsibly to promote the sustainable reuse of material resources.

Household users should contact either the retailer where they purchased this product, or their local government office, for details of where and how they can take this item for environmentally safe recycling.

Business users should contact their supplier and check the terms and conditions of the purchase contract. This product should not be mixed with other commercial wastes for disposal.

