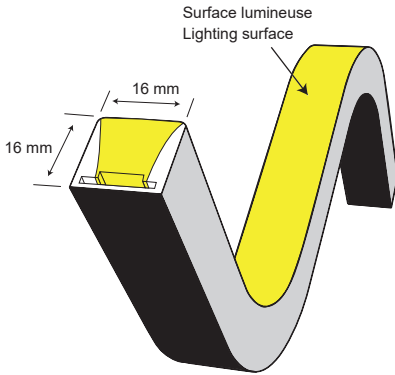


Accounting with the different ribbons

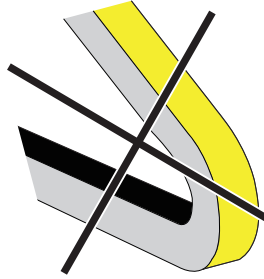
TubeTAPE-Atop

16 x 16 mm silicone tube for 10 to 12 mm ribbons

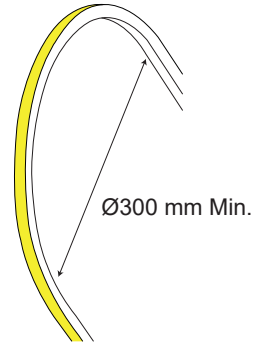
H11346



Vertical bending



Excessive bending



Maximum bending

Installation accessories



TubeCAP-A1

TubeCAP-A2

TubeCAP-A3

TubePROFIL-A

TubeCLIPS-A

Compatible ribbons

SMARTTAPE3020-5 / H11254
SMARTTAPE6020-5 / H11253
SMARTTAPE3020 / H10596
SMARTTAPE6020-24 / H11255
COLORTAPE6020 / H10541
UVTAPE6020 / H10771

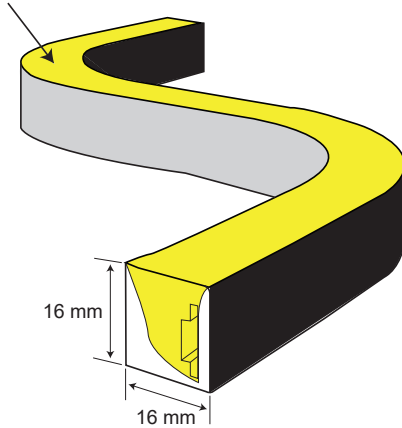
PURETAPECOB528-COLD / H11252
PURETAPE6020-COLD / H10537
PURETAPECOB528-WARM / H11251
PURETAPE6020-WARM / H10535
PURETAPE12020-WARMCOLD / H10539
COLORTAPE6020-WARM / H10542 <i>It is the only 12 mm tape compatible with the TubeTAPE-Atop</i>

TubeTAPE-Aside

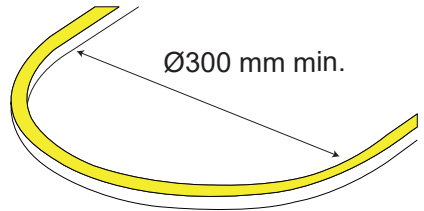
16 x 16 mm silicone tube for 10 mm ribbons

H11347

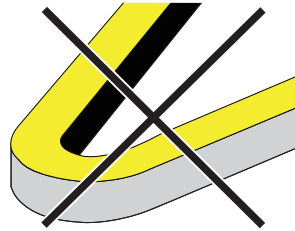
Surface lumineuse
Lighting surface



Horizontal bending

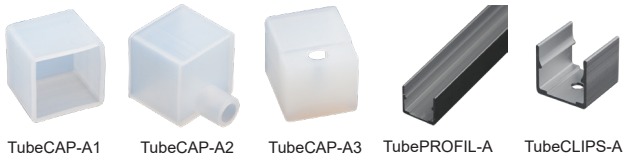


Maximum bending



Excessive bending

Installation accessories



TubeCAP-A1

TubeCAP-A2

TubeCAP-A3

TubePROFIL-A

TubeCLIPS-A

Compatible ribbons

SMARTTAPE3020-5 / H11254

SMARTTAPE6020-5 / H11253

SMARTTAPE3020 / H10596

SMARTTAPE6020-24 / H11255

COLORTAPE6020 / H10541

UVTAPE6020 / H10771

PURETAPECOB528-COLD / H11252

PURETAPE6020-COLD / H10537

PURETAPECOB528-WARM / H11251

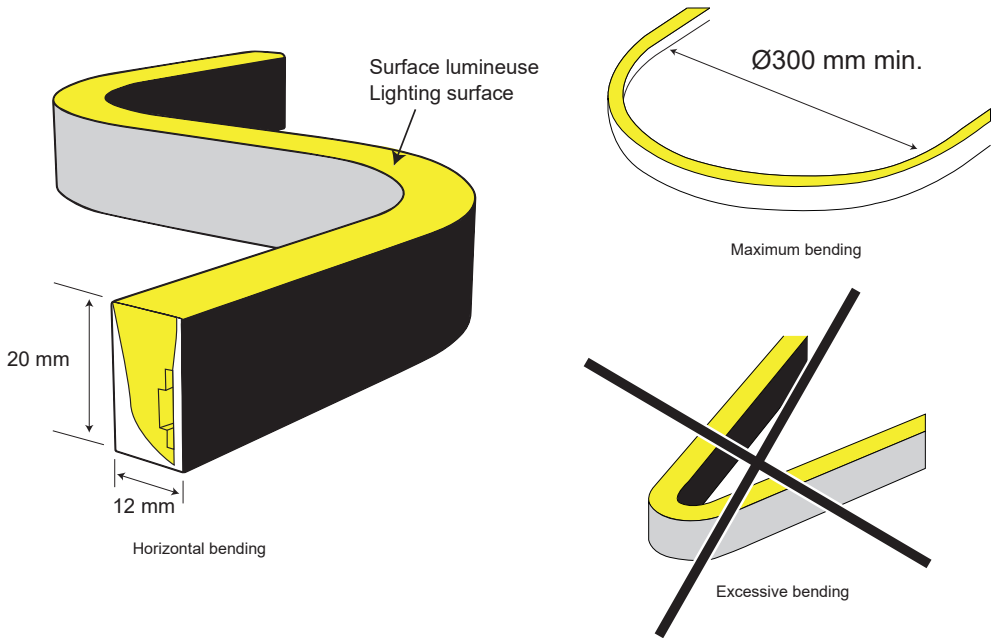
PURETAPE6020-WARM / H10535

PURETAPE12020-WARMCOLD / H10539

TubeTAPe B

12 x 20 mm silicone tube for 10 mm ribbons

H11353



Installation accessories



TubeCAP-BC1



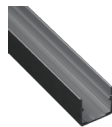
TubeCAP-BC2



TubeCAP-BC3



TubeCAP-BC4



TubePROFIL-B



TubeCLIP-B

Compatible ribbons

SMARTTAPE3020-5 / H11254

SMARTTAPE6020-5 / H11253

SMARTTAPE3020 / H10596

SMARTTAPE6020-24 / H11255

COLORTAPE6020 / H10541

UVTAPE6020 / H10771

PURETAPECOB528-COLD / H11252

PURETAPE6020-COLD / H10537

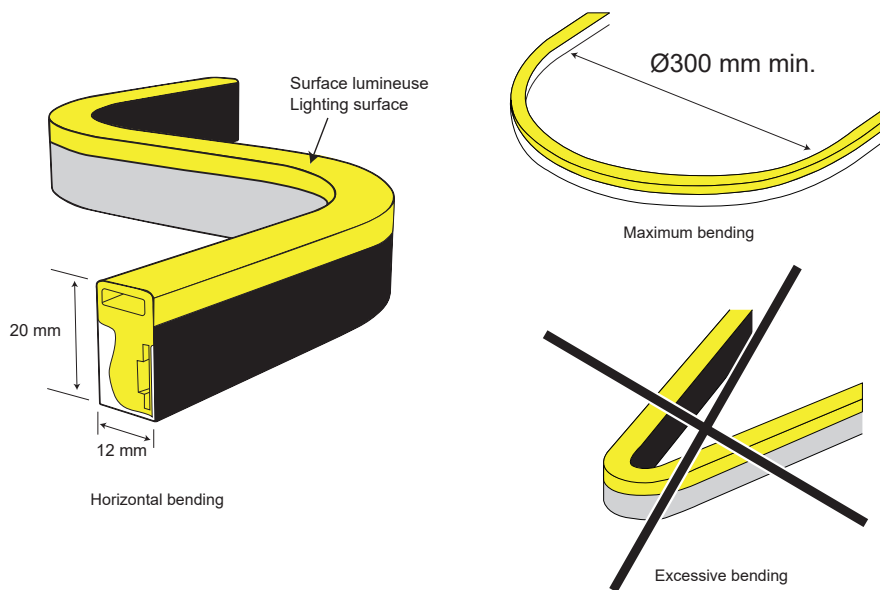
PURETAPECOB528-WARM / H11251

PURETAPE6020-WARM / H10535

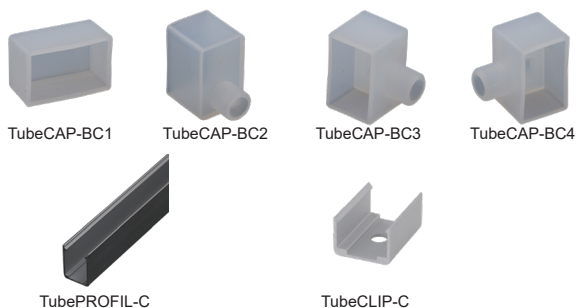
PURETAPE12020-WARMCOLD / H10539

TubeTAPE-C

12 x 20 mm 3 sides Silicone tube for 10 mm tapes
H11353



Installation accessories



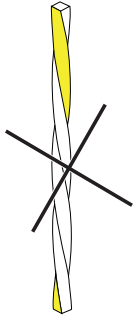
Compatible ribbons

SMARTTAPE3020-5 / H11254
SMARTTAPE6020-5 / H11253
SMARTTAPE3020 / H10596
SMARTTAPE6020-24 / H11255
COLORTAPE6020 / H10541
UVTAPE6020 / H10771

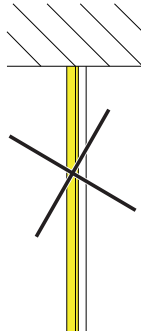
PURETAPECOB528-COLD / H11252
PURETAPE6020-COLD / H10537
PURETAPECOB528-WARM / H11251
PURETAPE6020-WARM / H10535
PURETAPE12020-WARMCOLD / H10539

Installation precautions

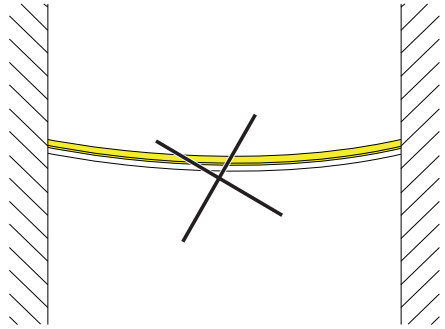
TUBETAPE tubes must always be used with the installation accessories of the range



Do not twist



Do not hang

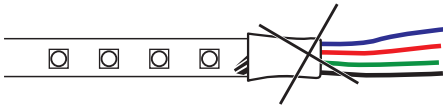


Do not droop

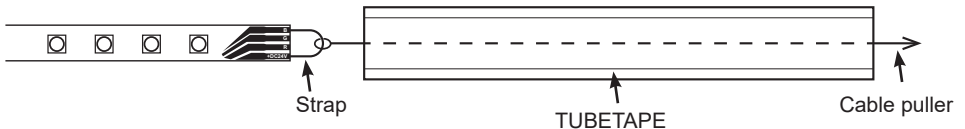
It is recommended to always check the proper functioning of a tape before its installation (in aluminium profile or TUBETAPE)

Steps for using a TUBETAPE

- 1 - Prepare the length of TUBETAPE to be installed
- 2 - Place the clips or profile on the support receiving the TUBETAPE (plan the fixings adapted to the support)
Make sure to respect the radius of bending in order not to damage the tape
- 3 - Unroll the correct length of tube tape on a clean, flat surface
- 4 - Prepare the Flex led to be installed: IP20 only, maximum width 10mm (except for the TubeTAPE-Atop which accepts 12mm ribbon widths).
IMPORTANT : Remove the pre-assembled cables and the thermal insulation from the tape.



- 5 - Solder a strap on the PCB of the tape to fix the cable puller of the TUBETAPE



- 6 - Gently pull the puller of the TUBETAPE.
It is strongly advised to be 2 for this step.
One person must guide the ribbon carefully so as not to catch the leds on the entrance of the TUBETAPE.
The second person must pull the puller gently.
- 7 - Desolder the strap previously installed.
- 8 - Validate the correct working of the tape inside the TUBETAPE.
- 9 - Glue the caps with a one-component silicone mastic.
- 10 - Let dry.
- 11 - Install the TUBETAPE in the clips or profiles previously installed on the support.