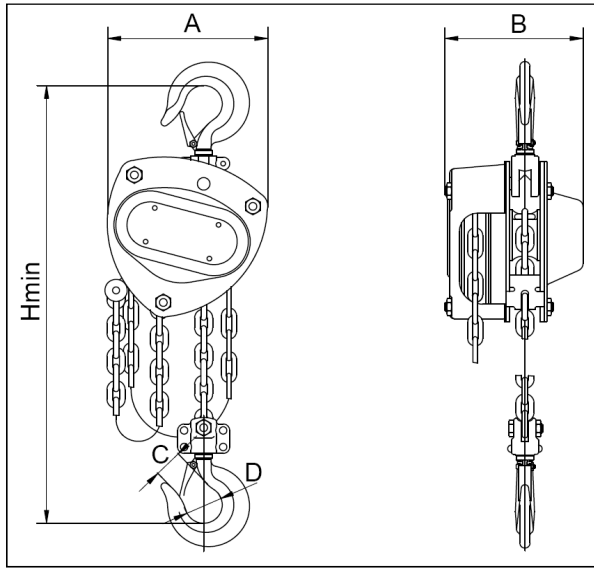
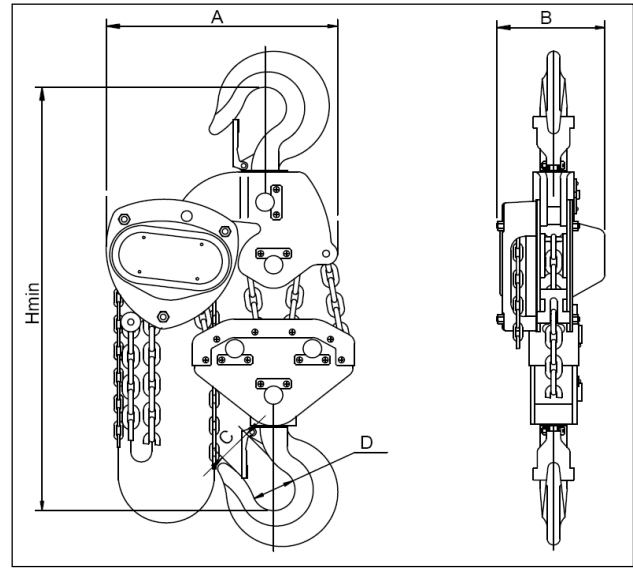


250 to 20000 kg



250 to 5000 kg



10000 to 20000 kg

Capacity	Falls	Load Chain size (mm)	Net weight (kg)	A (mm)	B (mm)	C (mm)	D (mm)	Hmin (mm)	Required pull force for full load (N)	Handchain overhaul to lift load 1m (m)
250 kg	1	5x15	10,7	146	138	28	35	350	125	30
500 kg	1	5x15	10,7	146	138	28	35	350	249	30
1000 kg	1	6,3x19	12,2	161	154	32	40	383	284	47
2000 kg	2	6,3x19	18,2	205	154	40	50	505	294	94
3000 kg	2	7,1x21	29	230	176	44	55	565	343	135
5000 kg	2	9x27	41	250	189	48	65	688	372	127,5
10000 kg	4	9x27	78,5	460	189	54	85	765	382	255
20000 kg	8	9x27	190	850	200	80	106	950	382	510

	Material
Hoist frame	S355J2
Load chain	Grade 80
Hand chain	Carbon Steel
Hook	20Cr4

	Grease
Gear box	Brugarolas SINCART M00
Chain	Brugarolas BESLUX CAMIN 150WR / Gearsint 68

Options:

- Zinc plated or stainless steel chain
- Intermediate load capacities
- Overload protection: friction limiter (optional)
- Special environments: anticorrosion protections, alimentary sector, ATEX