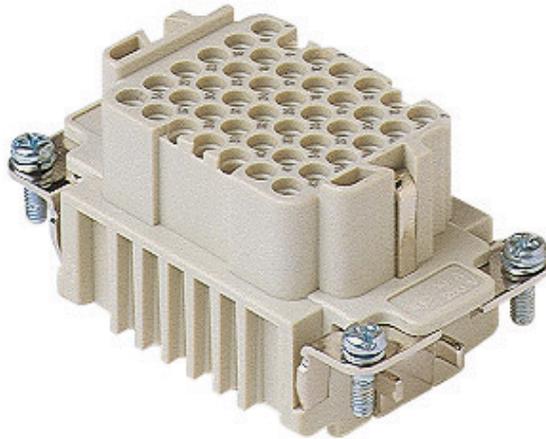


Part number

CDDF 42



Female insert, CDD series, crimp connection, 42 poles + PE, 10 A 250 V 4 kV 2, size "57.27"

Product description		Material properties	
Product type	Insert	Main material	Polycarbonate (PC)
Series	CDD	Colour	RAL 7032 grey
Connection type	Crimp connection	RoHs conformity	Compliant
Gender	Female	China RoHs - EFUP	E
N. of poles	42 poles + 	REACH SVHC substances	No
Size	Size "57.27"		
Technical data		Approvals / Standards	
Current	10 A	Reference standard	EN 61984:2009-06
Voltage	250 V	Certifications	CSAc, CQC, DNV-GL, BV, EAC
Rated impulse withstand voltage	4 kV	UL	ECBT2
Pollution degree	2	cUL	ECBT8
Rated voltage according to UL/CSA	600 V		
IP degree of protection	IP20 without enclosure, IP65/IP66/IP68/IP69 with enclosure	General ordering information	
Further technical details		EAN13 code	8015747013772
Characteristics according to EN 61984	10A 250V 4kV 2	eCl@ss 8.1	27440205
Mating cycles	≥ 500	ETIM 7.0	EC000438
Insulation resistance	≥ 10 GΩ		
Contact resistance	≤ 3 mΩ	Packaging Information	
Weight	50,00 g	Packaging length	210,00 mm
Operating temperature range (min, max)	-40 °C ... +125 °C	Packaging height	75,00 mm
UL 94 flammability rating	V-0	Packaging width	180,00 mm
Tightening torque for PE connection	M4: 1,2 Nm, 10,6 lb.in (Ph2 or 1,0x5,5mm)	Packaging weight	1,19 kg
Tightening torque for fixing screws	M3: 0.5 Nm; 4.4 lb.in (Ph1 or 0.8x4 mm)	Packaging volume	2,84 dm ³
		Packaging description	Carton box
		Packaging quantity	30 Pcs
		Packaging EAN code	8015747013789
		Sub-packaging length	67,00 mm
		Sub-packaging height	36,00 mm
		Sub-packaging width	180,00 mm
		Sub-packaging weight	0,20 kg
		Sub-packaging volume	0,43 dm ³
		Sub-packaging description	Carton tray
		Sub-packaging quantity	5 Pcs
		Sub-packaging EAN barcode	8015747013796

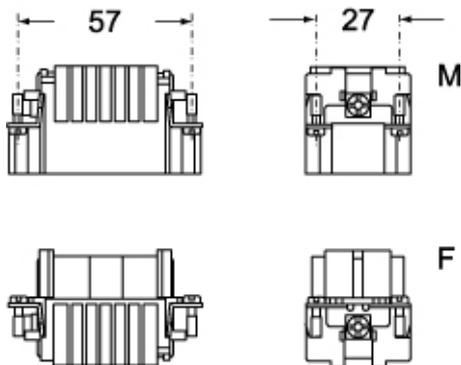
Part number

CDDF 42

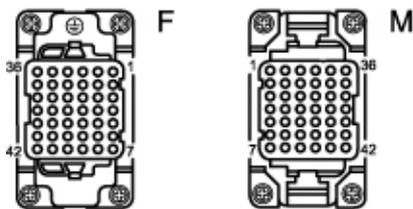


Catalogue drawings

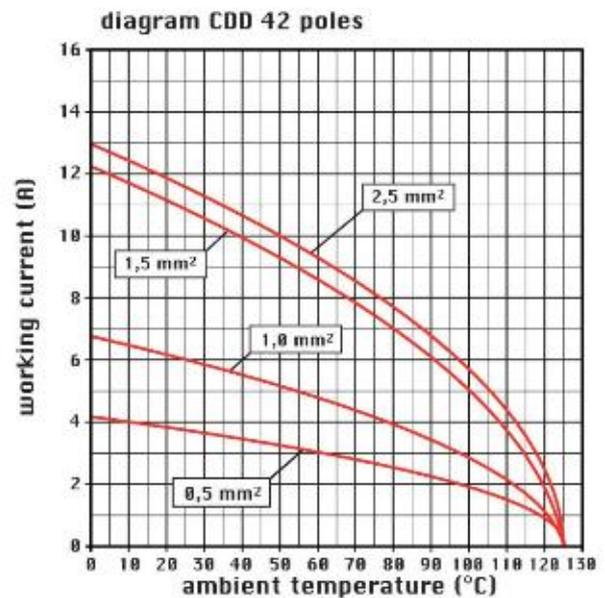
CDDM 42



CDDF 42



Catalogue drawings



Notes

California Proposition 65 Information



WARNING

This product can expose you to nickel compounds, known to the State of California to cause cancer and/or reproductive toxicity. For more information go to www.P65Warnings.ca.gov.