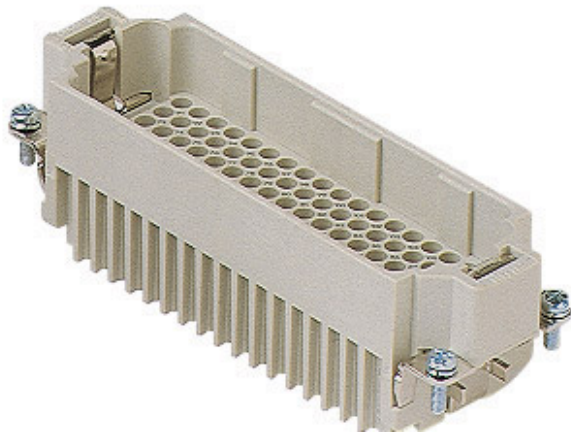


Part number

CDDM 108



Male insert, CDD series, crimp connection, 108 poles + PE, 10 A 250 V 4 kV 2, size "104.27"

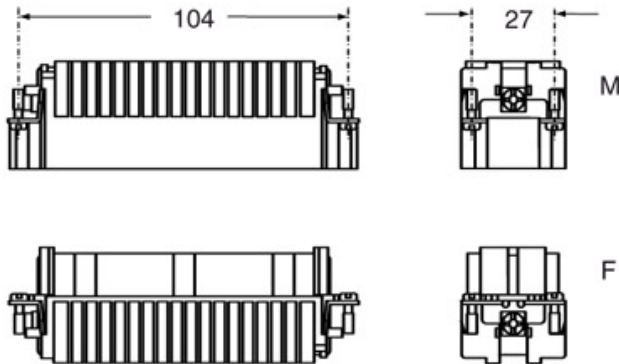
Product description		Material properties	
Product type	Insert	Main material	Polycarbonate (PC)
Series	CDD	Colour	RAL 7032 grey
Connection type	Crimp connection	RoHs conformity	Compliant
Gender	Male	China RoHs - EFUP	E
N. of poles	108 poles + \oplus	REACH SVHC substances	No
Size	Size "104.27"		
Technical data		Approvals / Standards	
Current	10 A	Reference standard	EN 61984:2009-06
Voltage	250 V	Certifications	CSAc, CQC, DNV-GL, BV, EAC
Rated impulse withstand voltage	4 kV	UL	ECBT2
Pollution degree	2	cUL	ECBT8
Rated voltage according to UL/CSA	600 V		
IP degree of protection	IP20 without enclosure, IP65/IP66/IP68/IP69 with enclosure	General ordering information	
Further technical details		EAN13 code	8015747013925
Characteristics according to EN 61984	10A 250V 4kV 2	eCl@ss 8.1	27440205
Mating cycles	≥ 500	ETIM 7.0	EC000438
Insulation resistance	$\geq 10 \text{ G}\Omega$	Packaging Information	
Contact resistance	$\leq 3 \text{ m}\Omega$	Packaging length	270,00 mm
Weight	73,00 g	Packaging height	75,00 mm
Operating temperature range (min, max)	-40 °C ... +125 °C	Packaging width	180,00 mm
UL 94 flammability rating	V-0	Packaging weight	2,52 kg
Tightening torque for PE connection	M4: 1,2 Nm, 10,6 lb.in (Ph2 or 1,0x5,5mm)	Packaging volume	3,65 dm ³
Tightening torque for fixing screws	M3: 0.5 Nm; 4.4 lb.in (Ph1 or 0.8x4 mm)	Packaging description	Carton box
		Packaging quantity	30 Pcs
		Packaging EAN code	8015747013932
		Sub-packaging length	113,00 mm
		Sub-packaging height	36,00 mm
		Sub-packaging width	180,00 mm
		Sub-packaging weight	0,42 kg
		Sub-packaging volume	0,73 dm ³
		Sub-packaging description	Carton tray
		Sub-packaging quantity	5 Pcs
		Sub-packaging EAN barcode	8015747013949

Part number

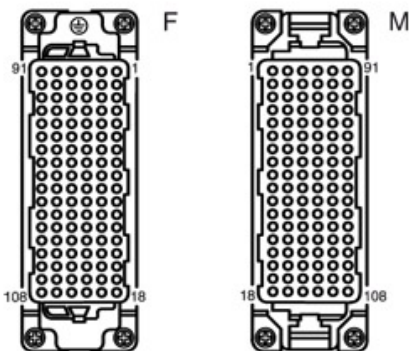
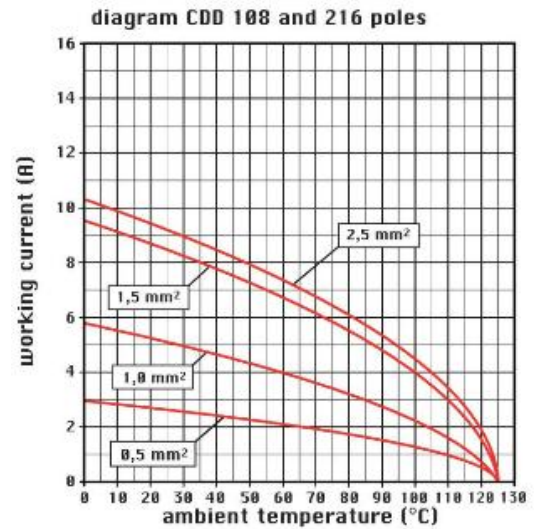
CDDM 108



Catalogue drawings



Catalogue drawings



Notes

California Proposition 65 Information



WARNING

This product can expose you to nickel compounds, known to the State of California to cause cancer and/or reproductive toxicity. For more information go to www.P65Warnings.ca.gov.