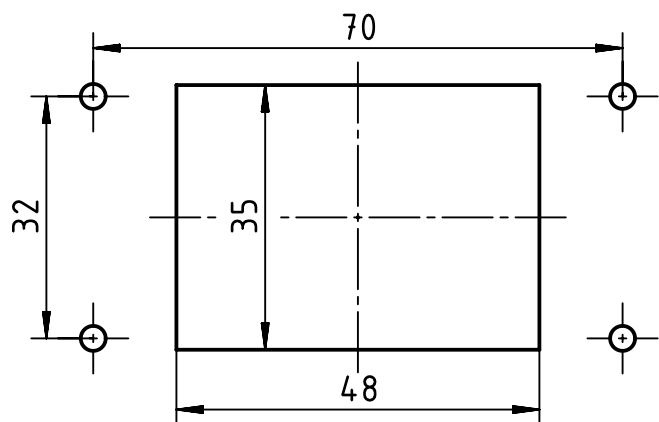



panel cut out



	All rights reserved Department EL PD	All Dimensions in mm Original Size DIN A4		Scale 1:1	Free size tol.	Ref.
		Created by SPRENB	Inspected by GERB	Standardisation 302077	Date 2020-11-13	State Final Release
HARTING Electric GmbH & Co. KG D-32339 Espelkamp		Title Han 6B-agg-LB			Doc-Key / ECM-Nr. 100179934/UGD/004/D 500000178137	
		Type TB	Number 09 30 006 0301		Rev. D	Page 1/1