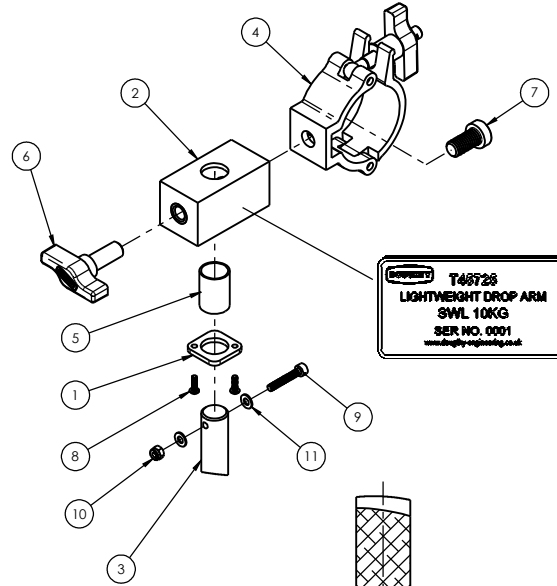
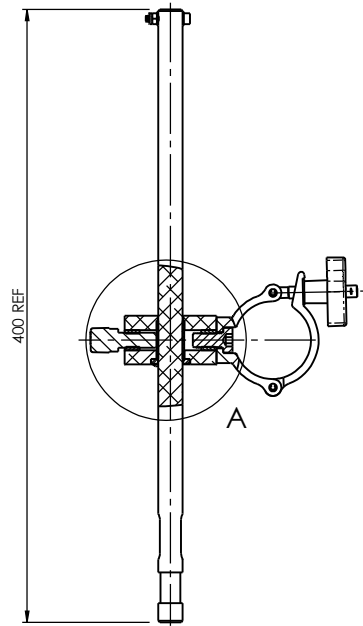


ALL DIMENSIONS IN MM

IF IN DOUBT ASK

A3 ORIGINAL



DOUGHTY ENGINEERING LTD



NOTES:

SWL 10 KG

NO ENGRAVING ON COUPLER LID

TOLERANCES:
UNLESS STATED OTHERWISE
.X = + OR - 0.50MM
.XX = + OR - 0.25MM
.XXX = + OR - 0.10MM
HOLES = + OR - 0.1MM
REMOVE ALL BURRS & SHARP EDGES

USED ON	N/A
DATE	04/02/2016
DRAWN	MJ
CHKD	AW
SCALE	1:2
MATERIAL	SEE BOM
FINISH	CLEAN
TITLE	LW UNIVERSAL DROP ARM
DWG NO	T45725 SHEET 1 OF 1

ITEM NO.	PART NUMBER	DESCRIPTION	QTY
1	TH3277	BEARING PLATE - UNIVERSAL DROP ARM	1
2	TH3275	LW UNIVERSAL DROP ARM SLIDER ASSEMBLY	1
3	TH3273	LW UNIVERSAL DROP ARM	1
4	T5812201 DROP ARM	SUPER LIGHTWEIGHT CLAMP - BLACK	1
5	S3411	IGLIDUR G PLAIN BEARING GSM-1618-25	1
6	S0168	M10 X 25 DOUGHTY KNOB MALE BLACK S/HD	1
7	F3026	M10 X 20 SKT CAP SCREW LOW HD BZP	1
8	F1148	M3 X 10 SKT BUTION HEAD SCREW BZP	2
9	F2936	M4 X 25 SKT CAP SCREW BZP	1
10	F854	M4 NYLOC NUT	1
11	F640	M4 'A' WASHER BZP	2

ISS	AMENDMENTS	DATE	SIG
2	CLAMP & KNOB NOW BLACK	11/04/2016	MJ
1	NEW DRAWING	04/02/2016	MJ