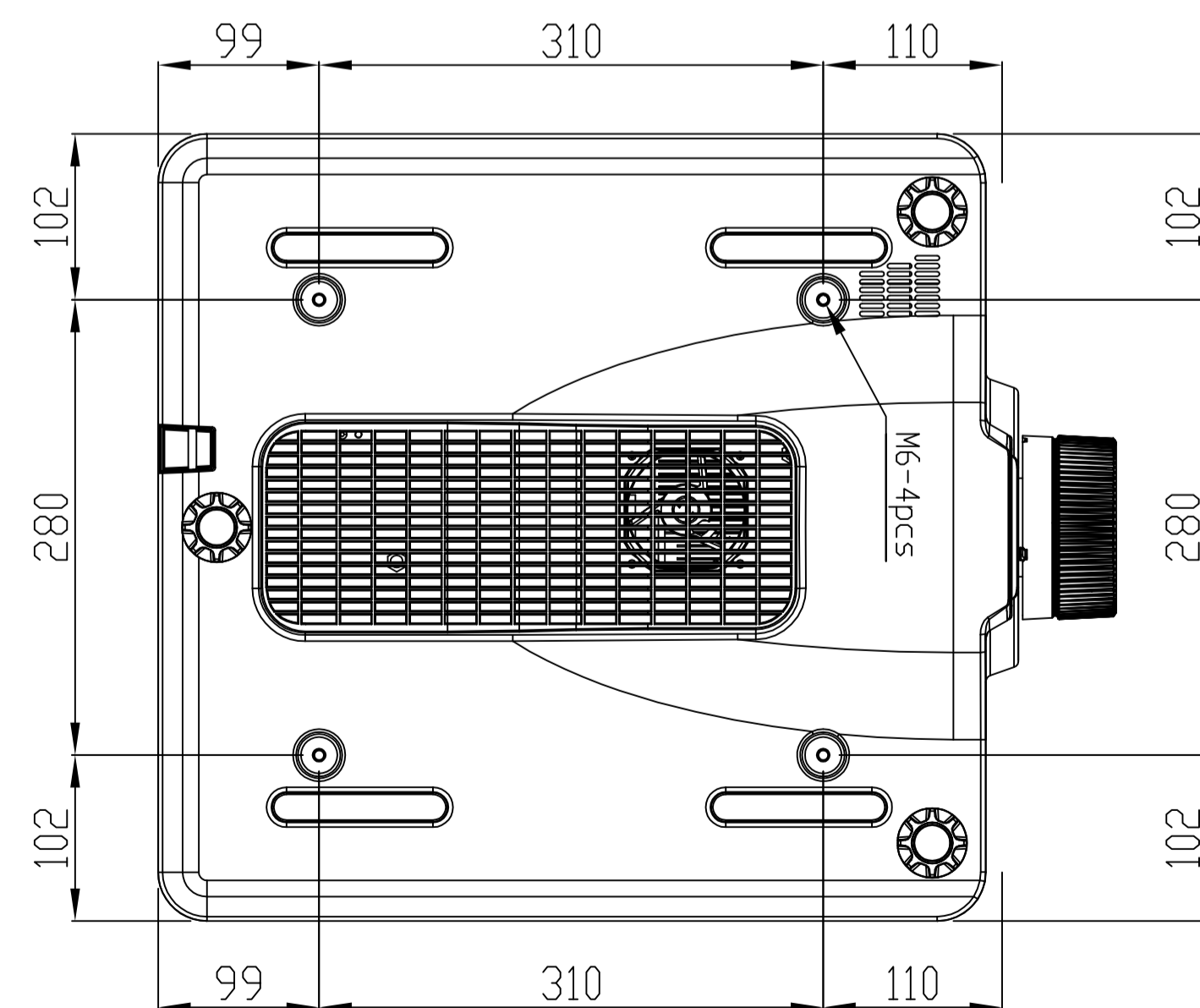
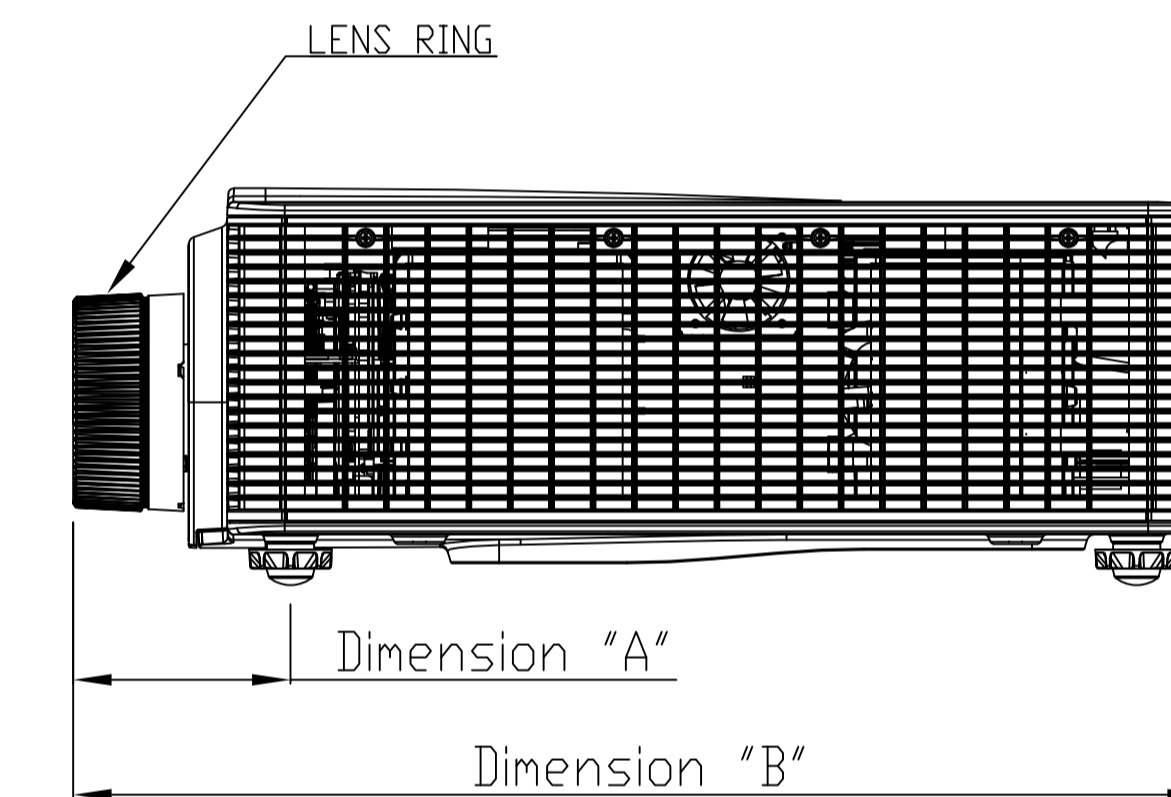
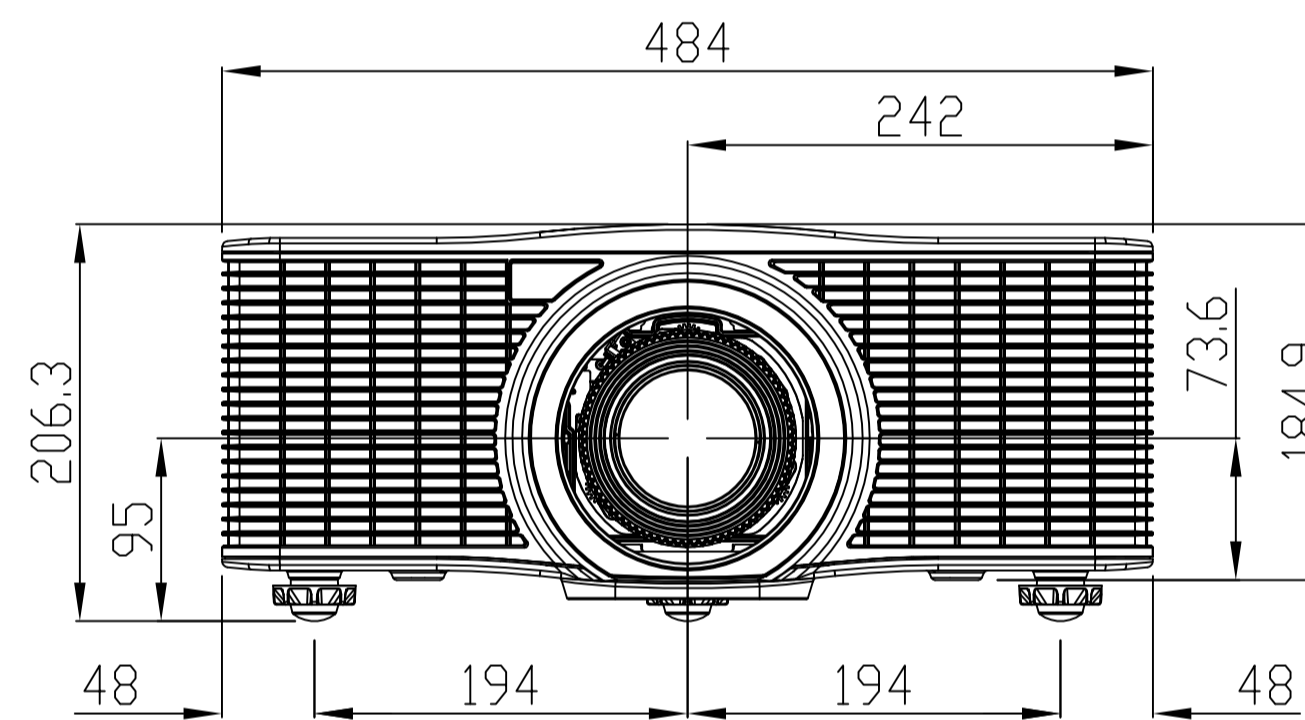
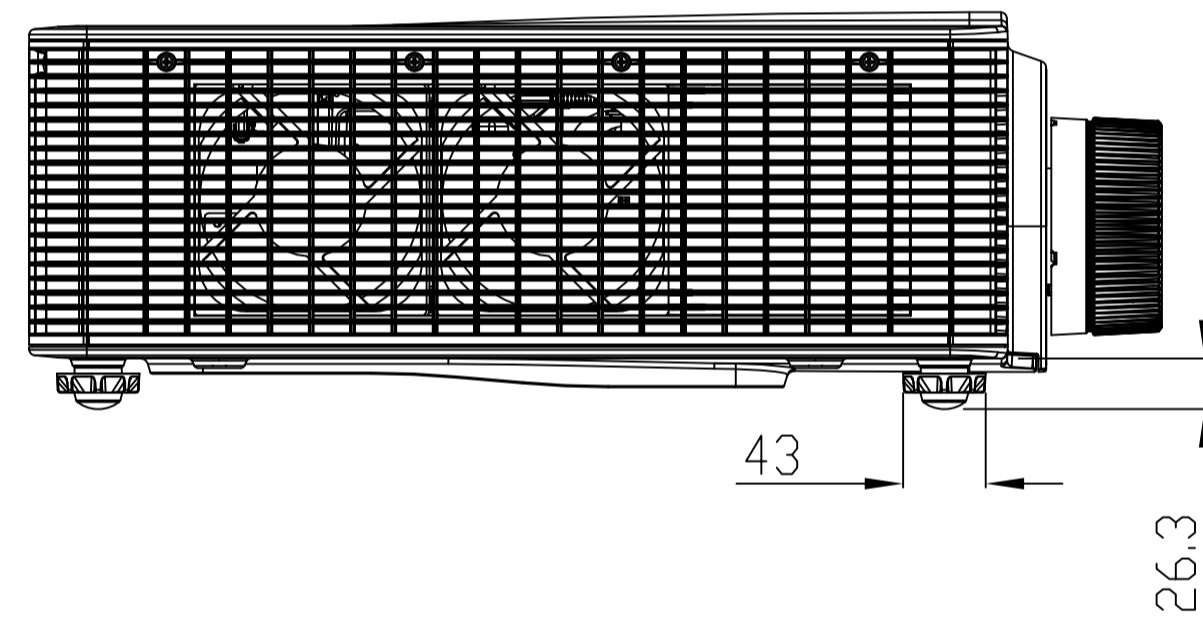
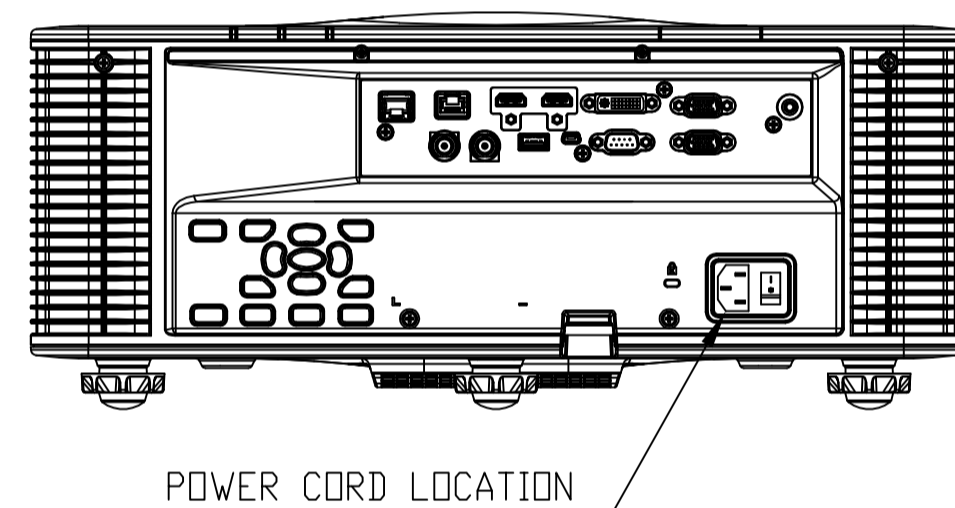
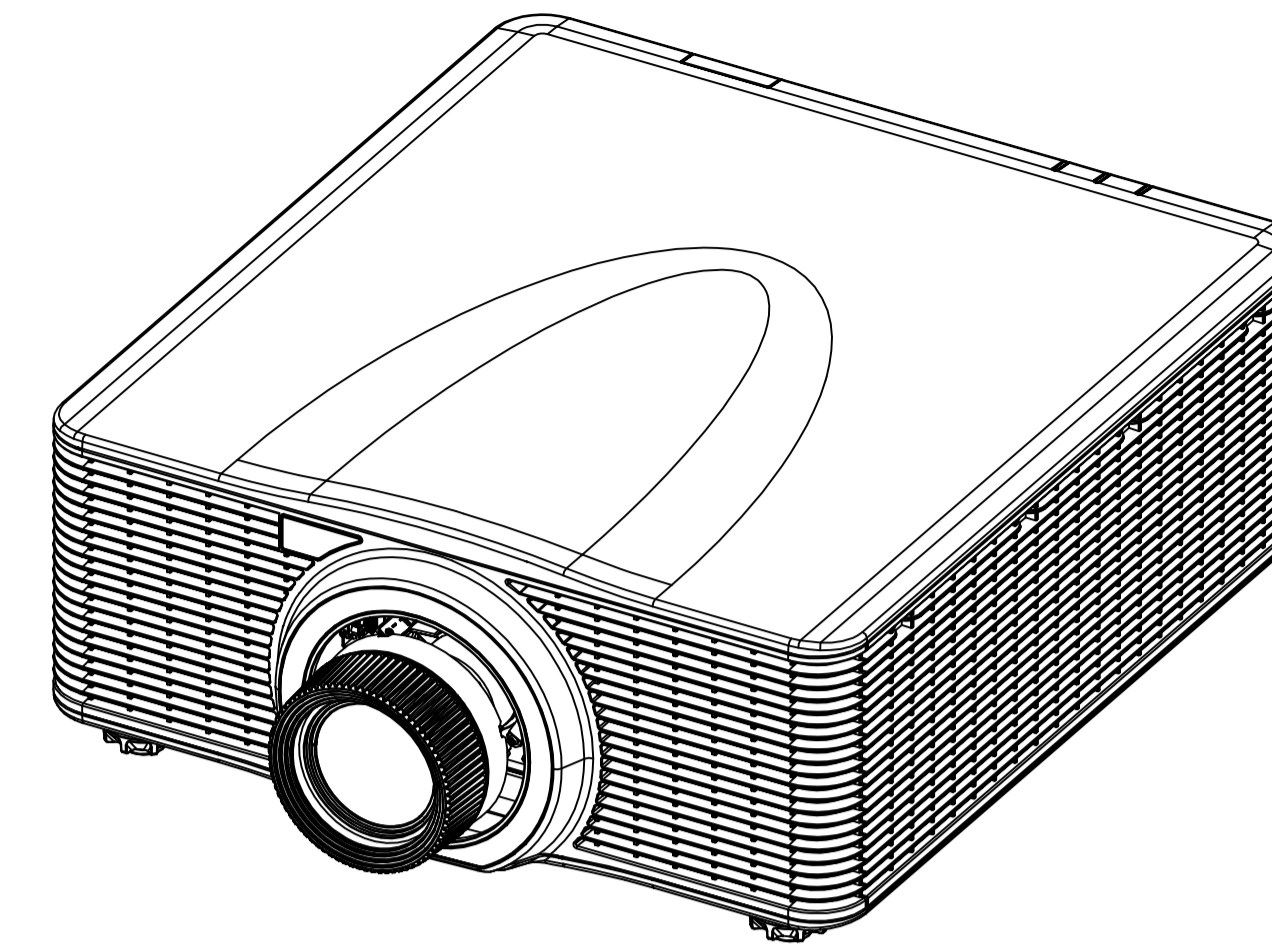
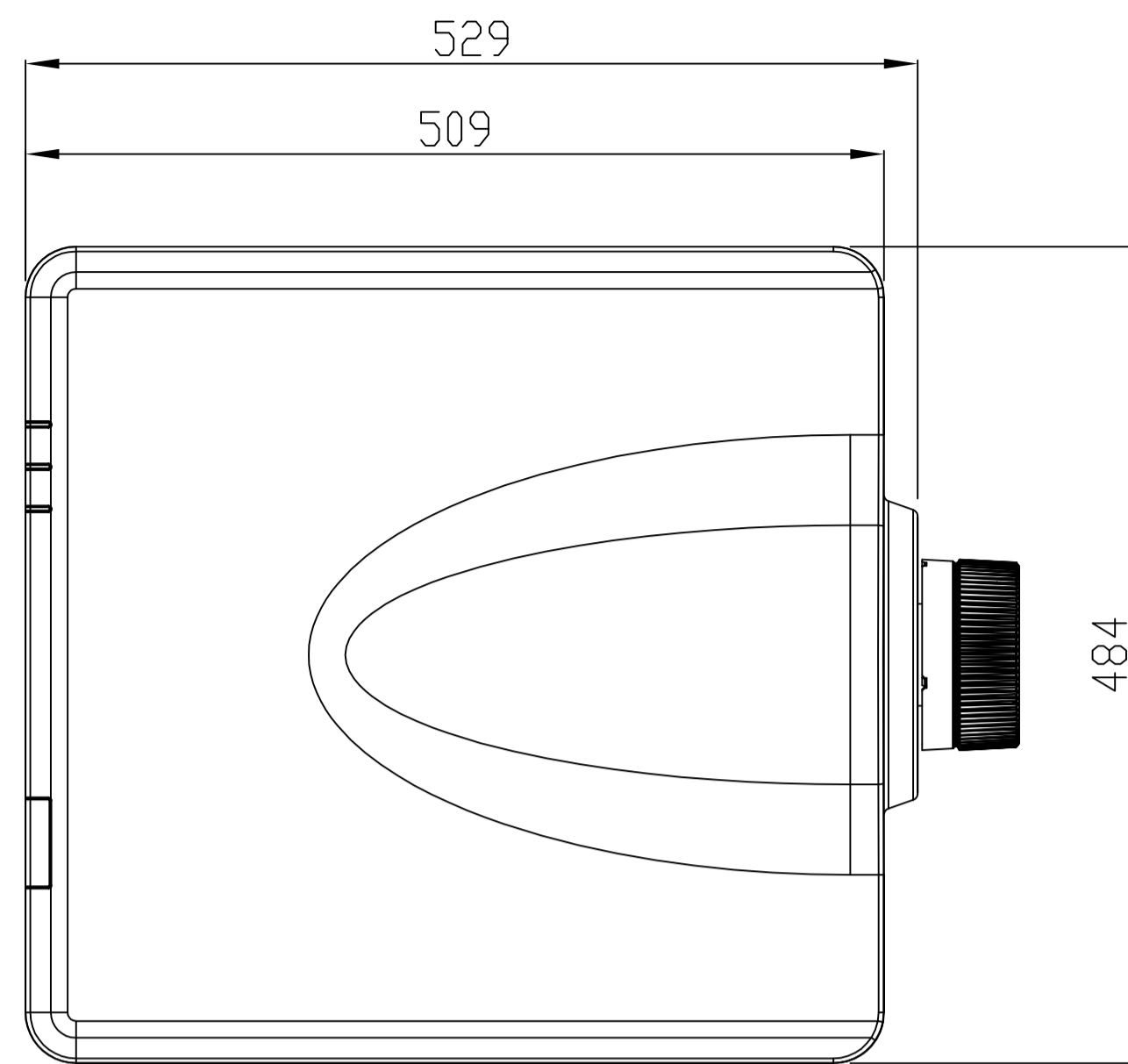


GENERAL NOTE
 MASS: 17.3 kg (without lens)
 OPERATING TEMPERATURE RANGE:
 5°C~40°C @ 0~2500FT
 5°C~35°C @ 2500~5000FT
 5°C~30°C @ 5000~10000FT
 INPUT :AC 100-240V~, 50/60 Hz, 7.0A

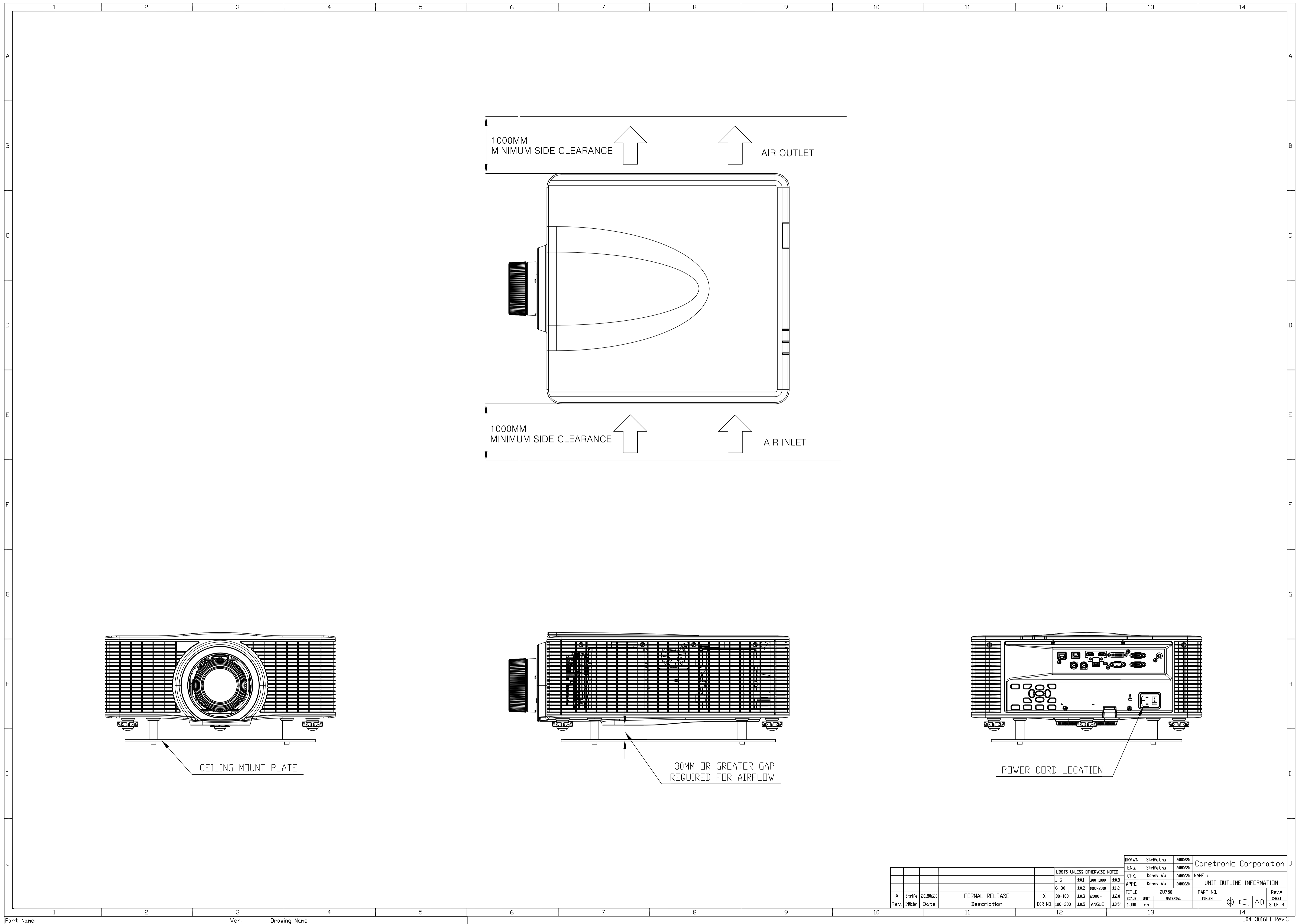
DRAWN		StrifeChu	20180620	Coretronic Corporation	
ENG.		StrifeChu	20180620	NAME :	
CHK.		Kenny Vu	20180620	UNIT OUTLINE INFORMATION	
APPD.		Kenny Vu	20180620	PART NO.	
TITLE		ZU750	PART NO.		RevA
SCALE		1:1	FINISH		SHEET
LIMIT		mm	FINISH		1 OF 4
Rev.		Author	Date	Description	ECR NO.
A		Strife	20180620	FORMAL RELEASE	X
LIMITS UNLESS OTHERWISE NOTED				30-100	±0.3
1-6		±0.1	300-1000	±0.8	±2.0
6-30		±0.2	1000-2000	±1.2	±2.0
100-300		±0.5	ANGLE	±0.5°	



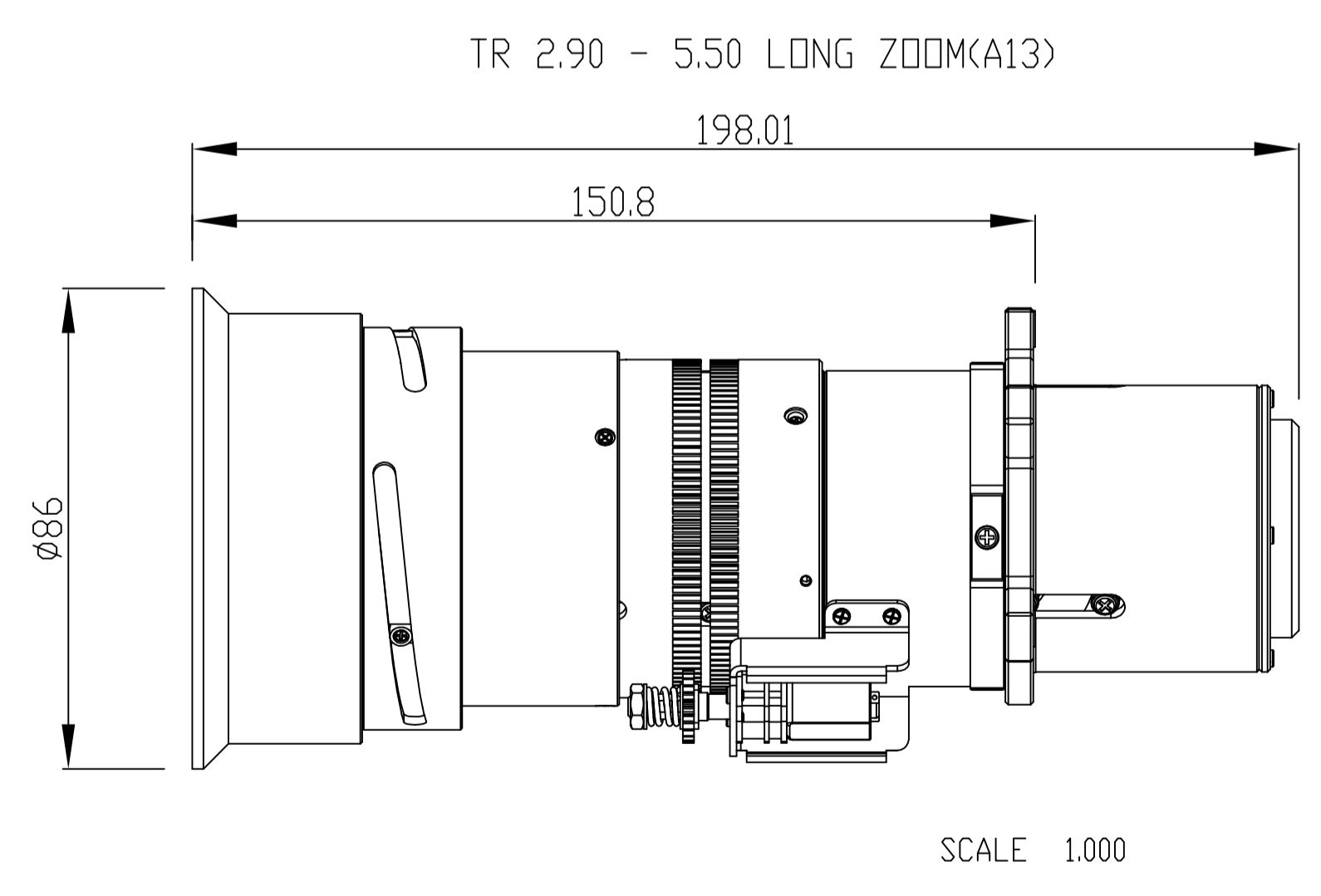
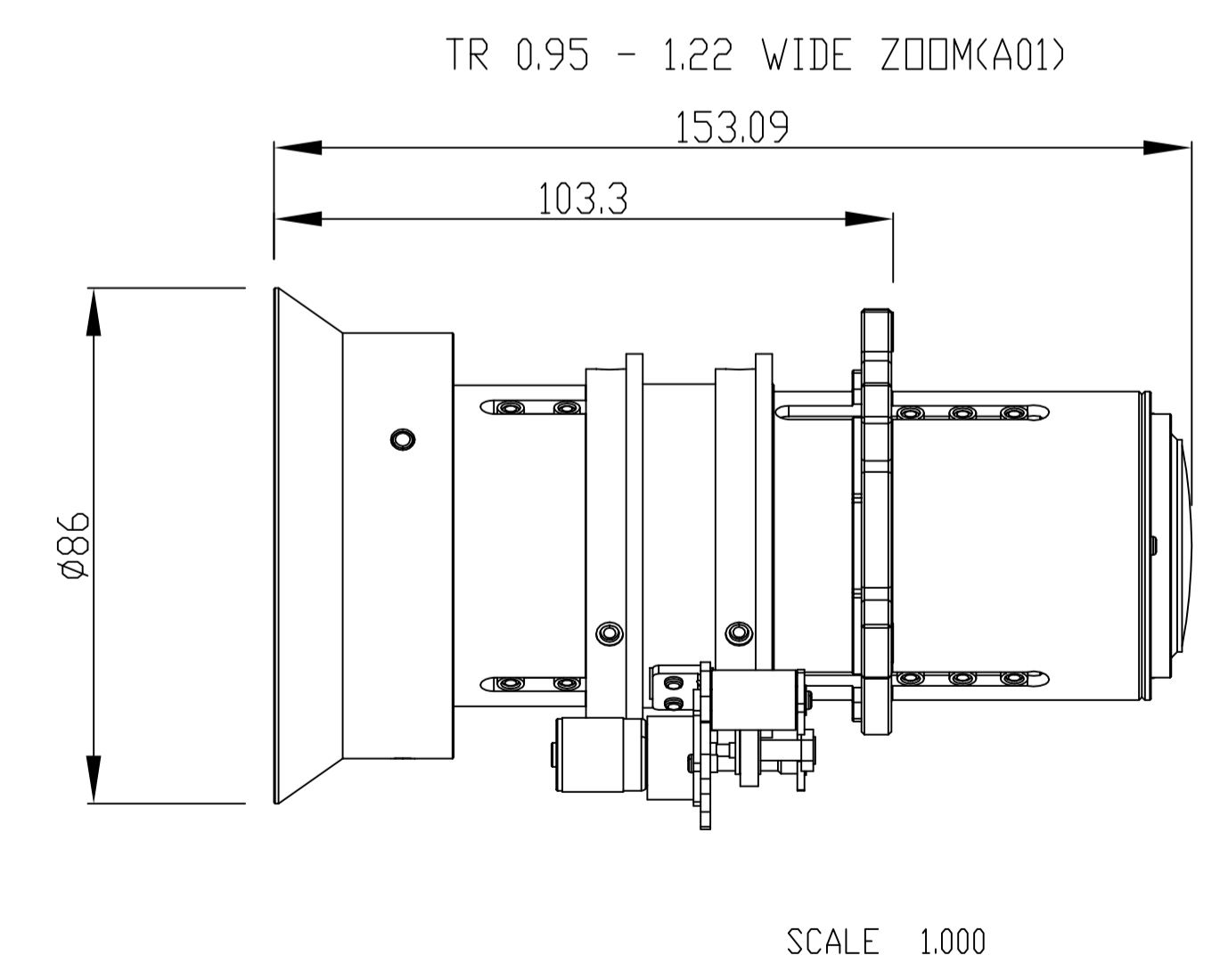
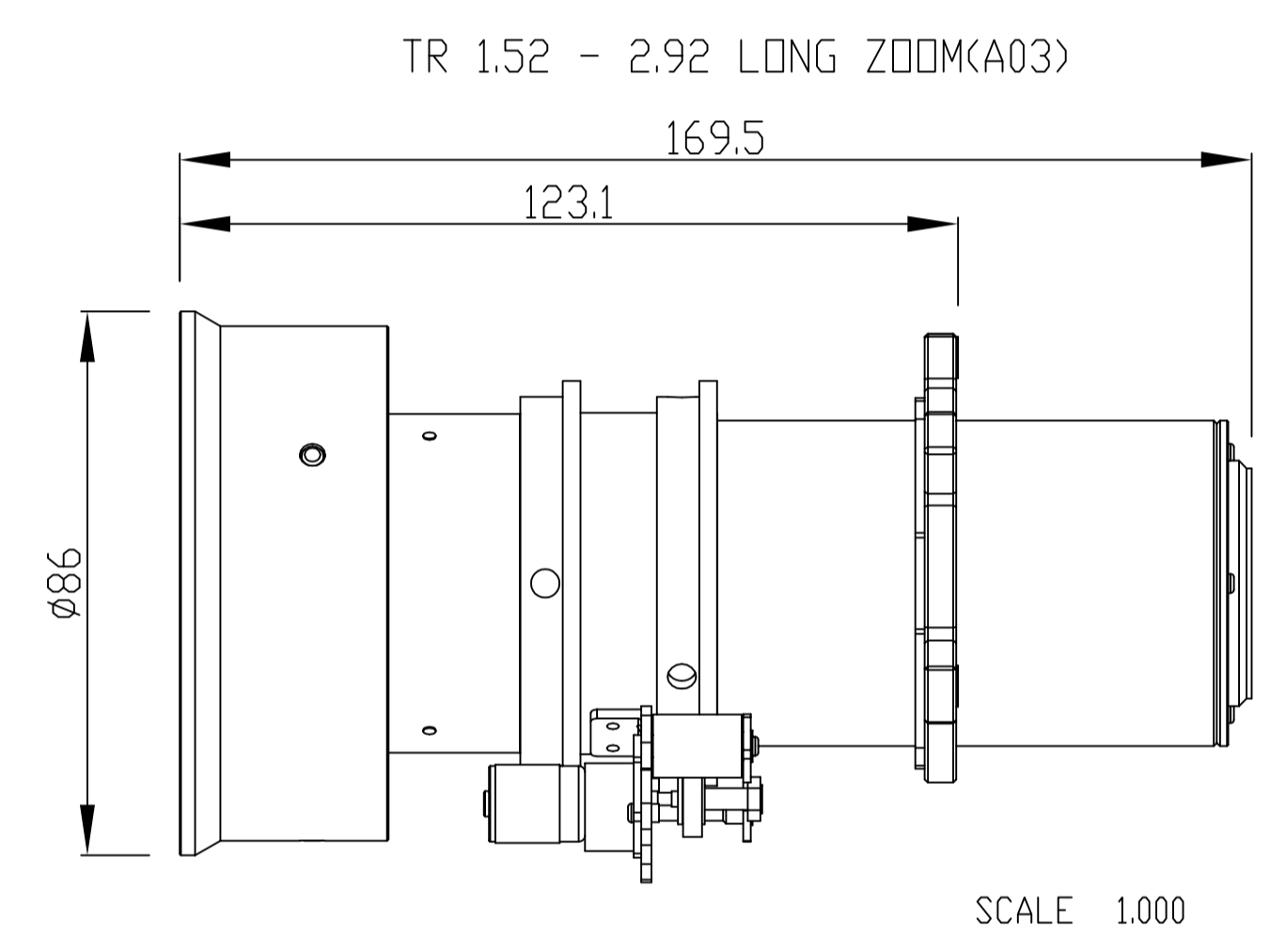
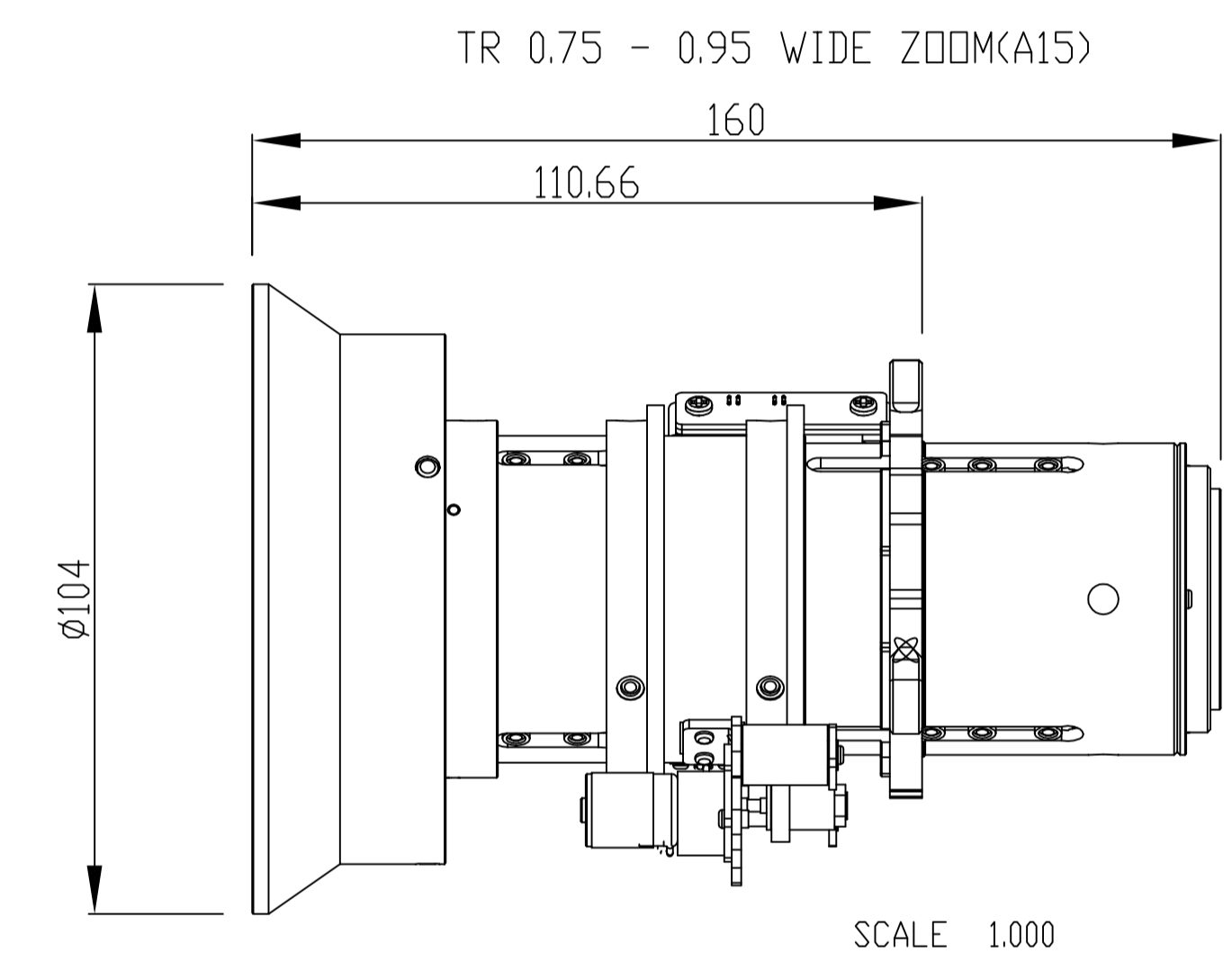
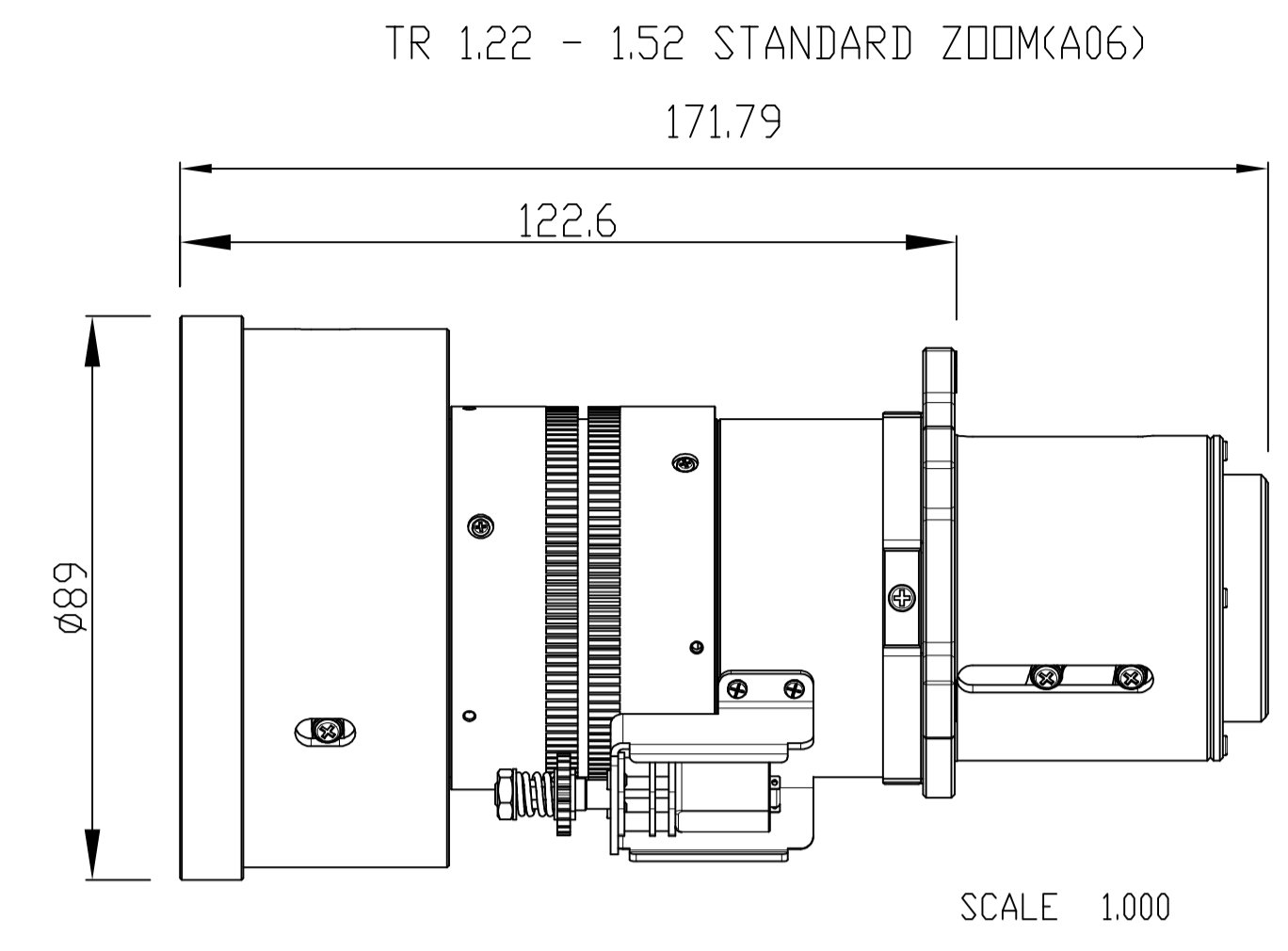
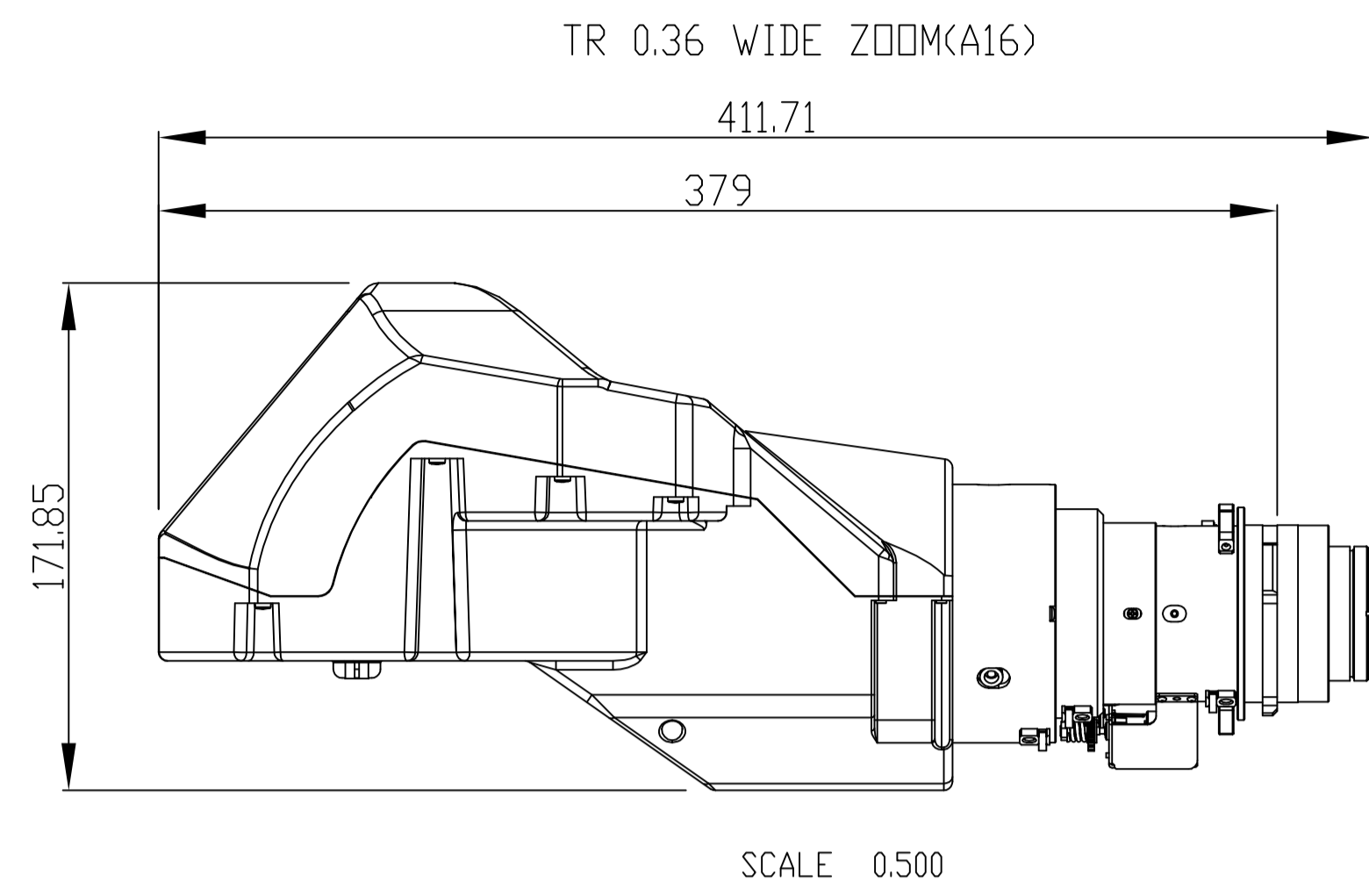
GENERAL NOTE
 MASS: 18.2 kg (with lens)
 OPERATING TEMPERATURE RANGE:
 5°C~40°C @ 0~2500FT
 5°C~35°C @ 2500~5000FT
 5°C~30°C @ 5000~10000FT
 INPUT :AC 100-240V~, 50/60 Hz, 7.0A

DESCRIPTION	DIMENSION "A"	DIMENSION "B"	LENS RING
Optional Lens A16(TR:0.36)	348.47	824.47	N/A
Optional Lens A15(TR:0.75~0.95)	95.92	571.92	N/A
Optional Lens A01(TR:0.95~1.22)	94.56	570.57	Small
Standard Lens A06(TR:1.22~1.52)	113.86	589.87	Large
Optional Lens A03(TR:1.52~2.92)	114.36	590.37	Small
Optional Lens A13(TR:2.9~5.5)	142.07	618.07	Small

LIMITS UNLESS OTHERWISE NOTED				DRAWN	StrifeChu	20180620	Coretronic Corporation
1-6	±0.1	300-1000	±0.8	ENG.	StrifeChu	20180620	
6-30	±0.2	1000-2000	±1.2	CHK.	Kenny Wu	20180620	
30-100	±0.3	2000-	±2.0	APPD.	Kenny Wu	20180620	
TITLE				ZUT750		PART NO.	
SCALE				UNIT	MATERIAL	FINISH	
Rev. Initial Date				Description		UNIT OUTLINE INFORMATION	
ECR NO.				100-300	±0.5	ANGLE	±0.5°
SCALE				1:1000			



DRAWN		Strife.Chu	20180620	Coretronic Corporation	
ENG.		Strife.Chu	20180620	NAME :	
CHK.		Kenny Wu	20180620	UNIT OUTLINE INFORMATION	
APPD.		Kenny Wu	20180620	PART NO.	
TITLE		ZU750	FINISH		Rev.A
SCALE		1:1	MATERIAL		SHEET
UNIT		mm	1:1		3 OF 4
ANGLE		±0.5°	±0.5°		14
LIMITS UNLESS OTHERWISE NOTED		1-6 ±0.1 300-1000 ±0.8		14	
		6-30 ±0.2 1000-2000 ±1.2		L04-3016F1 Rev.C	
		30-100 ±0.3 2000-± ±2.0			
		100-300 ±0.5			



DESCRIPTION	GROSS WEIGHT	NET WEIGHT
Optional Lens A16(TR: 0.36)	7.95 Kg	2.7 Kg
Optional Lens A15(TR: 0.75~0.95)	1.18 Kg	0.7 Kg
Optional Lens A01(TR: 0.95~1.22)	0.9 Kg	0.6 Kg
Standard Lens A06(TR: 1.22~1.52)	1.32 Kg	0.9 Kg
Optional Lens A03(TR: 1.52~2.92)	1.16 Kg	0.8 Kg
Optional Lens A13(TR: 2.90~5.50)	1.4 Kg	1.0 Kg

DRAWN	StrifeChu	20180628	Coretronic Corporation	
ENG.	StrifeChu	20180628		
CHK.	Kenny Wu	20180628	UNIT OUTLINE INFORMATION	
APPD.	Kenny Wu	20180628		
TITLE	Z1750		PART NO.	Rev.A
SCALE	mm		FINISH	SHEET
				4 OF 4