



DOUGHTY ENGINEERING LTD

DATA SHEET

TITLE:
REDUCER SPIGOT 29MM - 16MM
(EURO SPEC)

PART NOS:

T73800

MATERIAL:

STEEL

WEIGHT:

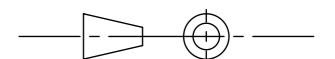
SWL:

FINISH:

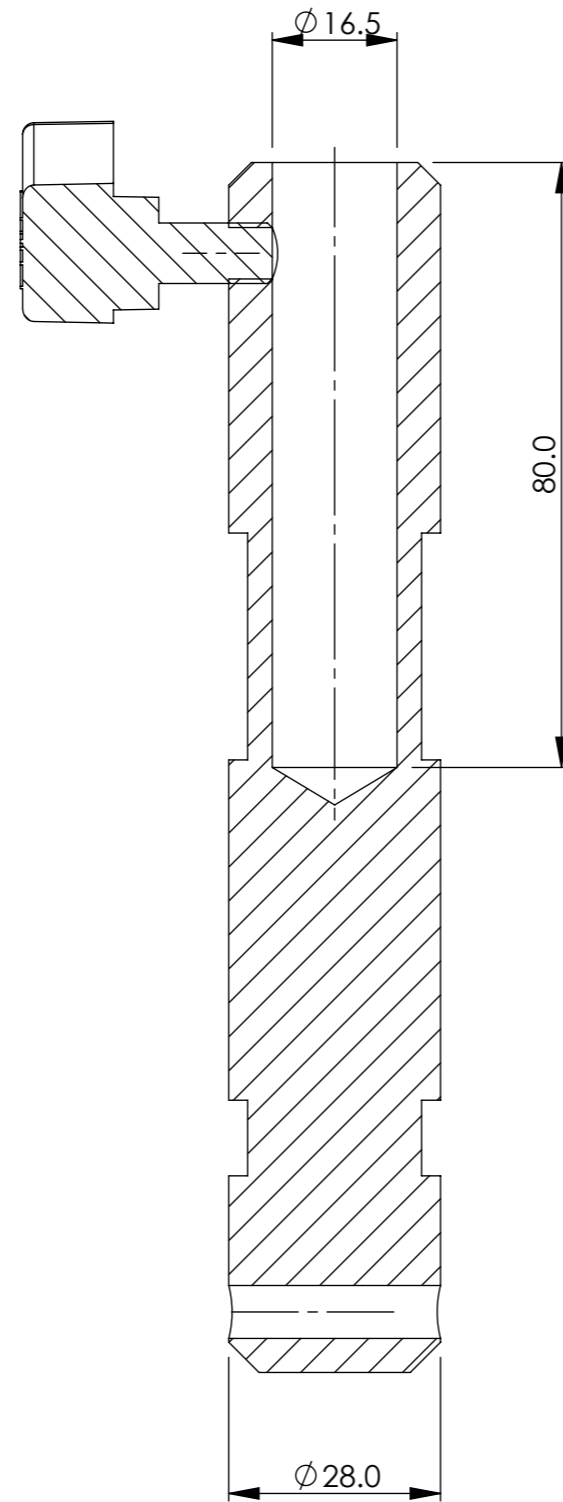
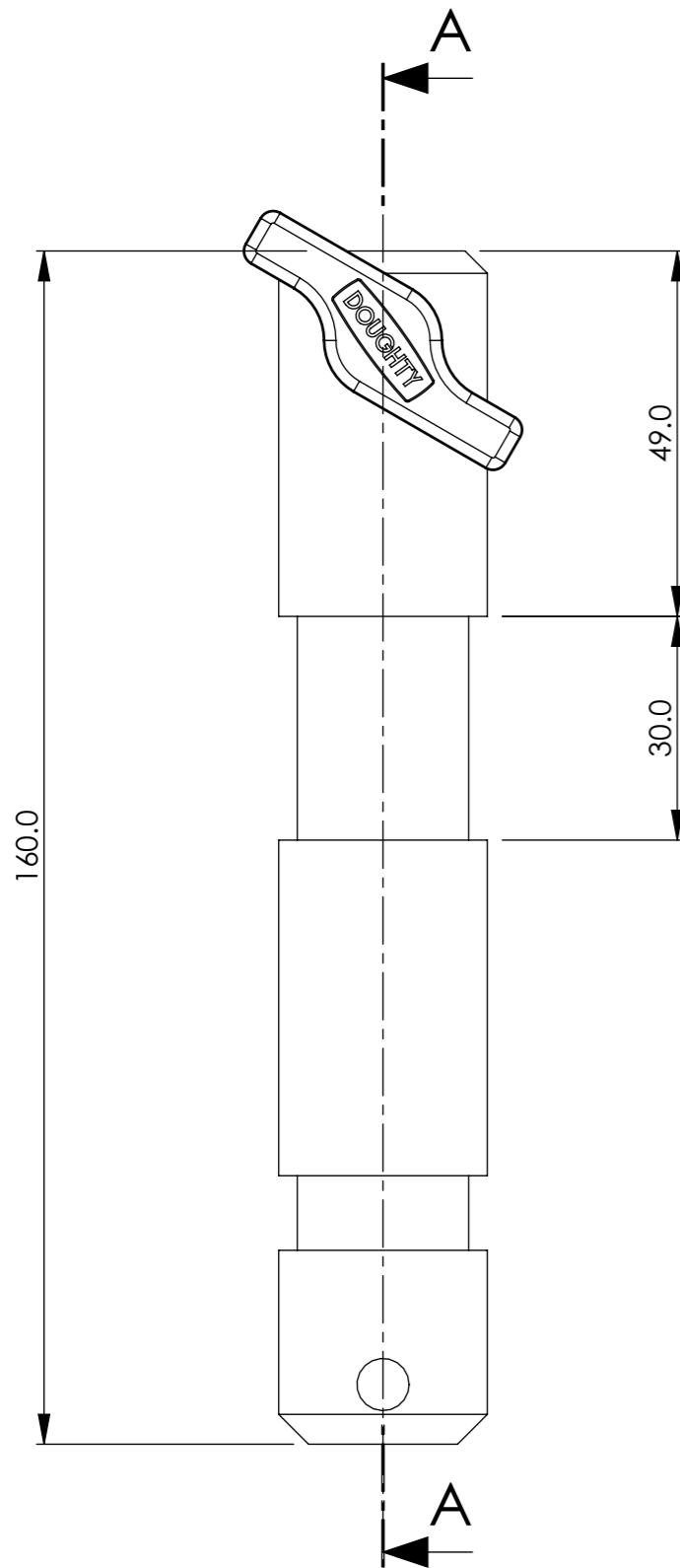
CHROME PLATED

NOTES:

**STRICTLY
FOR
REFERENCE
PURPOSES
ONLY**



THIRD ANGLE PROJECTION



SECTION A-A

