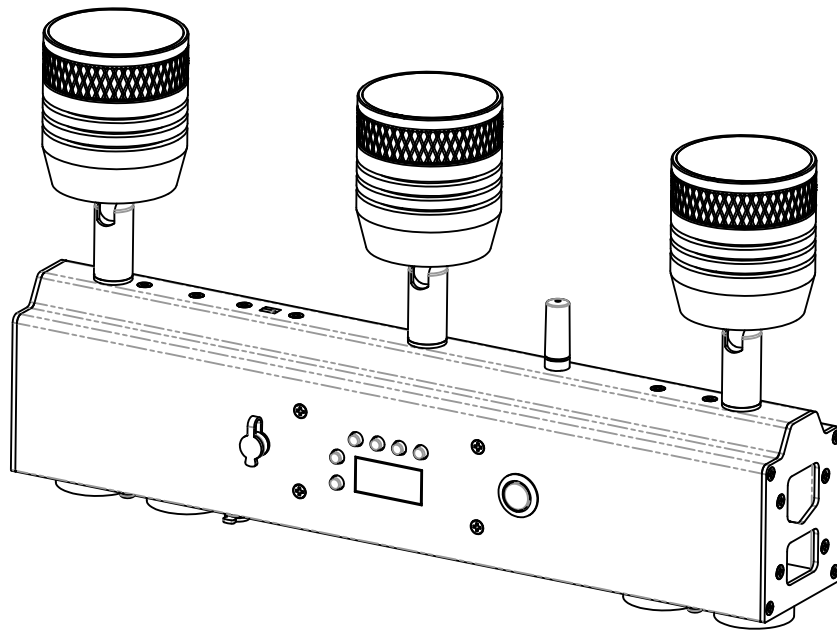


BT-AKKUBAR



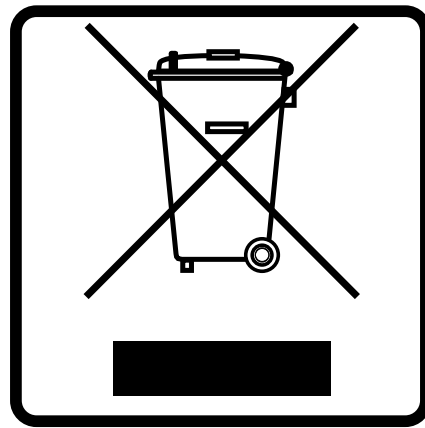
ENGLISH Operation Manual

Other languages can be downloaded from:
WWW.BRITEQ-LIGHTING.COM



Version: 1.0





EN - DISPOSAL OF THE DEVICE

Dispose of the unit and used batteries in an environment friendly manner according to your country regulations.

FR - DÉCLASSER L'APPAREIL

Débarrassez-vous de l'appareil et des piles usagées de manière écologique Conformément aux dispositions légales de votre pays.

NL - VERWIJDEREN VAN HET APPARAAT

Verwijder het toestel en de gebruikte batterijen op een milieuvriendelijke manier conform de in uw land geldende voorschriften.

DU - ENTSORGUNG DES GERÄTS

Entsorgen Sie das Gerät und die Batterien auf umweltfreundliche Art und Weise gemäß den Vorschriften Ihres Landes.

ES - DESHACERSE DEL APARATO

Reciclar el aparato y pilas usadas de forma ecologica conforme a las disposiciones legales de su país.

PT - COMO DESFAZER-SE DA UNIDADE

Tente reciclar a unidade e as pilhas usadas respeitando o ambiente e em conformidade com as normas vigentes no seu país.

OPERATION MANUAL

Thank you for buying this Briteq® product. To take full advantage of all possibilities and for your own safety, please read these operating instructions very carefully before you start using this unit.

FEATURES

- Compact but powerful Li-ion battery-powered LED-projector
- Equipped with 3 pivoting 5 watt 25° LED projectors (3000K & CRI>90)
- The perfect solution for many applications: buffet lighting, exhibition booths, ...
- Sturdy construction quality for frequent and versatile use in rental jobs.
- Equipped with strong magnetic rubber feet: just snap it onto a magnetic surface!
- Autonomy: +/-8hrs use at 100% output on a fully charged battery!
- Equipped with magnetic filter holders for the use of all kinds of filters:
 - CTO/CTB filters: adjust CCT to e.g. 4000K, 2700K, ...
 - Color filters: choose any color imaginable
 - Frost filters: adjust beam angle
- Multiple operating modes:
 - Built-in wireless DMX receiver (100% compatible with the W-DMX G4-protocol)
 - Controlled by wireless IR remote (included).
 - Simple manual operation.
- Projector can still be used with empty battery: just connect it to the mains!
- The battery charger charges the battery while the projector is working on mains power, 3hrs charging time.
- Strong flight case (50x50cm) optionally available for transport of 4 sets, including battery chargers.

BEFORE USE

- Before you start using this unit, please check if there's no transportation damage. Should there be any, do not use the device and consult your dealer first.
- **Important:** This device left our factory in perfect condition and well packaged. It is absolutely necessary for the user to strictly follow the safety instructions and warnings in this user manual. Any damage caused by mishandling is not subject to warranty. The dealer will not accept responsibility for any resulting defects or problems caused by disregarding this user manual.
- Keep this booklet in a safe place for future consultation. If you sell the fixture, be sure to add this user manual.

Check the contents:

Check that the packing contains the following items:

- Operating instructions
- BT-AKKUBAR
- AC/DC battery charger.
- Wireless IR remote

SAFETY INSTRUCTIONS:



CAUTION
RISK OF ELECTRIC SHOCK
DO NOT OPEN



CAUTION: To reduce the risk of electric shock, do not remove the top cover. No user-serviceable parts inside. Refer servicing to qualified service personnel only.



The lightning flash with arrowhead symbol within the equilateral triangle is intended to alert the user or the presence of un-insulated "dangerous voltage" within the product's enclosure that may be of sufficient magnitude to constitute a risk of electric shock.



The exclamation point within the equilateral triangle is intended to alert the user to the presence of important operation and maintenance (servicing) instructions in the literature accompanying this appliance.



This symbol means: indoor use only



This symbol means: Read instructions



This symbol determines: the minimum distance from lighted objects. The minimum distance between light-output and the illuminated surface must be more than 1 meter



The device is not suitable for direct mounting on normally flammable surfaces. (suitable only for mounting on non-combustible surfaces)

RISK GROUP 2
CAUTION:
Do not stare at operating lamp

CAUTION: Do not stare at operating lamp.
May be harmful to the eyes.

- To protect the environment, please try to recycle the packing material as much as possible.
- To prevent fire or shock hazard, do not expose this appliance to rain or moisture.
- To avoid condensation to be formed inside, allow the unit to adapt to the surrounding temperatures when bringing it into a warm room after transport. Condense sometimes prevents the unit from working at full performance or may even cause damages.
- This unit is for indoor use only.
- Don't place metal objects or spill liquid inside the unit. Electric shock or malfunction may result. If a foreign object enters the unit, immediately disconnect the mains power.
- Locate the fixture in a well ventilated spot, away from any flammable materials and/or liquids. The fixture must be fixed at least 50cm from surrounding walls.
- Don't cover any ventilation openings as this may result in overheating.
- Prevent use in dusty environments and clean the unit regularly.
- Keep the unit away from children.
- Inexperienced persons should not operate this device.
- Maximum safe ambient temperature is 40°C. Don't use this unit at higher ambient temperatures.
- Make sure the area below the installation place is free from unwanted persons during rigging, de-rigging and servicing.
- Allow the device about 10 minutes to cool down before to start servicing.
- Always unplug the unit when it is not used for a longer time or before to start servicing.
- The electrical installation should be carried out by qualified personal only, according to the regulations for electrical and mechanical safety in your country.
- Check that the available voltage is not higher than the one stated on the unit.
- The power cord should always be in perfect condition. Switch the unit immediately off when the power cord is squashed or damaged. It must be replaced by the manufacturer, it's service agent or similarly qualified persons in order to avoid a hazard.
- Never let the power-cord come into contact with other cables!
- This fixture must be earthed in order to comply with safety regulations.
- Don't connect the unit to any dimmer pack.
- Always use an appropriate and certified safety cable when installing the unit.
- In order to prevent electric shock, do not open the cover. There are no user serviceable parts inside.
- **Never** repair a fuse or bypass the fuse holder. **Always** replace a damaged fuse with a fuse of the same type and electrical specifications!
- In the event of serious operating problems, stop using the fixture and contact your dealer immediately.
- The housing and the lenses must be replaced if they are visibly damaged.
- Please use the original packing when the device is to be transported.

- Due to safety reasons it is prohibited to make unauthorized modifications to the unit.

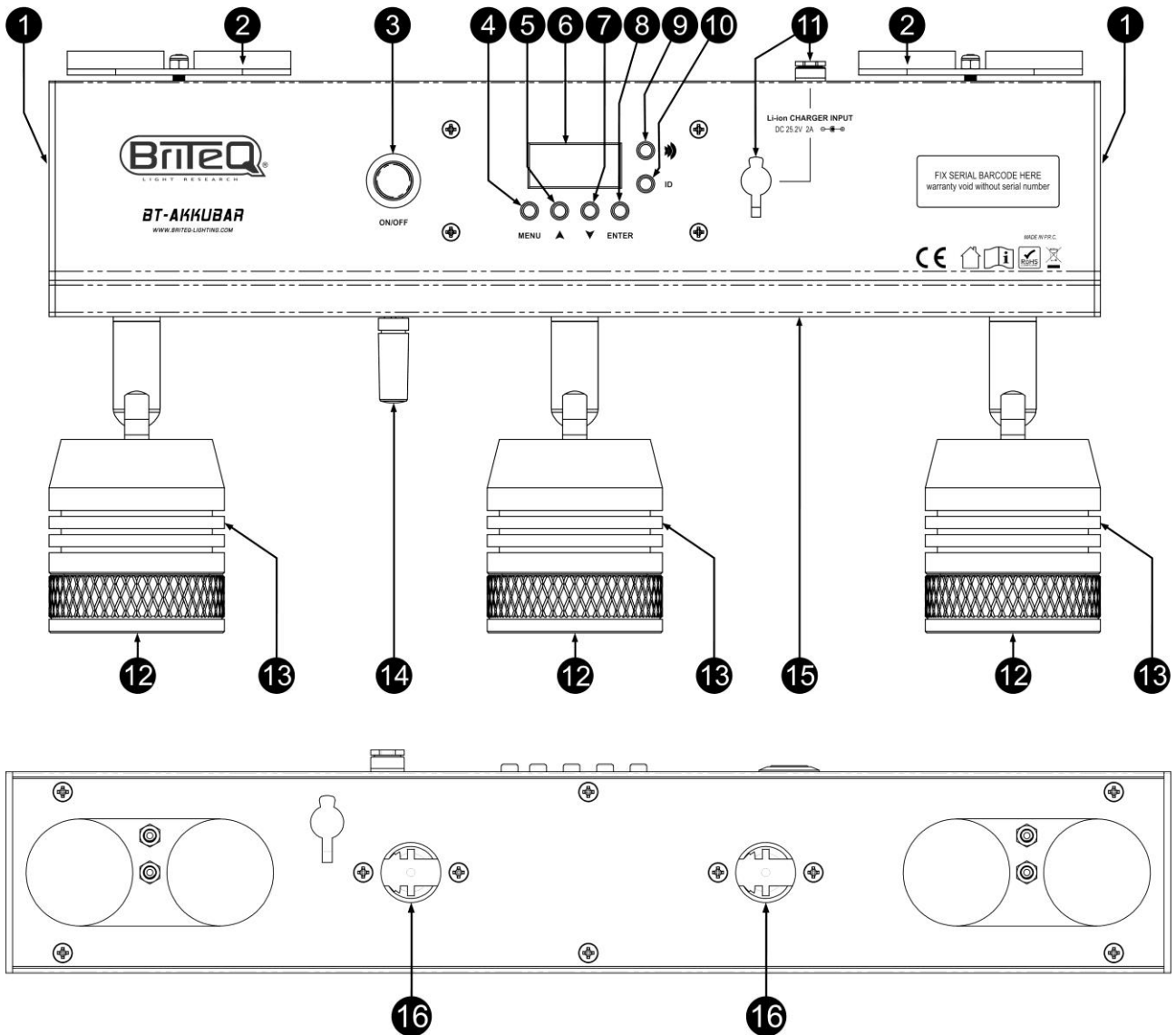
Important: Never look directly into the light source! Don't use the effect in the presence of persons suffering from epilepsy.


OVERHEAD RIGGING

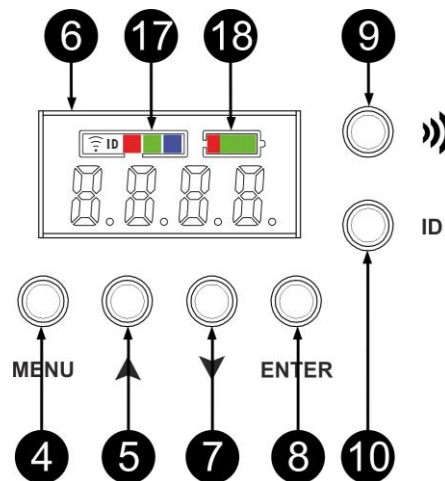
- **Important:** The installation must be carried out by qualified service personal only. Improper installation can result in serious injuries and/or damage to property. Overhead rigging requires extensive experience! Working load limits should be respected, certified installation materials should be used, the installed device should be inspected regularly for safety.
- Make sure the area below the installation place is free from unwanted persons during rigging, de-rigging and servicing.
- Locate the fixture in a well ventilated spot, far away from any flammable materials and/or liquids. The fixture must be fixed **at least 50cm** from surrounding walls.
- The device should be installed out of reach of people and outside areas where persons may walk by or be seated.
- Before rigging make sure that the installation area can hold a minimum point load of 10times the device's weight.
- Always use a certified safety cable that can hold 12 times the weight of the device when installing the unit. This secondary safety attachment should be installed in a way that no part of the installation can drop more than 20cm if the main attachment fails.
- The device should be well fixed; a free-swinging mounting is dangerous and may not be considered!
- Don't cover any ventilation openings as this may result in overheating.
- The operator has to make sure that the safety-relating and machine-technical installations are approved by an expert before using them for the first time. The installations should be inspected every year by a skilled person to be sure that safety is still optimal.



DESCRIPTION:



1. Holes on the sides to fix a safety cable to hang the projector.
2. Magnetic feet for easy mounting the projector on steel surfaces. Feet can be turned for 90° for better stability.
3. [ON/OFF] button : push this button to turn the projector ON or OFF.
4. [MENU] button : used to navigate in the menu.
5. [▲] button : push this button to go up in the menu.
6. Display
7. [▼] button : push this button to go down in the menu.
8. [ENTER] button : push this button to confirm the selected setting.
9.  button : used to turn ON or OFF the build in wireless DMX receiver.
10. [ID] button : used to pair/unpair the projector with/from a transmitter. (see chapter : [HOW TO SETUP]).
11. Power input connector.
12. Removable magnetic filter holder.
13. LED projector (can be turned 90° vertical and 330° horizontal)
14. Antenna for wireless DMX.
15. IR sensor.
16. Fixing holes for mounting (optional) [OMEGA BRACKET SMALL] (order code : B02677)
17. Wireless DMX indicator leds (RGB)
18. Battery level indicator leds.



ELECTRICAL INSTALLATION

⚠ Important: The electrical installation should be carried out by qualified personal only, according to the regulations for electrical and mechanical safety in your country.

Note: In the explanations below we assume that you will operate the projectors with the internal battery which is already fully charged. If you want to use them with a mains cable, simply connect all projectors to the mains using the supplied power cable and adaptor.

Electrical installation for 1 standalone unit:

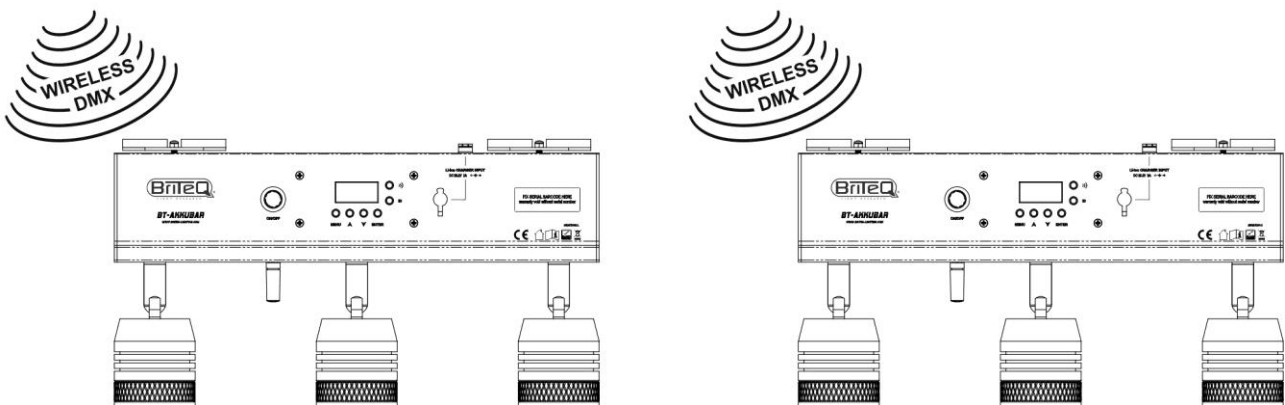
- Switch the projector on using the power switch (3). The unit starts working immediately in the last selected stand-alone mode.
- Refer to chapter [HOW TO SETUP] to learn how to switch between different working modes.

Electrical installation for one or more units in DMX-mode:

You can control the BT-AKKUBAR projector by wireless DMX. The projector's wireless DMX protocol is fully compatible with "Wireless Solution Sweden".

WIRELESS SOLUTION

- Switch the projector(s) on.
- Set the desired DMX start address on the projector(s).
- Switch on the wireless mode using switch (9).
- Pair the projector(s) with the wireless DMX transmitter. (for example : JB Systems® "M-DMX TRANSCIEVER II" is 100% compatible)
- Once this is done everything should work.



[SETUP MENU]:

[Addr] DMX 512 Address setting

Used to set the start address in a DMX setup.

- Press the [MENU] button.
- Press the ▲ or ▼ button until [Addr] is shown on the display.
- Press the [ENTER] button to select.
- Use ▲ and ▼ buttons to change the DMX512 address.
- Once the correct address is shown on the display, press the [ENTER] button to confirm.

[dIn] Dimmer setting

Used to set the desired light output.

- Press the [MENU] button.
- Press the ▲ or ▼ button until [dIn] is shown on the display.
- Press the [ENTER] button to select. The display shows the actual value (between 000 and 100)
- Use ▲ and ▼ buttons to change the value.
- Once the desired value is shown on the display, press the [ENTER] button to confirm.

[LoSt]

Used to set the working mode when DMX-signal fails.

- Press the [MENU] button.
- Press the ▲ or ▼ buttons until the display shows [LoSt].
- Press the [ENTER] button. The display shows [Hold] or [SEt].
 - [Hold] : holds the last valid Wireless DMX signal.
 - [SEt] : keeps the manual dimmer setting.
- Press the ▲ or ▼ buttons to change the mode.
- Press the [ENTER] button to confirm.

[Ir] Remote Control

Used to turn on or off the IR-4 remote control function.

- Press the [MENU] button.
- Press the ▲ or ▼ buttons until the display shows [Ir].
- Press the [ENTER] button. The display shows [on] or [oFF].
- Press the ▲ or ▼ buttons to change to [on] or [oFF].
- Press the [ENTER] button. The IR remote control function is now turned on [on] or off [oFF].

[LoC] Lock/unlock

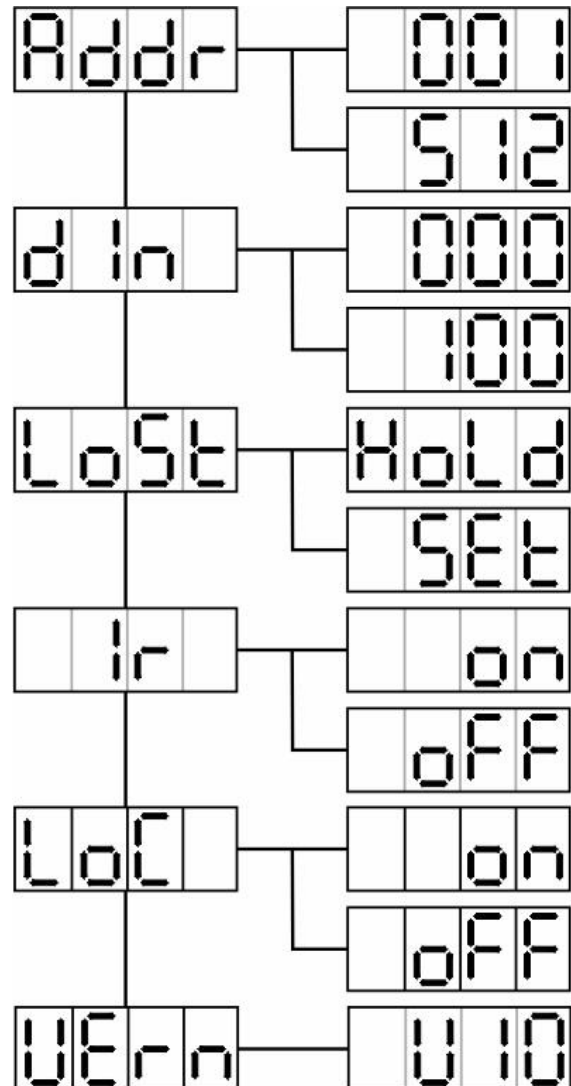
Used to lock and unlock the display functionality.

- Press the [MENU] button.
- Press the ▲ or ▼ buttons until the display shows [LoC].
- Press the [ENTER] button. The display shows [on] or [oFF].
- Press the ▲ or ▼ buttons to change to [on] or [oFF].
- Press the [ENTER] button. The display functions will be locked after +/- 1min.
- Press the [ENTER] button and ▼ button simultaneously for 3s to unlock the display functions.
- The display flashes once to show that it's unlocked.
- Press the [MENU] button to leave.

[UErn] Software Version

Used to show the software version of the unit.

- Press the [MENU] button.



- Press the ▲ or ▼ buttons until the display shows [UErn].
- Press the [ENTER] button. The display shows the version [U1.0].
- Press the [MENU] button to leave.

SETUP FOR WIRELESS OPERATION

Each unit has a wireless DMX receiver on board.

To set up the system, you first need to assign each receiver to the universe (transmitter) it should work with.

VERY IMPORTANT THINGS TO KNOW BEFORE USE

Before you start using these wireless DMX units, you should know about the following some basic information. It will save you a lot of time and frustration:

- Check information on the [ID] button (10) and status led (17).
 - Status LED (17) WHITE (RGB lit) : unit is disconnected from any transmitter (unpaired).
 - Status LED (17) GREEN : unit is connected to a transmitter (paired).
 - Status LED (17) GREEN (blinking slow) : unit is paired but receives no DMX-signal from transmitter.
 - Status LED (17) RED (blinking) : the transmitter is OFF.
- A receiver can only be paired with a transmitter while it is completely disconnected (unpaired): status led (17) is WHITE (RGB leds on the display are lit).

SETTING UP WIRELESS DMX MODE

- Press the [ID] button (10). The status LED will become WHITE (RGB leds lit), RED (blinking) or GREEN (the last selected mode).
- If the status led (17) is WHITE (RGB leds lit), press the ID button on your transmitter. The GREEN led on the BT-AKKUBAR will start blinking during pairing and will stay lit when the pairing has succeeded.
- If the status led (17) is GREEN, the BT-AKKUBAR is already paired with a transmitter. To unpair it from the transmitter, press the [ID] button (10) for about 5s until the status led (17) turns WHITE (RGB leds lit).
- If the status LED (17) is RED, the BT-AKKUBAR is already paired with a transmitter but it doesn't receive a signal (transmitter is OFF).
- The status LED will turn white and after a few seconds turns RED (fast blinking if there is no signal present) or GREEN (when the receiver is paired with a transmitter).
- The unit is now in receiver mode.
- Release the receiver from any universe (transmitter) by pressing the [ID] button (10) for about 5 seconds. The status led (17) now turns WHITE (RGB leds lit). The unit is now ready to be paired with a transmitter.

PAIRING TRANSMITTER AND RECEIVER(S)

- **First of all : prepare the receiver(s) as described above.**
- **Pairing with one or more receivers always has to be performed on the transmitter!**
- Press the [ID] button on your transmitter. The BLUE led starts blinking and the led on the receiver(s) starts blinking GREEN at the same time.
After a few seconds the leds stop blinking. The transmitter and receiver(s) are now paired.

DISCONNECTING RECEIVERS FROM A DMX UNIVERSE (TRANSMITTER)

To disconnect all the receivers from a DMX universe / transmitter:

- Press the [ID] button from your transmitter for about 5 seconds until the status LED (17) on the receiver(s) turn(s) WHITE (RGB leds lit).
- After a few moments the status LED on the transmitter turns BLUE again.
- You can also re-connect the receiver(s) again simply by pressing shortly on the [ID] button on the transmitter. The status LED (17) on the receiver(s) turn(s) GREEN again.

To disconnect an individual receiver from a DMX universe / transmitter:

- Press the [ID] button (10) of the receiver for about 5s until the status LED (17) becomes WHITE (RGB lit).
- This receiver is now disconnected from the transmitter (DMX universe).

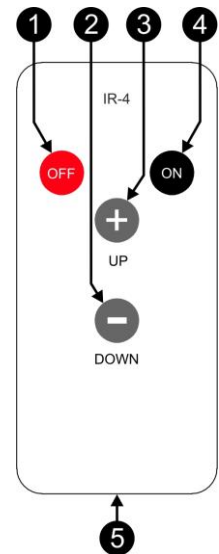
OPERATING INSTRUCTIONS

A. Standalone 1unit:

- Press the [MENU] button.
- Press the ▲ or ▼ button until [dIn] is shown on the display.
- Press the [ENTER] button to select. The display shows the actual value (between 000 and 100)
- Use ▲ and ▼ buttons to change the value.
- Once the desired value is shown on the display, press the [ENTER] button to confirm.

B. Controlled by IR-4 remote-controller:

- Press the [MENU] button.
- Press the ▲ or ▼ buttons until the display shows [Ir].
- Press the [ENTER] button. The display shows [on] or [oFF].
- Press the ▲ or ▼ buttons to change to [on] or [oFF].
- Press the [ENTER] button. The IR remote control function is now turned on [on] or off [oFF].



IR-4 REMOTE

1. [OFF]-button: used to switch off the output of the projector.
2. [UP]-button: this button is used to increase the light output of the projector.
3. [DOWN]-button: this button is used to decrease the light output of the projector.
4. [ON]-button: used to switch on the output of the projector.
5. **Battery compartment:** receives a CR2025 3V-battery (supplied).

C. Controlled by a wireless DMX-controller:

ATTENTION : the wireless DMX controller must be compatible with Wireless Solutions Sweden!

- Turn on the wireless DMX controller. (for example : JB Systems EZ-CON 24W)
- Turn on all the units and give each unit a DMX address. When each unit has its own unique DMX-address, you can control them individually.

DMX CHART

Mode 1CH:

DMX Channel	DMX-value	function	remarks
1	000-255	Master Dimmer 0% - 100%	

MAINTENANCE

- Switch off the unit and unplug the mains cable.

During inspection the following points should be checked:

- When an optical lens is visibly damaged due to cracks or deep scratches, it must be replaced.
- The mains cables must be in impeccable condition and should be replaced immediately when even a small problem is detected.
- In order to protect the device from overheat the cooling fans (if any) and ventilation openings should be cleaned monthly.
- **BATTERY maintenance:** We strongly advice to follow the maintenance requirements imposed by the battery reseller. On top of that you should at least every 6 months:
 - Do a visual check of the battery: cleanness, terminal damage, any damage of the housing, ...
 - Check if the poles of the battery are still well tightened to the wires.

Attention: We strongly recommend internal cleaning to be carried out by qualified personnel!

RECYCLING OF USED BATTERIES: used Li/ion batteries should be considered and handled as dangerous waste. Each country has its own regulations for the recycling of used rechargeable

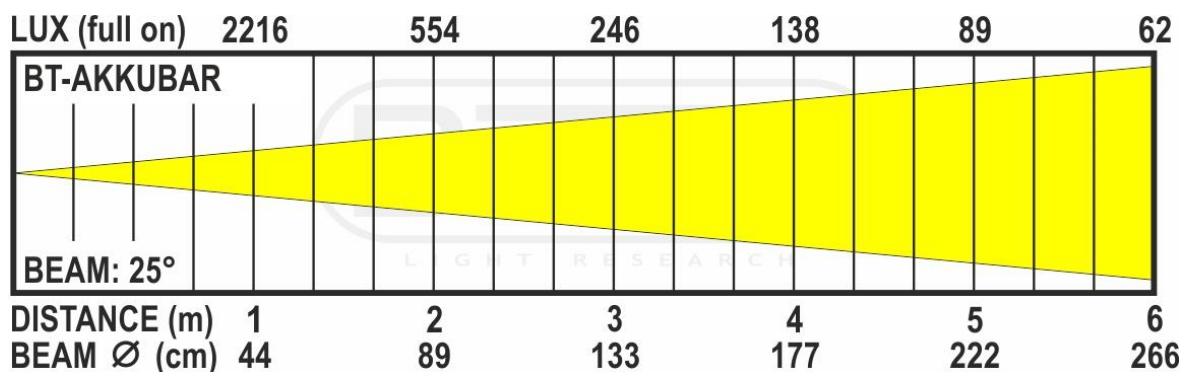
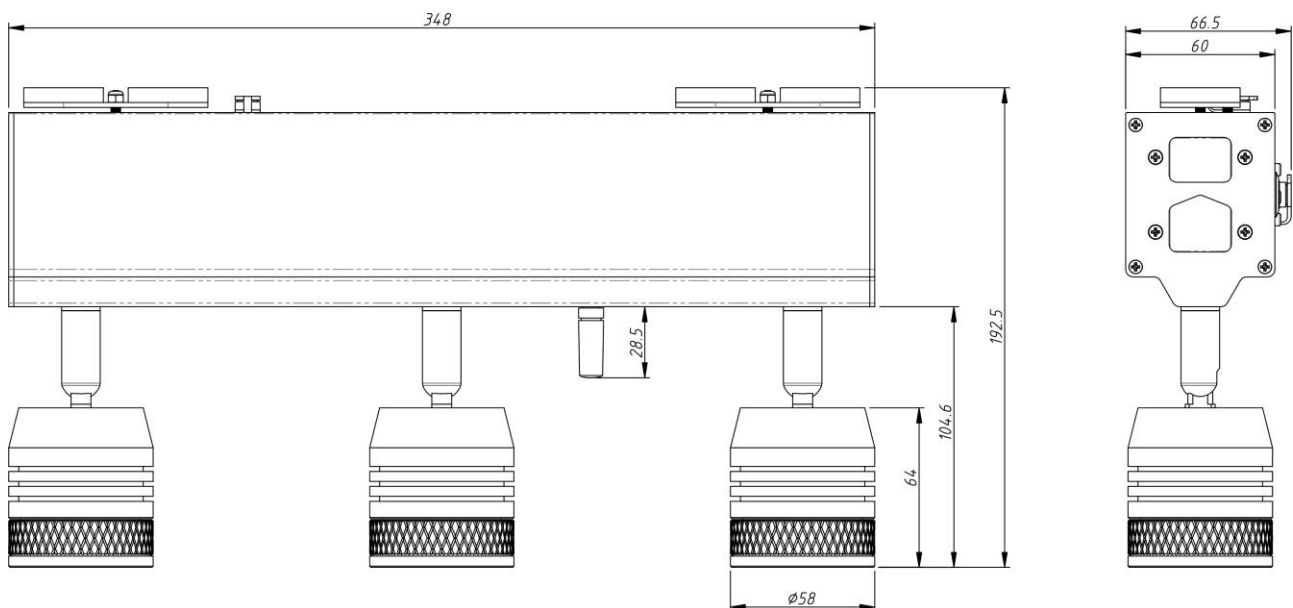
batteries: check the local regulations in your country or ask your battery vendor for more information on recycling of the used rechargeable batteries!

SPECIFICATIONS

This unit is radio-interference suppressed. This product meets the requirements of the current European and national guidelines. Conformity has been established and the relevant statements and documents have been deposited by the manufacturer.

This device was designed to produce decorative effect lighting and is used in light show systems.

Mains Input:	100-240V, 50/60HZ
Power consumption:	18 Watt
Rechargeable battery:	22,2Vdc / 2 x 2600 mAh (Li-ion)
Charging time:	3 hours
Autonomy:	8 hours at 100% output 9h45 at 80% output 14h45 at 50% output
DMX connections:	Wireless
LEDs:	3 LED 5W
Beam angle:	25°
Refresh rate:	2,1kHz
CRI:	91
Size:	see drawing
Weight:	2.73 kg



Every information is subject to change without prior notice

You can download the latest version of this user manual on our website: www.briteq-lighting.com



MAILING LIST

EN: Subscribe today to our mailing list for the latest product news!

FR: Inscrivez-vous à notre liste de distribution si vous souhaitez suivre l'actualité de nos produits!

NL: Abonneer je vandaag nog op onze mailinglijst en ontvang ons laatste product nieuws!

DE: Abonnieren Sie unseren Newsletter und erhalten Sie aktuelle Produktinformationen!

ES: Suscríbete hoy a nuestra lista de correo para recibir las últimas noticias!

PT: Inscreva-se hoje na nossa mailing list para estar a par das últimas notícias!

WWW.BRITEQ-LIGHTING.COM

Copyright © 2020 by BEGLEC NV

't Hofveld 2C ~ B1702 Groot-Bijgaarden ~ Belgium

Reproduction or publication of the content in any manner, without express permission of the publisher, is prohibited.