

# MSR Gold™ MiniFastFit (DJ/Club)

MSR Gold™ MiniFastFit – lamp replacement in seconds Thanks to the specially designed lamp base and lamp holder, the MSR Gold™ MiniFastFit takes just seconds to replace, to help ensure non-stop clubbing entertainment. In addition, the innovative gold plated pins ensure excellent current transfer to prolong lamp and lamp holder lifetimes and thereby reduce lamp replacement costs. Easy handling and small compact fixture designs are allowed by the lamps compact size, while the very short arc provides a high perceived brightness and high beam intensity.

## Product Features

- Philips MiniFastFit
- Compact design
- Innovative gold plated pins
- Color temperature >8000K
- Very short arc

## Product Benefits

- Lamp replacement in just seconds
- Easy handling, smaller and lighter fixtures
- Reduces early lamp or lamp holder failures. Excellent current transfer
- High perceived brightness
- High beam intensity

## Application

- Events
- Shows
- DJ/Club

Order code	Full product name
214355 45	MSR Gold™ 300/2 MiniFastFit 1CT
302585 52	MSR Gold™ 300/2 FastFit UNP
912265 00	MSR Gold™ 300/2 MiniFastFit 1CT
217364	MSR Gold™ 300/2 MiniFastFit
245308	MSR Gold™ 300/2 MiniFastFit 1CT

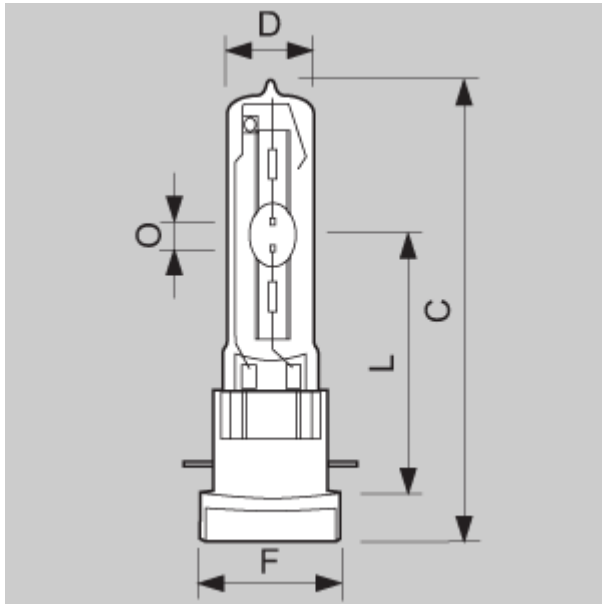
## Legend

Column	Value	Explanation
Technical Type	300	
Color Code	2	
System Description	MiniFastFit	
Packing Type	UNP	Unpacked
Packing Configuration	45	

## Basic specifications - Special Lighting

Order code	Technical Type	Color Code	System Description	Packing Type	Packing Configuration	Lamp Wattage [W]	Cap-Base	Cap-Base Information	Execution	Operating Position
214355 45	300	2	MiniFastFit	1CT	4	300	PGJX28	PGJX28	-	any
302585 52	300	2	MiniFastFit	UNP	45	300	PGJX28	PGJX28	-	any
912265 00	300	2	MiniFastFit	1CT	16	300	PGJX28	PGJX28	-	any
217364	300	2	MiniFastFit	1CT	4	300	PGJX28	PGJX28	-	any
245308	300	2	MiniFastFit	1CT	16	300	PGJX28	PGJX28	-	any

Order code	Main Application	Additional Information	Life to 50% failures EM	Lamp Wattage Technical	Lamp Current	Color Rendering Index [Ra]	Color Temperature	Luminous Flux Lamp EM/CuFe	Luminous Efficacy Lamp EM
214355 45	Entertainment	-	750 [nom]	300 [nom]	3.8 [nom]	80 [nom]	9300 [nom]	21000 [min] 23000 [nom]	77 [nom]
302585 52	Entertainment	-	750 [nom]	300 [nom]	3.8 [nom]	80 [nom]	9300 [nom]	21000 [min] 23000 [nom]	77 [nom]
912265 00	Entertainment	-	750 [nom]	300 [nom]	3.8 [nom]	80 [nom]	9300 [nom]	21000 [min] 23000 [nom]	77 [nom]
217364	Entertainment	-	750 [nom]	300 [nom]	3.8 [nom]	80 [nom]	9300 [nom]	21000 [min] 23000 [nom]	77 [nom]
245308	Entertainment	-	750 [nom]	300 [nom]	3.8 [nom]	80 [nom]	9300 [nom]	21000 [min] 23000 [nom]	77 [nom]



MSR Gold™ 300/2 MiniFastFit

MSR Gold 300/575 PGJX28

Dimension Reference	A			C	D	D1
	Min	Nom	Max	Max	Max	Nom
1	-	-	-	126	23	-

Dimension Reference	F			L			O
	Min	Nom	Max	Min	Nom	Max	Nom
1	-	-	-	65.8	66.8	67.8	5.0

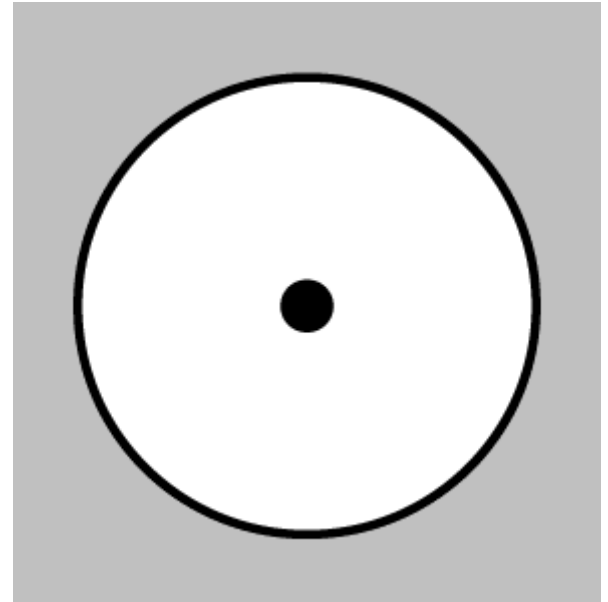
Full product name	Dimension Reference
MSR Gold™ 300/2 MiniFastFit 1CT	1
MSR Gold™ 300/2 MiniFastFit	1
MSR Gold™ 300/2 FastFit UNP	1

Letter	Explanation
A	Base Face to Base Face A
C	Overall Length C
D	Diameter D

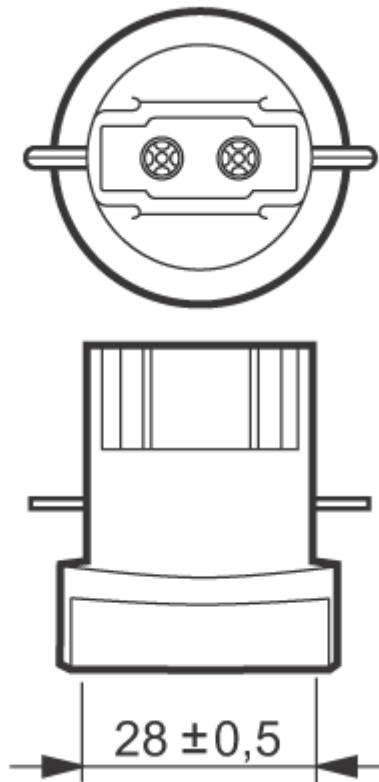
Letter	Explanation
F	Width F
L	Light Center Length L
D1	Diameter D1
O	Arc Length O



MSR Gold™ MiniFastFit  
[MSR Gold GOLD 300W/575W/700W/2 PGJX28](#)



Operating Position any



Cap-Base PGJX28



© 2009 Koninklijke Philips Electronics N.V.

All rights reserved. Reproduction in whole or in part is prohibited without the prior written consent of the copyright owner. The information presented in this document does not form part of any quotation or contract, is believed to be accurate and reliable and may be changed without notice. No liability will be accepted by the publisher for any consequence of its use. Publication thereof does not convey nor imply any license under patent- or other industrial or intellectual property rights.

Document order number : 0000 000 00000