



# MSR Gold™ 300/2 MiniFastFit

## Product family description

MSR Gold™ MiniFastFit – lamp replacement in seconds Thanks to the specially designed lamp base and lamp holder, the MSR Gold™ MiniFastFit takes just seconds to replace, to help ensure non-stop clubbing entertainment. In addition, the innovative gold plated pins ensure excellent current transfer to prolong lamp and lamp holder lifetimes and thereby reduce lamp replacement costs. Easy handling and small compact fixture designs are allowed by the lamps compact size, while the very short arc provides a high perceived brightness and high beam intensity.

## Product Features

- Philips MiniFastFit
- Compact design
- Innovative gold plated pins
- Color temperature >8000K
- Very short arc

## Product Benefits

- Lamp replacement in just seconds
- Easy handling, smaller and lighter fixtures
- Reduces early lamp or lamp holder failures. Excellent current transfer
- High perceived brightness
- High beam intensity

## Application

- Events
- Shows
- DJ/Club

Product data	
Order code	217364
Full product name	MSR Gold™ 300/2 MiniFastFit

Product data	
Packing type	1 Carton
Pieces per pack	1
Net weight per piece	0.062 KG
Successor order code	
System Description	MiniFastFit
Cap-Base	PGJX28
Cap-Base Information	PGJX28
Execution	-
Operating Position	any
Main Application	Entertainment
Additional Information	-
Packing Type	1CT [1 Carton]
Packing Configuration	4
Life to 50% failures EM	750 hr
Lamp Wattage	300W
Technical Type	300
Lamp Wattage Technical	300 W
Lamp Current	3.8 A
Color Code	2
Color Rendering Index	80 Ra8
Color Temperature	9300 K
Luminous Flux Lamp EM	23000 Lm
Luminous Efficacy Lamp EM	77 Lm/W

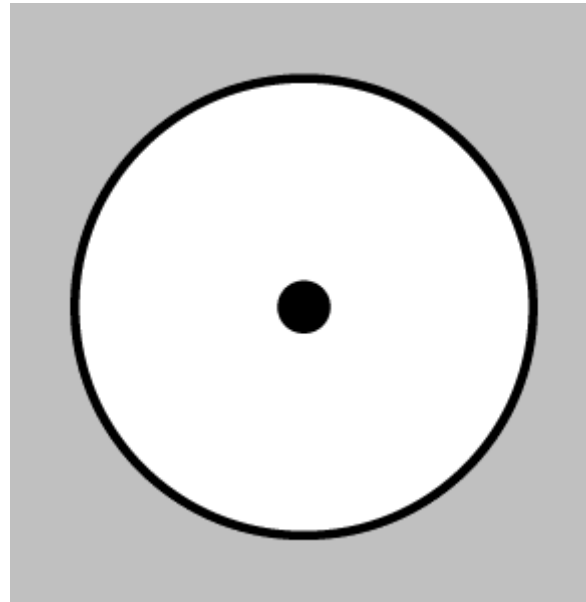
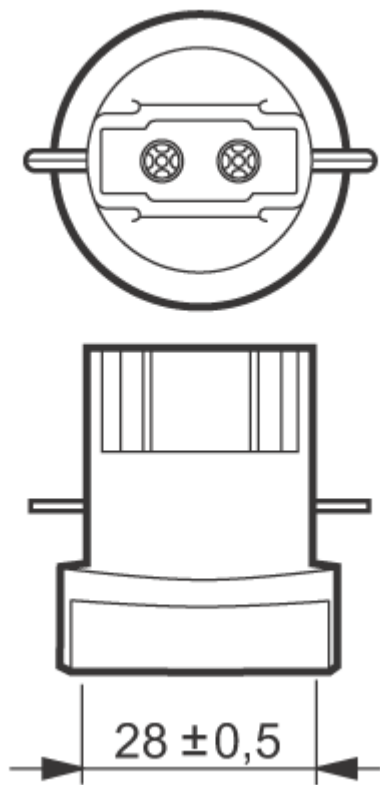


MSR Gold™ MiniFastFit

[MSR Gold GOLD 300W/575W/700W/2 PGJX28](#)

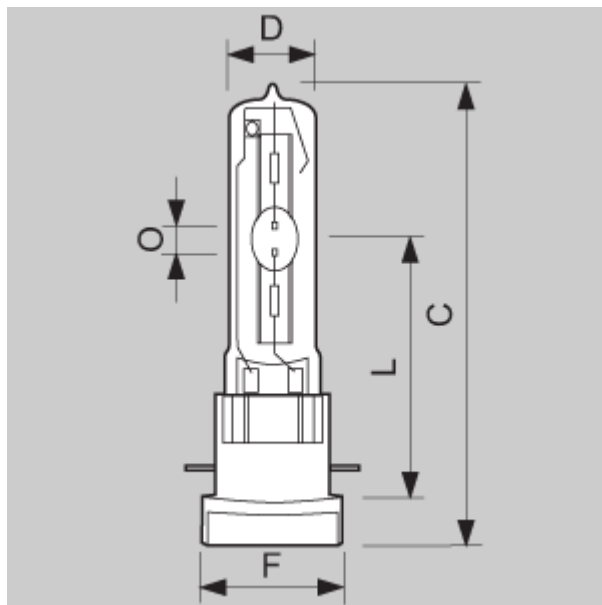


MSR Gold™ 300/2 MiniFastFit



Operating Position any

Cap-Base PGJX28



MSR Gold™ 300/2 MiniFastFit

MSR Gold 300/575 PGJX28

	A	A	A	A	A	A
Full product name	Min	Min	Nom	Nom	Max	Max
MSR Gold™ 300/2 MiniFastFit	-	-	-	-	-	-

	C	C	D	D	D1	D1
Full product name	Max	Max	Max	Max	Nom	Nom
MSR Gold™ 300/2 MiniFastFit	126	126	23	23	-	-

	F	F	F	F	F	F
Full product name	Min	Min	Nom	Nom	Max	Max
MSR Gold™ 300/2 MiniFastFit	-	-	-	-	-	-

	L	L	L	L	L	L
Full product name	Min	Min	Nom	Nom	Max	Max
MSR Gold™ 300/2 MiniFastFit	65.8	65.8	66.8	66.8	67.8	67.8

	O	O
Full product name	Nom	Nom
MSR Gold™ 300/2 MiniFastFit	5.0	5.0



©2009 Koninklijke Philips Electronics N.V.

All rights reserved. Reproduction in whole or in part is prohibited without the prior written consent of the copyright owner. The information presented in this document does not form part of any quotation or contract, is believed to be accurate and reliable and may be changed without notice. No liability will be accepted by the publisher for any consequence of its use. Publication thereof does not convey nor imply any license under patent- or other industrial or intellectual property rights.

Document order number : 0000 000 00000