
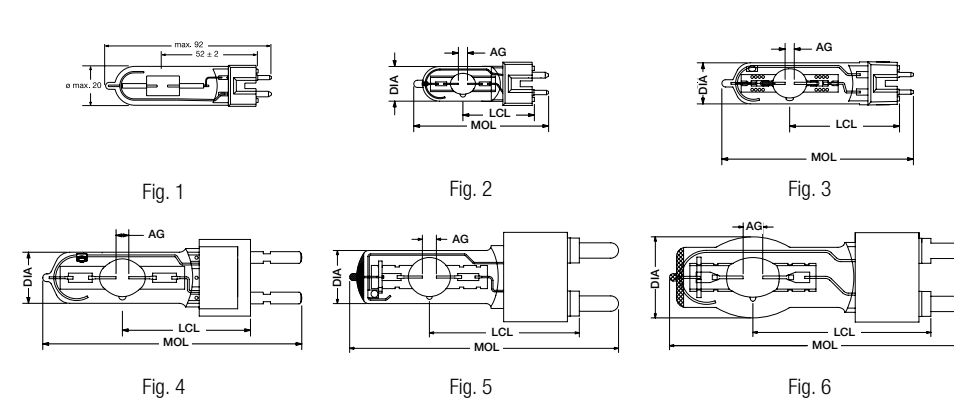



BRITEARC Single Ended Hot Restrike (BA SE HR)

BriteArc Single Ended Hot Restrike lamps are compact light sources, designed for optimum optical efficiency. The BriteArc lamps are filled with mercury and rare earth elements to obtain a high efficacy and a stable colour with a very good rendering index. They can be re-struck at any time with a voltage peak from 25 to 55 kV. These lamps can be operated in any position.

 <p>BA 200 SE HR FULL FROST BA 575 SE HR BA 1200 SE HR</p>	 <p>Fig. 1 Fig. 2 Fig. 3 Fig. 4 Fig. 5 Fig. 6</p>	
FEATURES <ul style="list-style-type: none"> • High luminous efficacy • Low infrared • Colour stability • Excellent lumen maintenance • Physical ruggedness • Hot restrike 	APPLICATIONS <ul style="list-style-type: none"> • TV-Studio lighting • Photo studios • Show lighting • Theatre • Follow spots 	DIRECTIONS FOR USE <ul style="list-style-type: none"> • Burning position: universal • Only use in closed fixtures • Can be operated on an electronic power supply or on a magnetic ballast
 <p>Frosted top</p>	<p>200W to 1600W</p>	

Item description	Watt	Voltage	Current	Ignition	Average	Replacement	Luminous	Colour	CRI	Total
	W	V	A	Pulse kV	Life hrs	Time hrs	Flux lm	Temp. K		UV-output W
BA 200 SE HR LCL 3200K	200	70	2.7	25.0	1000	1500	19000	3200	88	UV-STOP
BA 200 SE HR LCL 5600K	200	70	3.3	25.0	200	450	15000	5600	95	UV-STOP
BA 200 SE HR	200	70	3.3	25.0	200	450	15000	5600	95	UV-STOP
BA 200 SE HR FULL FROST	200	70	3.3	25.0	200	450	15000	5600	95	UV-STOP
BA 400 SE HR	400	67	6.9	25.0	650	750	33000	6200	92	UV-STOP
BA 400 SE HR FULL FROST	400	67	6.9	25.0	650	750	33000	6200	92	UV-STOP
BA 575 SE HR	575	95	6.9	25.0	750	1000	49000	5600	90	UV-STOP
BA 575 SE HR DIM 3200K	575	67	6.9-8	25.0	650	750	40000	3200	90	UV-STOP
BA 800 SE HR	800	95	8.5	25.0	1000	1500	64000	6000	95	UV-STOP
BA 1200 SE HR	1200	100	13.8	45.0	750	1000	110000	6000	95	UV-STOP
BA 1600 SE HR	1600	110	16.7	45.0	500	750	145000	5600	95	UV-STOP
BA 1800 SE HR	1800	100	20	45	750	850	170000	6000	>90	225
BA 2500 SE HR	2500	115	25.6	45.0	500	750	240000	6000	95	200
BA 4000 SE HR	4000	200	24.0	50.0	500	750	380000	6300	95	150

Item description	Cap	Dimensions				Max. bulb Temp. C°	Max. pinch Temp. C°	Figure Nr.	Packing Quantity	Ordering Code
		MOL mm	AG mm	Dia mm	LCL mm					
BA 200 SE HR LCL 3200K	GZY9.5	92	-	20	52	700	350	1	10	0023940
BA 200 SE HR LCL 5600K	GZY9.5	90	5	20	52	700	350	1	10	0023944
BA 200 SE HR	GZY9.5	80	5	20	39	700	350	2	10	0023941
BA 200 SE HR FULL FROST	GZY9.5	80	5	20	39	700	350	2	10	0023803
BA 400 SE HR	GZZ9.5	110	6	23	60	700	350	3	10	0023883
BA 400 SE HR FULL FROST	GZY9.5	110	6	23	60	700	350	3	10	0023990
BA 575 SE HR	G22	145	7	30	70	700	350	4	10	0023932
BA 575 SE HR DIM 3200K	GZZ9.5	110	4	30	60	700	350	4	10	0023892
BA 800 SE HR	G22	145	7	31	70	700	350	4	10	0023992
BA 1200 SE HR	G38	200	10	40	107	700	350	5	10	0023933
BA 1600 SE HR	G38	200	10	40	107	700	350	5	1	0023893
BA 1800 SE HR	G38	200	10	40	107	700	350	5	1	0023810
BA 2500 SE HR	G38	240	14	60	127	700	450	6	1	0023934
BA 4000 SE HR	G38	250	20	75	142	700	450	6	1	0023937

Nominal values measured at rated wattage in horizontal position.