

Technical Information

No. FO 5798

Edition: 11/14 - subject to change

Supersedes: 07/14

Status: valid

Mercury Discharge Lamp

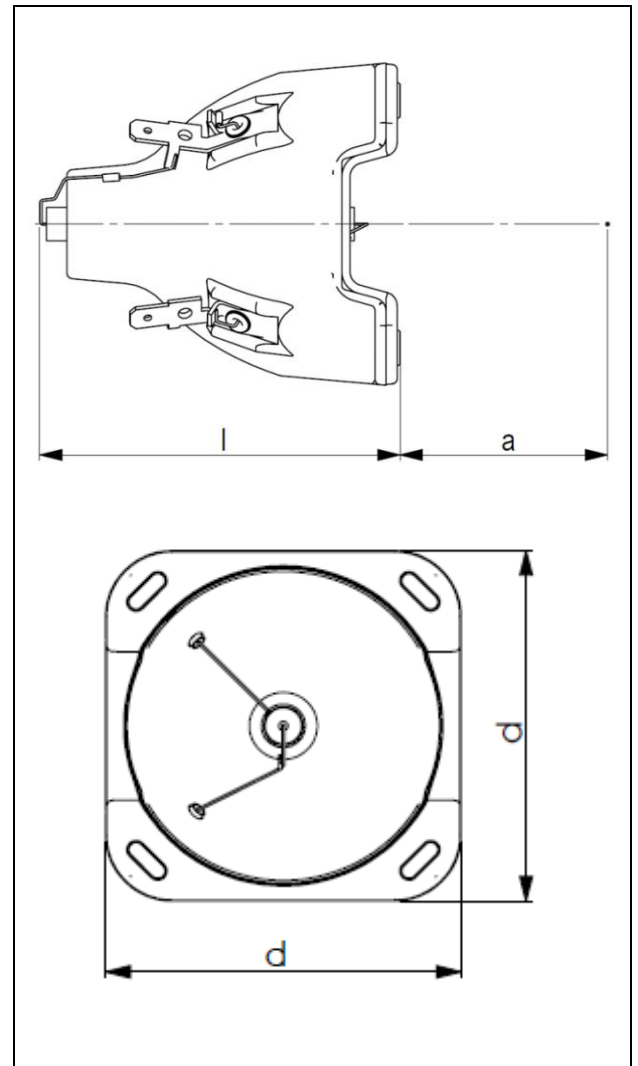
SIRIUS HRI[®] 330W X8

■ Product description

The OSRAM SIRIUS HRI[®] 330W X8 with its focusing dichroic reflector is highly efficient and optimized for entertainment fixtures. The distance between the reflector's alignment plane and the second focal point (working distance) is 37,4mm. Main applications of the SIRIUS HRI[®] 330W X8 are moving head projectors.

■ Technical data

Order reference		SIRIUS HRI [®] 330W X8
Rated lamp wattage	W	330
Rated lamp voltage	V	65
Rated lamp current (square)	A	5
Ignition voltage (cold/hot)	kV _s	2.5
Color temperature	K	8,000
Electrode gap	mm	1.2
Lamp length (overall) l	mm	max. 66
Reflector diameter d	mm	58
Working distance a	mm	37.4
Average service life	h	1,500
Initial luminous flux	lm	12,800
CRI		85



■ Lamp operation

Burning position	any
Electrical connection	Tyco FASTON 187 compatible tab terminal, along with threaded screw hole for M3 screw; flat pin connector possible.
Cooling	forced cooling required (refer to system specification)
Lamp driver	For best luminous efficiency and maintenance results, the SIRIUS HRI [®] 330W should be operated only with accordingly qualified electronic power supplies (e.g. use of OSRAM PT SIRIUS 330, or equivalent ECG).