

Technical Information

No. FO 4887

Edition: 02/02 - subject to change without notice

Supersedes: 09/01

Status: valid

Metal Halide Lamp

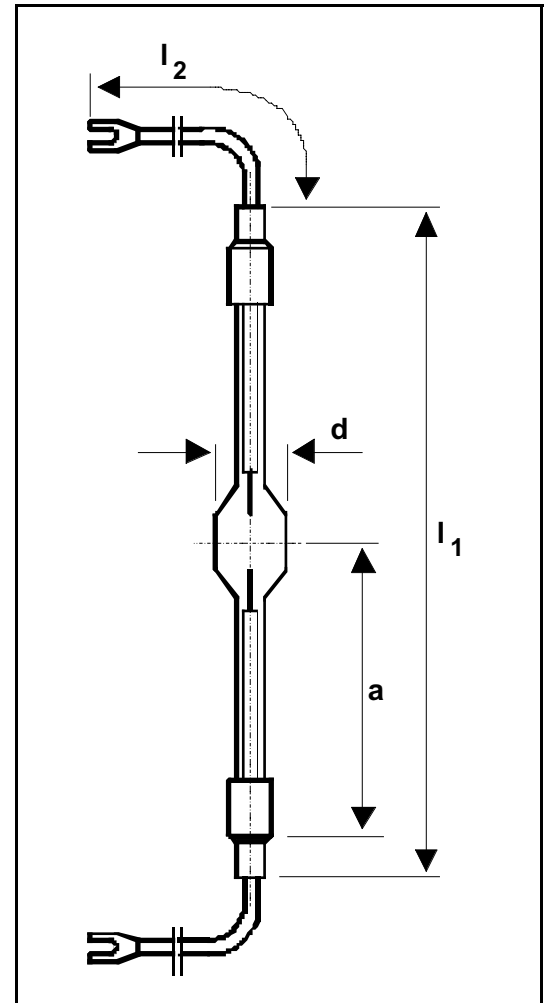
HMD[®] 2500

■ Product description

The OSRAM HMD[®] 2500 is a double ended metal halide lamp of the high power stage. This lamp is characterized by a high luminance, hot restrike ability and - with 2000 hours - a long service life. The special ceramic bases with cable enable simple mounting while maintaining precise adjustment in optical systems.

■ Technical data

Lamp / order reference		HMD [®] 2500
Rated wattage	W	2,500
Rated voltage	V	115
Ignition voltage (cold / hot)	kV	9 / max. 45
Lamp current (~)	A	26
Luminous flux	lm	270,000
Luminous efficacy	lm/W	100
Color temperature	K	6,000
Electrode gap e (cold)	mm	25
LCL a	mm	108
Lamp length l_1	mm	max. 295
Cable length l_2	mm	ca. 210
Bulb diameter d	mm	31.5
Average service life	h	2,000
Base		special with cable



■ Lamp operation

Maximum permissible base temperature	°C	350
Cooling	Convection / Forced cooling (depending on set-up)	
Burning position	horizontal, p 45	

■ Manufacturers of igniters and control gear (not all officially approved by OSRAM)

Igniters: BAUCH 905 and 922, Vagnini 25100K

Ballasts: Power Gems EB 250 and 250 CD, Vagnini AL 2500

ECGs: May & Christe HMI 2500W-5i, LEJ ebm 2500, DESISTI 2425