

Edition: 05/06 - subject to change

Supersedes: /
Status: valid

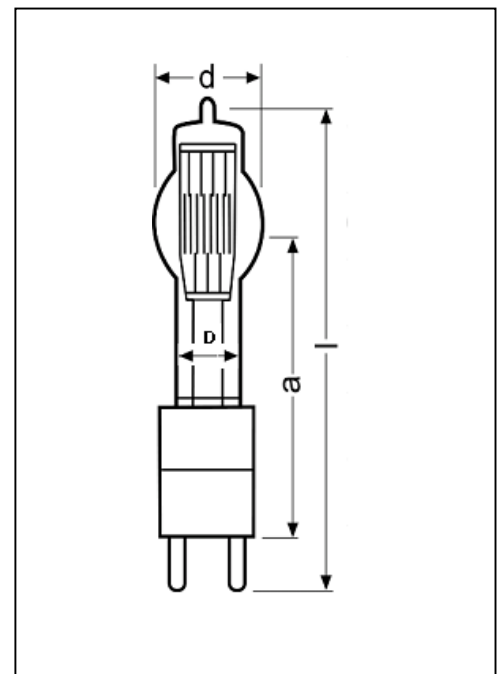
64805 (230/240V)

■ Product description

The OSRAM 64805 is mainly used for studio and film production and often fitted into Fresnel luminaires.

■ Technical Data

Lamp / order reference		64805
ANSI		-
LIF		CP/85
Rated lamp wattage	W	5000
Rated lamp voltage	V	230/240
Average life-time	h	400
Color temperature	K	3200
Luminous flux	lm	135000
Luminous efficiency	Lm/ W	27
Base		G38
Diameter d/ D	mm	61/40
Lamp length l	mm	265 max.
LCL a	mm	165 ± 2
Filament dimensions (w x h)	mm	26 x 33
Type of coil		biplan



■ Lamp operation

Max. pinch seal temperature	°C	350°C max.
Burning position		s45
Fuse protection		25A quick