



product details

## 64796 CP/91 2500W 230V G22 FS1



Product description: 64796 CP/91 2500W 230V G22 FS1  
 Product code: 4050300406428  
 Quantity: Folding carton box (FS) contains 1 Piece (PCE)

Applications	
Burning position	s90

Categorizations	
LIF	CP/91

General Description	
Base (standard designation)	G22

Logistical Data	
Product weight	87 g

Technical - Electrical Data	
Construction wattage	2500
Construction voltage	230 V
Lamp voltage	230 V
Nominal voltage	230 V

Technical - Geometries	
Diameter	35 mm
Filament length	20.00 mm
Light centre length (LCL)	90 mm
Illuminated field	20.0*19.0 mm <sup>2</sup>
Length	175.00 mm
Filament diameter	19.0 mm

Technical - Lifespan	
Lifespan	400 h

Technical - Light Technical Data	
Luminous flux	65000 lm
Color temperature	3200 K
Luminous efficacy	26 lm/W

Technical - Temperatures	
Maximum permissible ambient temperature	350 °C

Packaging units				
Product code	Packaging type and content	Dimensions in h x w x l	Gross weight	Volume
4050300406428	Folding carton box contains 1 Piece	71,000 mm x 71,000 mm x 198,000 mm	188,000 g (0,000 g)	1,026 Cubic dec.
4050300406435	Shipping carton box contains 20 Piece	300,000 mm x 225,000 mm x 370,000 mm	4.328,000 g (0,000 g)	27,523 Cubic dec.





product details

**64796 CP/91 2500W 230V G22 FS1**

**Literature**

A summary of studio lamps can be found on the halogen studio lamps poster

For more information on halogen lamps for studio, stage and TV see the brochure "Good news for show business" and our cross-reference-list "Halogen High Voltage Lamps".

## Technical Information

No. DO-5341



product details

64796 CP/91 2500W 230V G22 FS1

Tungsten Halogen  
single ended

Edition: 05/06 - subject to change

Supersedes: /

Status: valid

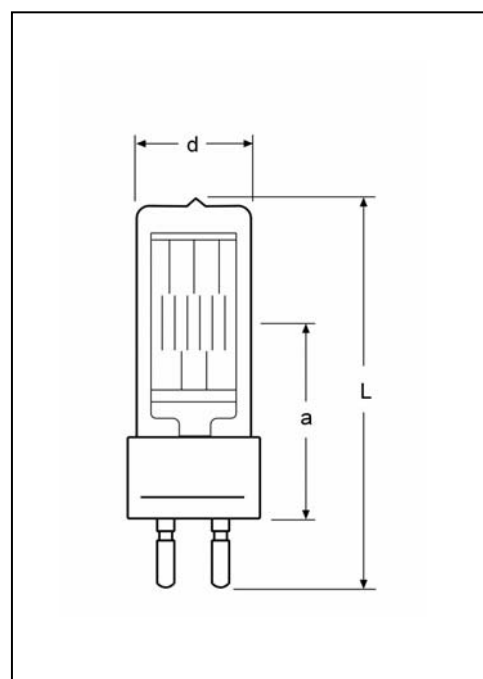
# 64796 (230V)

### ■ Product description

The OSRAM 64796 is mainly used for studio and theatre lighting as well as film production and fitted into Fresnel, Profile, PC Spot and Follow Spot luminaires.

### ■ Technical Data

Lamp / order reference	64796	
ANSI	-	
LIF	CP/91	
Rated lamp wattage	W	2500
Rated lamp voltage	V	230
Average life-time	h	400
Color temperature	K	3200
Luminous flux	lm	65000
Luminous efficacy	lm/W	26
Base	G22	
Diameter d	mm	34 ± 1
Lamp length L	mm	max. 175
LCL a	mm	90 ± 2
Filament dimensions (w x h)	mm	20 x 19
Type of coil	biplan	



### ■ Lamp operation

Max. pinch seal temperature	°C	350°C max.
Burning position	s90	
Fuse protection	10A quick	