



Detalles de producto **93728 LL HPL**



Nombre: 93728 LL HPL
 Nro de Producto: 4008321090102
 Cantidad solicitada: Estuche de cartón (FS) contiene 1 Unidad (ST)

El producto se encuentra en el catálogo de OSRAM bajo:

Aplicaciones	
Enfriamiento	Convección
Posición de funcionamiento	Universal

Categorizations	
NAED	54603

Descripción general	
Casquillo (denominación estándar)	2PIN

Datos logísticos	
Peso del producto	56,500 g

Datos técnicos eléctricos	
Tensión de construcción	230 V
Potencia de construcción	575 W

Geometrías	
Diámetro	19 mm
Longitud con casquillo pero sin pitones/	98 mm
Longitud del filamento	14.50 mm
Distancia al centro del cuerpo luminoso	60.3 mm
Campo iluminado	14.5*11.0 mm ^{2 1)}
Longitud	104 mm
Diámetro del filamento	11.0 mm

Duración	
Duración	1500 h

Datos técnicos de iluminación	
Flujo luminoso en lm	11780 lm
Temperatura de color	3050 K
Eficacia luminosa en lm/W	21 lm/W

Temperaturas	
Temperatura máx. admisible en la tempera	350 °C

Opciones de embalaje				
EAN: 	Tipo de embalaje y contenido	Dimensión en a x a x l	Peso bruto	Volumen
4008321090102	Estuche de cartón contiene 1 Unidad	48,000 mm x 42,000 mm x 131,000 mm	86,000 g (0,000 g)	0,264 dm3
4008321090119	Embalaje de envío contiene 12 Unidad	145,000 mm x 139,000 mm x 174,000 mm	947,000 g (0,000 g)	3,507 dm3





Detalles de producto **93728 LL HPL**

High-performance HPL halogen lamps are manufactured under license from ENTERTEC Inc., L.A. The special arrangement of the filament segments is matched to the Source Four spotlight family of ETC. This arrangement makes optimum use of the generated light and achieves the same useful luminous flux for which 1,000 W lamps had previously been required.

The QXL halogen lamp with the special bayonet base can be changed without tools and without opening the spotlight. This special base, equipped with XS technology, permits a base temperature of 500 °C. This patented lamp for entertainment and architecture applications has been developed in cooperation with Electronic Theatre Controls (ETC).

For more information on halogen Lok-it! lamps, please refer to the brochure: "Turn it. Take it. Change it. OSRAM Lok-it!. The fastest way of lamp replacement."

¹⁾ Type of filament 6-C8

Technical Information

No. DO-5348

Edition: 09/05 Detalles de producto subject to change 93728 LL HPL

Supersedes: -
Status: valid

Halogen Studio Lamp
single ended

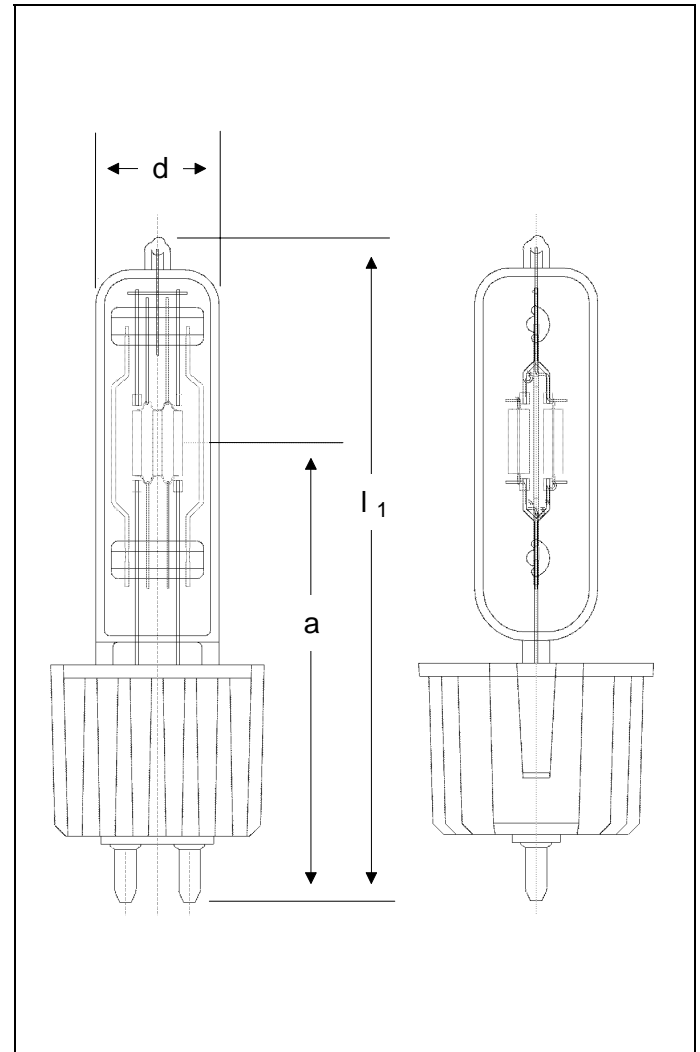
93728 LL HPL

■ Product Description

The OSRAM HPL 575W LL is the new **LOGLIFE** version (1500h) of the Halogen **High Performance Lamp** (HPL), which is manufactured under the licence of ENTERTEC Inc., L.A./USA. The particular arrangement of the filaments is designed for optimum performance in luminaries of the "Source Four" family from ETC.

■ Technical Data

Lamp / order reference	93728 LL HPL	
ANSI	HPL 575 LL	
Rated wattage	W	575
Operating voltage	V	230
Rated current	A	2,5
Luminous flux	lm	11.780
Luminous efficacy	lm/W	21
Colour temperature	K	3.050
Bulb diameter d	mm	19
Length l_1	mm	104
LCL a	mm	60,3
Luminous area b x h	mm	14,5 x 11
Average service life	h	1500
Filament type	6C-8	
Base	G 9,5 special (with heat sink)	



■ Lamp operation

Maximum base temperature allowed	°C	350
Cooling	convection	
Fusing	6,3 A	
Operating position	any	