
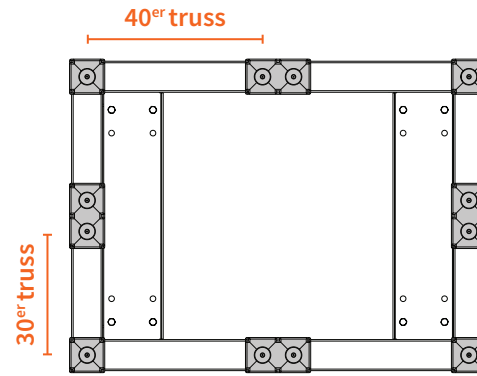
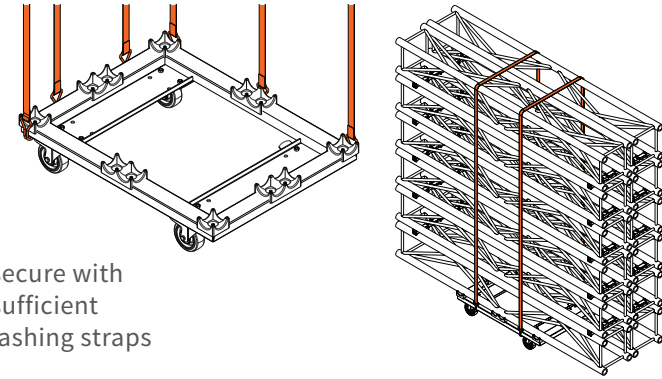


use

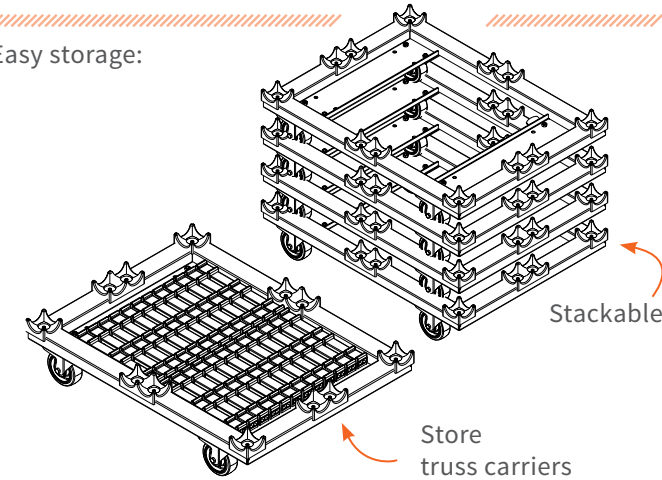
 For truss use only.
Admiral Castor Ø 100 mm = WLL 160 kg
Admiral Castor Ø 125 mm = WLL 200 kg



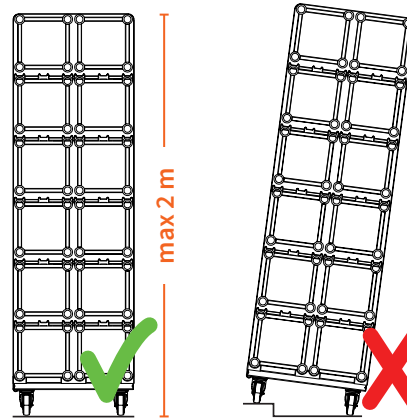
tips



Easy storage:



max 2 m

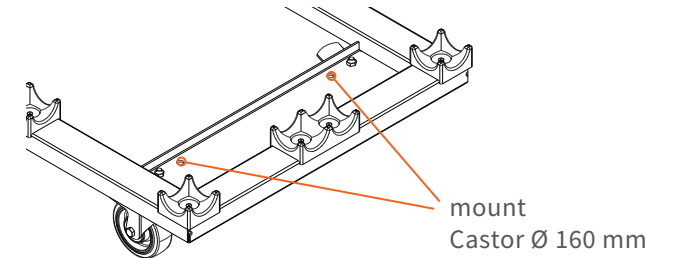
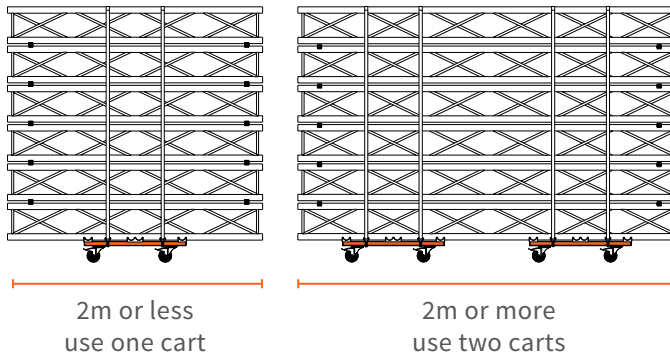


**ASSEMBLY KIT
STRONG BOY**

ZEM2SV34



2m or less use one cart **2m or more use two carts**



maintenance

Please do not use aggressive cleaning agents such as solvents and/or corrosive substances. Clean the product and a cloth with a soft detergent. After cleaning the product dry it with a soft cloth. Check the product for wear and tear and/or lost items. By wear and/or missing of the proper components this product should be taken out of service immediately. Consult your supplier for advise.